

Excellent Integrated System Limited

Stocking Distributor

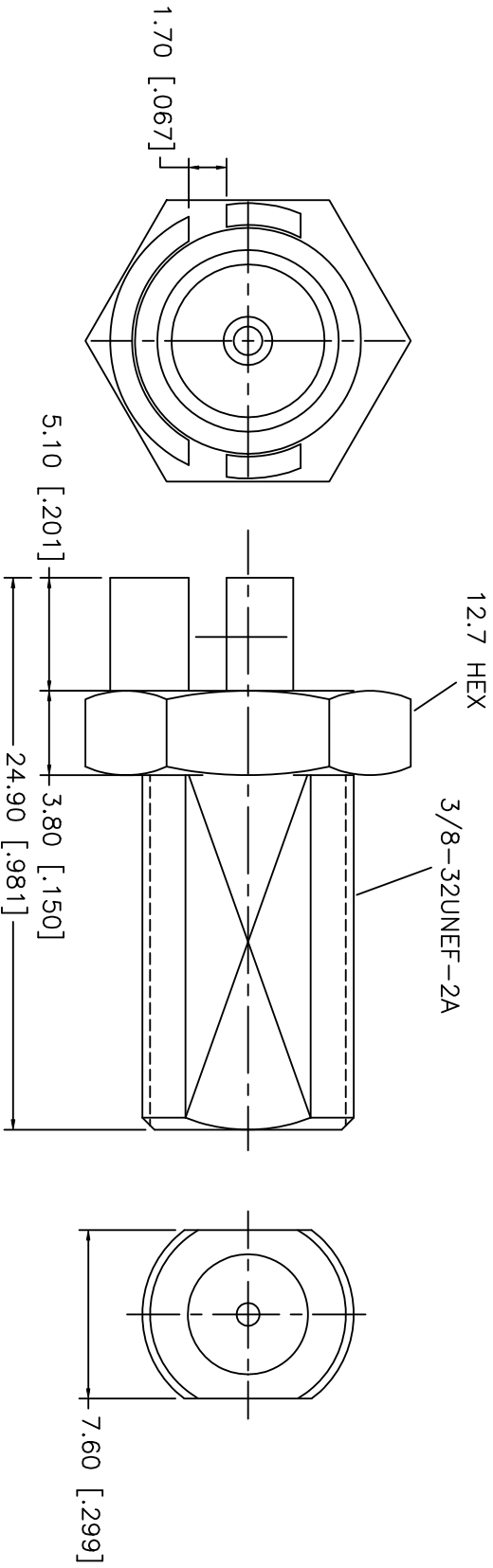
Click to view price, real time Inventory, Delivery & Lifecycle Information:

[Amphenol RF](#)
[222181](#)

For any questions, you can email us directly:

sales@integrated-circuit.com

REV.	DATE	DESCRIPTION
NC	08/07/02	INITIAL RELEASE



NOTE: RETURN LOSS SPECIFICATIONS:

1. 0.5 Ghz ~ 40db
2. 1.5 Ghz ~ 30db
3. 2.0 Ghz ~ 21.6db

8																				
7																				
6																				
5																				
4																				
3	CONTACT PIN	PHOS. BRONZE	BRT. TIN																	
2	INSULATOR	TEFLON	NATURAL																	
1	BODY	BRASS	BRT. TIN																	
	DESCRIPTION	MATERIAL	FINISH																	
				UNLESS OTHERWISE SPECIFIED DIMENSIONS ARE IN MILLIMETERS				APPROVALS				DATE				TITLE				
				DIMENSIONS IN [] ARE IN INCHES FOR CUSTOMER REFERENCE ONLY				DRAWN G.R.S.				08/07/02				Amphenol Connex F P.C.B. EDGE CARD RECEPTACLE				
				UNLESS OTHERWISE SPECIFIED TOLERANCES FOR INCHES ARE: .XXX = ± 0.005" .XX = ± 0.010" .X = ± 0.020"				CHECKED												
				DO NOT SCALE DRAWING				ISSUED												
								SCALE				PART NO.				SHEET				
								NA				222181				1 OF 1				
								SIZE				REV.								
								A				99001				NC				
								FSQM NO.				DWG. NO.								
												222181.DWG								