

Excellent Integrated System Limited

Stocking Distributor

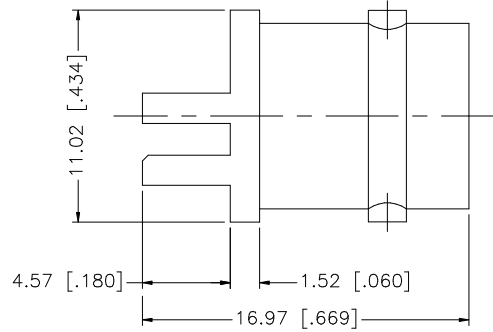
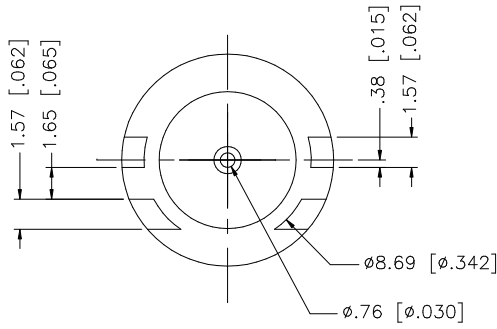
Click to view price, real time Inventory, Delivery & Lifecycle Information:

[Amphenol RF](#)
[112641](#)

For any questions, you can email us directly:

sales@integrated-circuit.com

| REV. | DATE | DESCRIPTION |
|------|----------|-----------------------|
| NC | 09/28/99 | INITIAL RELEASE |
| A | 07/19/05 | UPDATE DRAWING FORMAT |



| | | | | | | | | | | |
|---|-------------|--------------|---------|---------|---|-------------------------------|---------------------|-------------------------------------|--------|----------|
| 8 | | | | | <small>UNLESS OTHERWISE SPECIFIED DIMENSIONS ARE IN MILLIMETERS. DIMENSIONS IN [] ARE IN INCHES AND FOR CUSTOMER REFERENCE ONLY.</small> <small>UNLESS OTHERWISE SPECIFIED TOLERANCES FOR MILLIMETERS ARE:</small> 0.5 - 8mm ± 0.20mm 8 - 30mm ± 0.40mm 30 - 120mm ± 0.50mm <small>UNLESS OTHERWISE SPECIFIED TOLERANCES FOR INCHES ARE:</small> .020 - .315 = ± 0.007" .315 - 1.180 = ± 0.015" 1.180 - 4.724 = ± 0.020" | APPROVALS | DATE | Amphenol Connex | | |
| 7 | | | | DRAWN | | G.R.S. | 07/19/05 | | | |
| 6 | | | | CHECKED | | | | PART DESCRIPTION | | |
| 5 | | | | ISSUED | | | | BNC EDGE MOUNT RECEPT. JACK - 75ohm | | |
| 4 | | | | SHEET | | 1 OF 1 | | PART NO. | | |
| 3 | CONTACT PIN | PHOS. BRONZE | GOLD | 1 | | | | 112641 | | |
| 2 | INSULATOR | TEFLON | NATURAL | 1 | | | | | | |
| 1 | BODY | BRASS | NICKEL | 1 | | | | | | |
| | DESCRIPTION | MATERIAL | FINISH | QTY | DO NOT SCALE DRAWING | CAD FILE C:/112/112641.DWG | DWG. NO. 112641.DWG | REV. A | SIZE A | SCALE NA |