

Excellent Integrated System Limited

Stocking Distributor

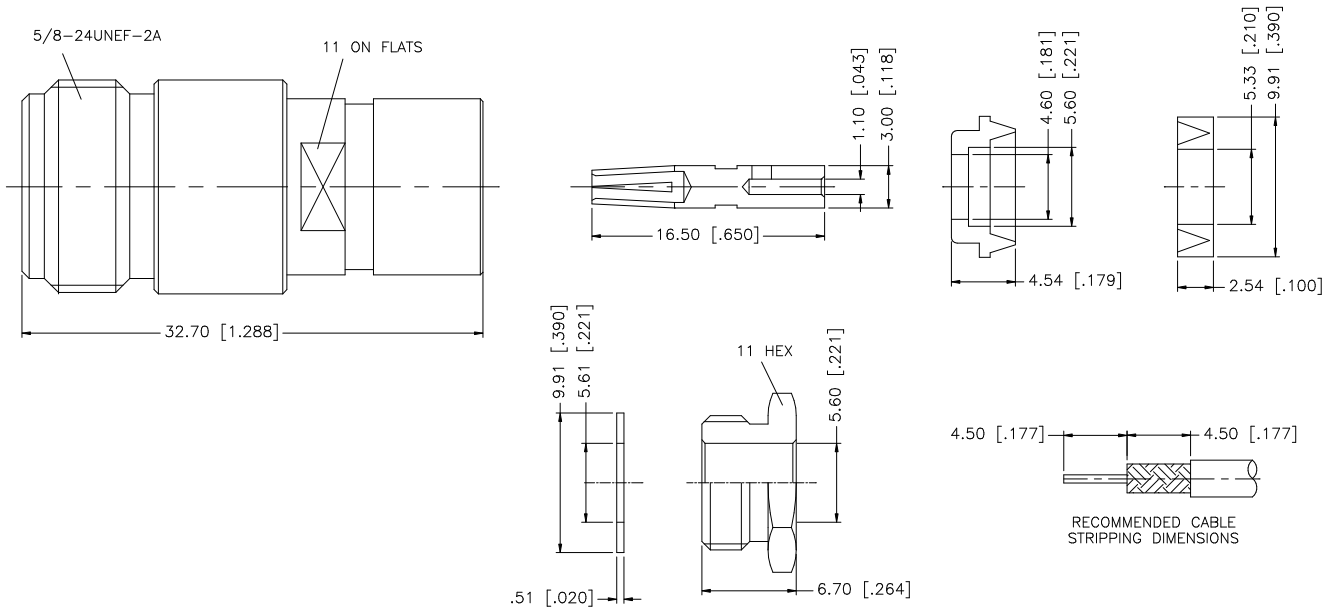
Click to view price, real time Inventory, Delivery & Lifecycle Information:

[Amphenol RF](#)
[172114](#)

For any questions, you can email us directly:

sales@integrated-circuit.com

REV.	DATE	DESCRIPTION
NC	07/05/06	INITIAL RELEASE



DESCRIPTION	MATERIAL	FINISH	QTY	DO NOT SCALE DRAWING	APPROVALS	DATE	<h2 style="color: blue; margin: 0;">Amphenol Connex</h2>
8							
7	HEX NUT	BRASS	NEXCOTE	1	DRAWN	G.R.S.	PART NO. 172114
6	WASHER	BRASS	NEXCOTE	1	CHECKED		
5	GASKET	SILICONE	RED	1	ISSUED		REV. NC SIZE A SCALE NA
4	BRAID CLAMP	BRASS	NEXCOTE	1	SHEET	1 OF 1	
3	CONTACT PIN	PHOS. BRONZE	GOLD	1	CAD FILE	C:/172/172114.DWG	
2	INSULATOR	TEFLON	NATURAL	1			
1	BODY	BRASS	NEXCOTE	1			

UNLESS OTHERWISE SPECIFIED DIMENSIONS ARE IN MILLIMETERS. DIMENSIONS IN [] ARE IN INCHES AND FOR CUSTOMER REFERENCE ONLY.

UNLESS OTHERWISE SPECIFIED TOLERANCES FOR MILLIMETERS ARE:
 0.5 - 8mm ± 0.20mm
 8 - 30mm ± 0.40mm
 30 - 120mm ± 0.50mm

UNLESS OTHERWISE SPECIFIED TOLERANCES FOR INCHES ARE:
 .020 - .315 = ± 0.007"
 .315 - 1.180 = ± 0.015"
 1.180 - 4.724 = ± 0.020"

PART DESCRIPTION

PART NO. 172114

DWG. NO. 172114.DWG REV. NC SIZE A SCALE NA