

Excellent Integrated System Limited

Stocking Distributor

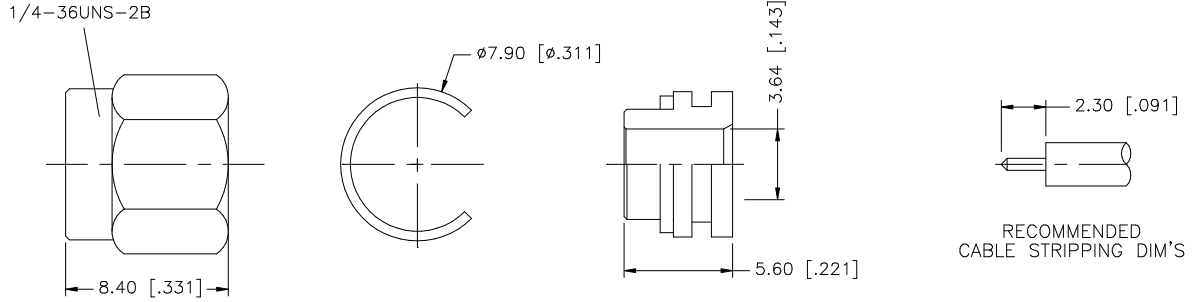
Click to view price, real time Inventory, Delivery & Lifecycle Information:

[Amphenol RF](#)
[132266](#)

For any questions, you can email us directly:

sales@integrated-circuit.com

REV.	DATE	DESCRIPTION
NC	05/11/99	INITIAL RELEASE
A	12/18/06	UPDATE DRAWING FORMAT



8				<small>UNLESS OTHERWISE SPECIFIED DIMENSIONS ARE IN MILLIMETERS; DIMENSIONS IN [] ARE IN INCHES AND FOR CUSTOMER REFERENCE ONLY.</small> <small>UNLESS OTHERWISE SPECIFIED TOLERANCES FOR MILLIMETERS ARE:</small> 0.5 - 8mm ± 0.20mm 8 - 30mm ± 0.40mm 30 - 120mm ± 0.50mm <small>UNLESS OTHERWISE SPECIFIED TOLERANCES FOR INCHES ARE:</small> .020 - .315 = ± 0.007" .315 - 1.180 = ± 0.015" 1.180 - 4.724 = ± 0.020"	APPROVALS	DATE	<h2 style="text-align: center;">Amphenol Connex</h2> <p style="text-align: center;">SMA DIRECT SOLDER PLUG (FOR .141" SEMI-RIGID, SHORT PROFILE CABLE)</p>	
7			DRAWN		G.R.S.	12/18/06		PART DESCRIPTION
6			CHECKED					PART NO.
5			ISSUED					132266
4			SHEET	1 OF 1		DWG. NO.		
3	RETAINER RING	BER. COPPER	NATURAL	1	DO NOT SCALE DRAWING	C:/132/132266.DWG	132266.DWG	
2	GASKET	SILICONE	RED	1			REV. A	
1	BODY	BRASS	NICKEL	1			SIZE A	
	DESCRIPTION	MATERIAL	FINISH	QTY			SCALE NA	