

## Excellent Integrated System Limited

Stocking Distributor

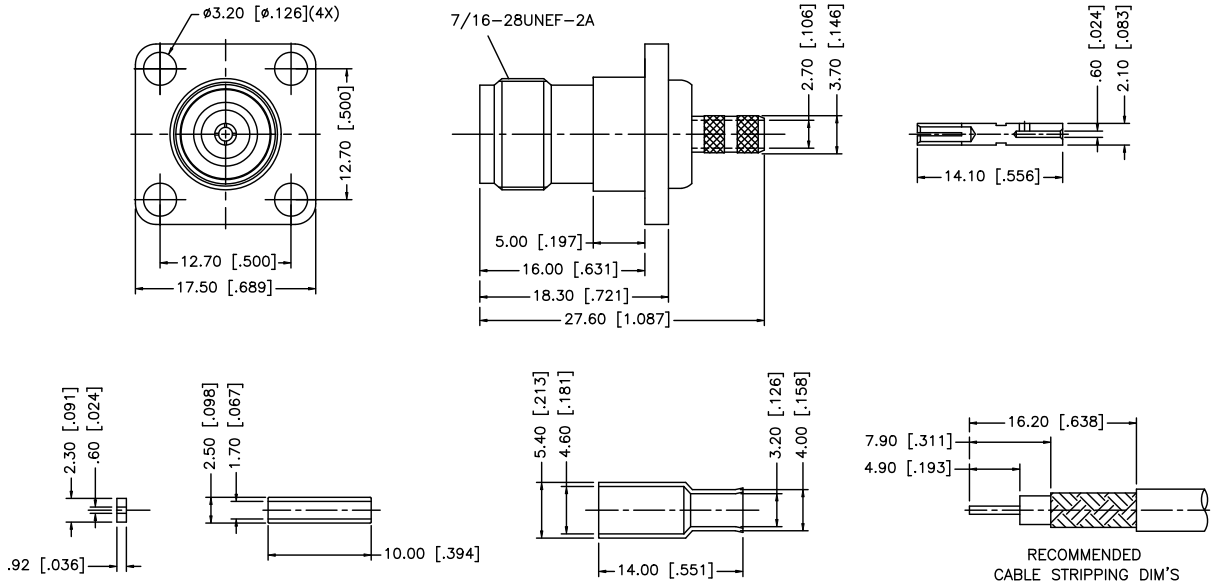
Click to view price, real time Inventory, Delivery & Lifecycle Information:

[Amphenol RF](#)  
[122379](#)

For any questions, you can email us directly:

[sales@integrated-circuit.com](mailto:sales@integrated-circuit.com)

REV.	DATE	DESCRIPTION
NC	04/01/08	INITIAL RELEASE



NOTE:  
 1. CRIMPED FERRULE HEX CRIMP SIZE .178"  
 2. CRIMPED CONTACT PIN HEX CRIMP SIZE .068"

DESCRIPTION	MATERIAL	FINISH	QTY	APPROVALS	DATE	<h1 style="color: blue; margin: 0;">Amphenol Connex</h1>	
8							PART DESCRIPTION <b>TNC PANEL CRIMP JACK            FOR RG-316 DOUBLE BRAID</b>
7	FERRULE	BRASS	NICKEL	1	DRAWN G.R.S.	04/01/08	
6	SLEEVE	TEFLON	NATURAL	1	CHECKED		PART NO. <b>122379</b>
5	SPACER	BRASS	NICKEL	1	ISSUED		
4	CONTACT PIN	PHOS. BRONZE	GOLD	1	SHEET	1 OF 1	DWG. NO. 122379.DWG REV. NC SIZE A SCALE NA
3	BODY	BRASS	NICKEL	1	CAD FILE	C:/122/122379.DWG	
2	INSULATOR	DELTRIN	NATURAL	1			
1	HOUSING	BRASS	NICKEL	1			
<small>UNLESS OTHERWISE SPECIFIED DIMENSIONS ARE IN MILLIMETERS. DIMENSIONS IN [ ] ARE IN INCHES AND FOR CUSTOMER REFERENCE ONLY.</small> <small>UNLESS OTHERWISE SPECIFIED TOLERANCES FOR MILLIMETERS ARE:            0.5 - 8mm ± 0.20mm            8 - 30mm ± 0.40mm            30 - 120mm ± 0.50mm</small> <small>UNLESS OTHERWISE SPECIFIED TOLERANCES FOR INCHES ARE:            .020 - .315 = ± 0.007"            .315 - 1.180 = ± 0.015"            1.180 - 4.724 = ± 0.020"</small>				DO NOT SCALE DRAWING			