

## **Excellent Integrated System Limited**

Stocking Distributor

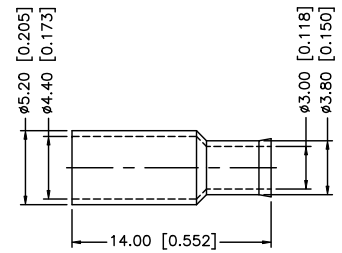
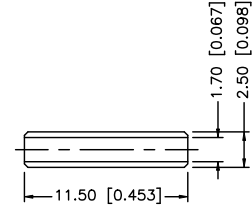
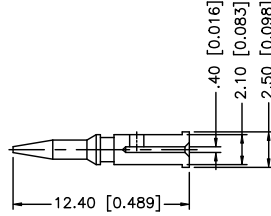
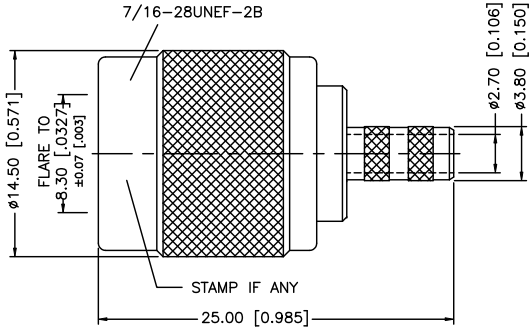
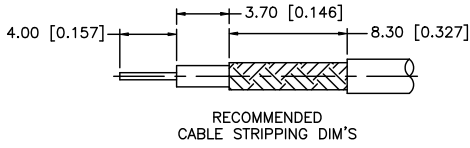
Click to view price, real time Inventory, Delivery & Lifecycle Information:

[Amphenol RF](#)  
[122117](#)

For any questions, you can email us directly:

[sales@integrated-circuit.com](mailto:sales@integrated-circuit.com)

REV.	DATE	ECR NO.	DESCRIPTION
NC	04/22/07	-	INITIAL RELEASE
A	10/15/08	-	REVISE 174/U TO 179/U CABLE CALL OUT.



NOTES:

1. CRIMPED FERRULE HEX CRIMP SIZE .178" [4.52]
2. CRIMPED CONTACT PIN HEX CRIMP SIZE .068" [1.73]

DESCRIPTION	MATERIAL	FINISH	QTY	UNLESS OTHERWISE SPECIFIED DIMENSIONS ARE IN MILLIMETERS; DIMENSIONS IN [ ] ARE IN INCHES AND FOR CUSTOMER REFERENCE ONLY.	APPROVALS	DATE	<h1 style="color: blue;">Amphenol Connex</h1>
8					DRAWN	G.R.S.	
7					CHECKED		
6					ISSUED		
5	FERRULE	COPPER	NICKEL	1	SHEET	1 OF 1	
4	SLEEVE	DELTRIN	NATURAL	1			
3	INSULATOR	DELTRIN	NATURAL	1			
2	CONTACT PIN	BRASS	GOLD	1			
1	SHELL/BODY	BRASS	NICKEL	1			
				UNLESS OTHERWISE SPECIFIED TOLERANCES FOR MILLIMETERS ARE: 0.5 - 8mm ± 0.20mm 8 - 30mm ± 0.40mm 30 - 120mm ± 0.50mm UNLESS OTHERWISE SPECIFIED TOLERANCES FOR INCHES ARE: .020 - .315 = ± 0.007" .315 - 1.180 = ± 0.015" 1.180 - 4.724 = ± 0.020"	DO NOT SCALE DRAWING		
					CAD FILE	C:/122/122117.DWG	
					DWG. NO.	122117.DWG	
					REV.	A	
					SIZE	A	
					SCALE	NA	
					PART DESCRIPTION		
					TNC CRIMP PLUG (FOR RG-179/U, 187/U, B9221 CABLE)		
					PART NO.		
					122117		