

Excellent Integrated System Limited

Stocking Distributor

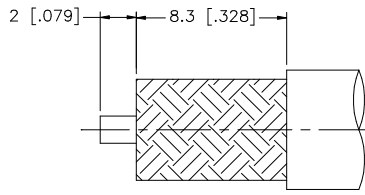
Click to view price, real time Inventory, Delivery & Lifecycle Information:

[Amphenol RF](#)
[132240RP](#)

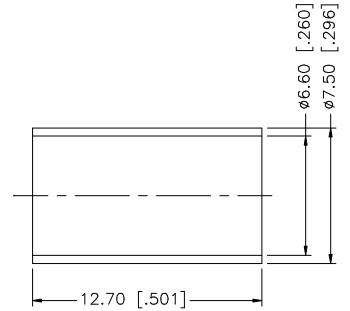
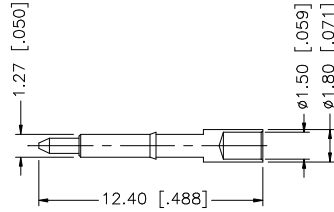
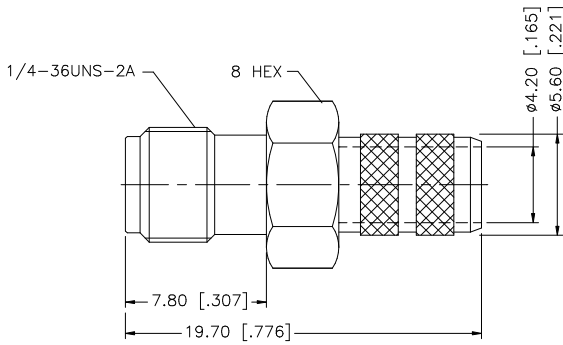
For any questions, you can email us directly:

sales@integrated-circuit.com

REV.	DATE	DESCRIPTION
NC	01/08/07	INITIAL RELEASE



RECOMMENDED
CABLE STRIPPING DIM'S



NOTE:

1. CRIMPED FERRULE HEX CRIMP SIZE .255.
2. CONTACT PIN TO SOLDER.

8	UNLESS OTHERWISE SPECIFIED DIMENSIONS ARE IN MILLIMETERS; DIMENSIONS IN [] ARE IN INCHES AND FOR CUSTOMER REFERENCE ONLY.			APPROVALS	DATE	Amphenol Connex
7				DRAWN	G.R.S.	
6				CHECKED		PART DESCRIPTION SMA REVERSE POLARITY CRIMP JACK (FOR RG-8/X, LMR240)
5				ISSUED		
4	FERRULE	COPPER	GOLD	1	SHEET	PART NO. 132240RP
3	CONTACT PIN	BER. COPPER	GOLD	1		
2	INSULATOR	TEFLON	NATURAL	1	CAD FILE C:/132/132240RP.DWG	DWG. NO. 132240RP.DWG
1	BODY	BRASS	GOLD	1		
	DESCRIPTION	MATERIAL	FINISH	QTY	DO NOT SCALE DRAWING	REV. NC

UNLESS OTHERWISE SPECIFIED DIMENSIONS ARE IN MILLIMETERS; DIMENSIONS IN [] ARE IN INCHES AND FOR CUSTOMER REFERENCE ONLY.

UNLESS OTHERWISE SPECIFIED TOLERANCES FOR MILLIMETERS ARE:
 0.5 - 8mm ± 0.20mm
 8 - 30mm ± 0.40mm
 30 - 120mm ± 0.50mm

UNLESS OTHERWISE SPECIFIED TOLERANCES FOR INCHES ARE:
 .020 - .315 = ± 0.007"
 .315 - 1.180 = ± 0.015"
 1.180 - 4.724 = ± 0.020"

REV.	NC	SIZE	A	SCALE	NA
------	----	------	---	-------	----