

## Excellent Integrated System Limited

Stocking Distributor

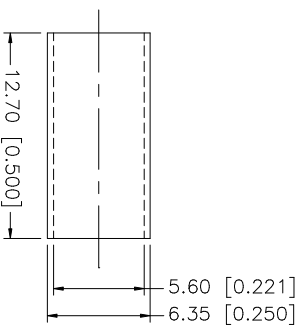
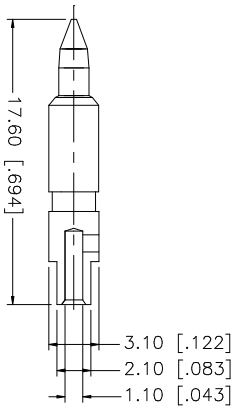
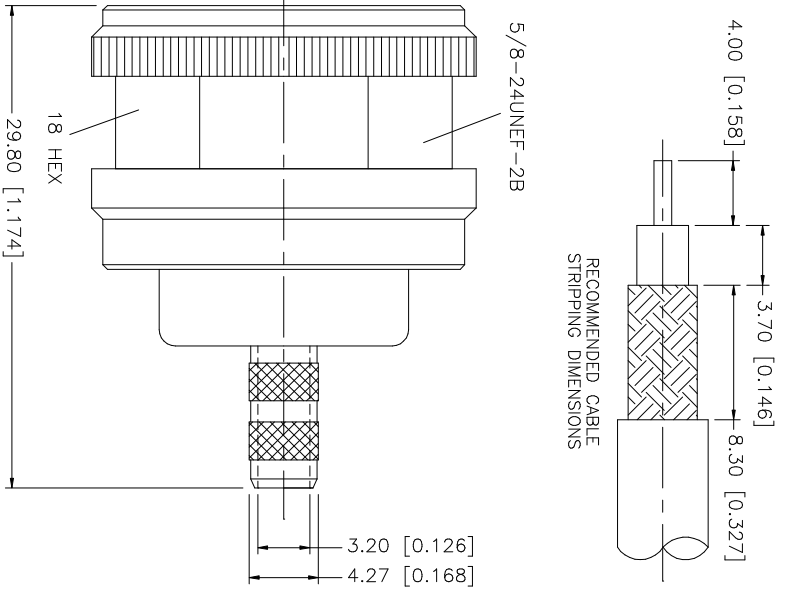
Click to view price, real time Inventory, Delivery & Lifecycle Information:

[Amphenol RF](#)  
[172142-11](#)

For any questions, you can email us directly:

[sales@integrated-circuit.com](mailto:sales@integrated-circuit.com)

REV.	DATE	DESCRIPTION
A	05/24/04	UPDATE DRAWING FORMAT



CRIMP NOTES:

1. CRIMPED FERRULE  
HEX CRIMP SIZE ".213"
2. CRIMPED CONTACT PIN  
HEX CRIMP SIZE ".068"

QTY	DESCRIPTION	MATERIAL	FINISH	QTY	DO NOT SCALE DRAWING	APPROVALS	DATE	DWG. NO.	REV.	SIZE	SCALE
1	DESCRIPTION	MATERIAL	FINISH	1	DO NOT SCALE DRAWING			172142-11.DWG	A	A	NA
1	BODY	BRASS	NEXCOTE	1							
1	BARREL	BRASS	NEXCOTE	1							
1	INSULATOR	TEFLON	NATURAL	1							
1	GASKET	SILICON	RED	1							
1	CONTACT PIN	BRASS	GOLD	1							
1	FERRULE	BRASS	NEXCOTE	1							

**Amphenol Connex**

N CRIMP PLUG  
 (FOR RG-55/U, 142A/U, 223/U, 400/U CABLE)

PART NO. 172142-11

APPROVALS	DATE
DRAWN G.R.S.	05/24/04
CHECKED	
ISSUED	
SHEET 1 OF 1	

UNLESS OTHERWISE SPECIFIED DIMENSIONS ARE IN MILLIMETERS. DIMENSIONS IN [ ] ARE IN INCHES AND FOR CUSTOMER REFERENCE ONLY.  
 UNLESS OTHERWISE SPECIFIED TOLERANCES FOR MILLIMETERS ARE:  
 0.5 - 8mm ± 0.20mm  
 8 - 30mm ± 0.40mm  
 30 - 120mm ± 0.50mm  
 UNLESS OTHERWISE SPECIFIED TOLERANCES FOR INCHES ARE:  
 .020 - .315 = ± 0.007"  
 .315 - 1.180 = ± 0.015"  
 1.180 - 4.724 = ± 0.020"

CAD FILE C:/172/172142-11.DWG