

## **Excellent Integrated System Limited**

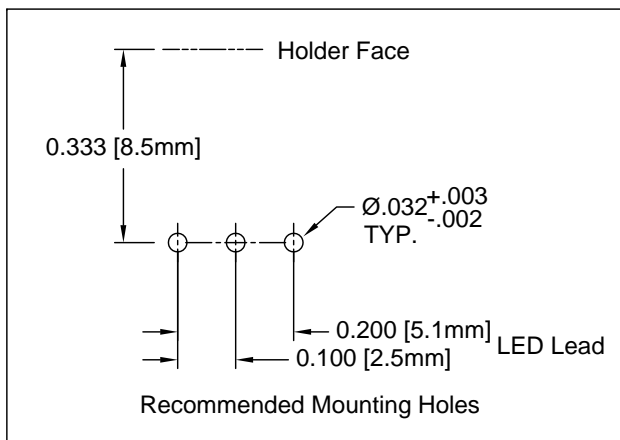
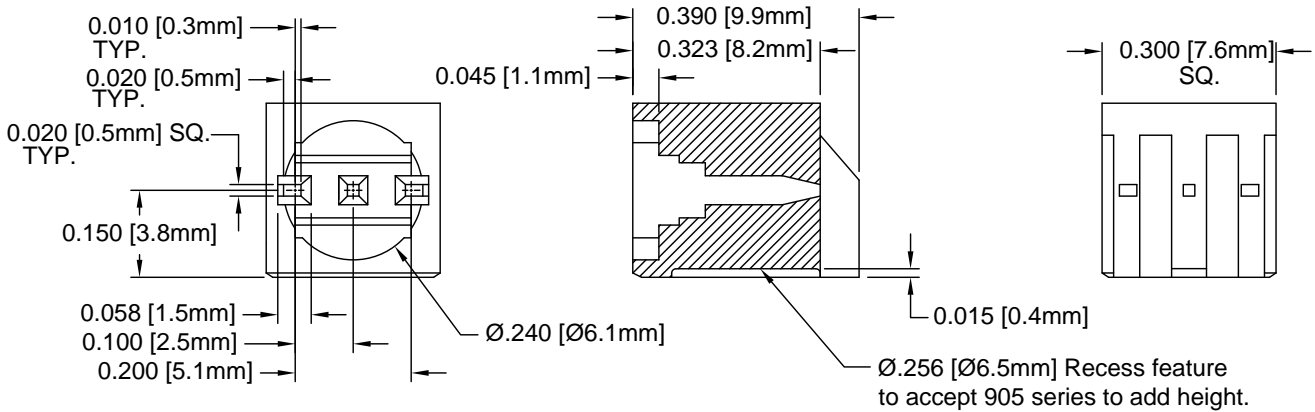
Stocking Distributor

Click to view price, real time Inventory, Delivery & Lifecycle Information:

[Bivar, Inc.](#)  
[920-300](#)



For any questions, you can email us directly:  
[sales@integrated-circuit.com](mailto:sales@integrated-circuit.com)

REV.	DESCRIPTION	DATE	APPROVED
B	Engineering Update w/o Changes	02/23/04	M. C.
C	Updated Recommended Mounting Holes	08/31/07	M. C.
D	Removed Material Code	05/28/16	J. C.



2. MATERIAL: NYLON 6/6, 94V-2, NATURAL.

1. GENERAL SPECIFICATIONS: BIVAR MOLDED COMPONENT SPECIFICATION BV00-E101.

STANDARD TOLERANCE (UNLESS OTHERWISE SPECIFIED)		 <b>BIVAR</b> <sup>®</sup> 4 THOMAS, IRVINE, CA. 92618 TEL: (949) 951-8808 FAX: (949) 951-3974	
DECIMALS	ANGULAR		
.X ±.1	X° ±1°	<b>TITLE:</b> SINGLE T-1(3mm) LED HOLDER	
.XX ±.01		<b>DESIGNED:</b> D. Green	<b>DATE:</b> 07/14/03
.XXX ±.005		<b>PART NO:</b> 920-300	
		<b>CHECKED:</b> M. Chen	<b>DATE:</b> 07/14/03
		<b>CAGE CODE :</b> 32559 <b>SHEET # 1 OF 1</b>	
<small>CAD GENERATED DOCUMENT. DO NOT MEASURE DRAWING.</small>			