

Excellent Integrated System Limited

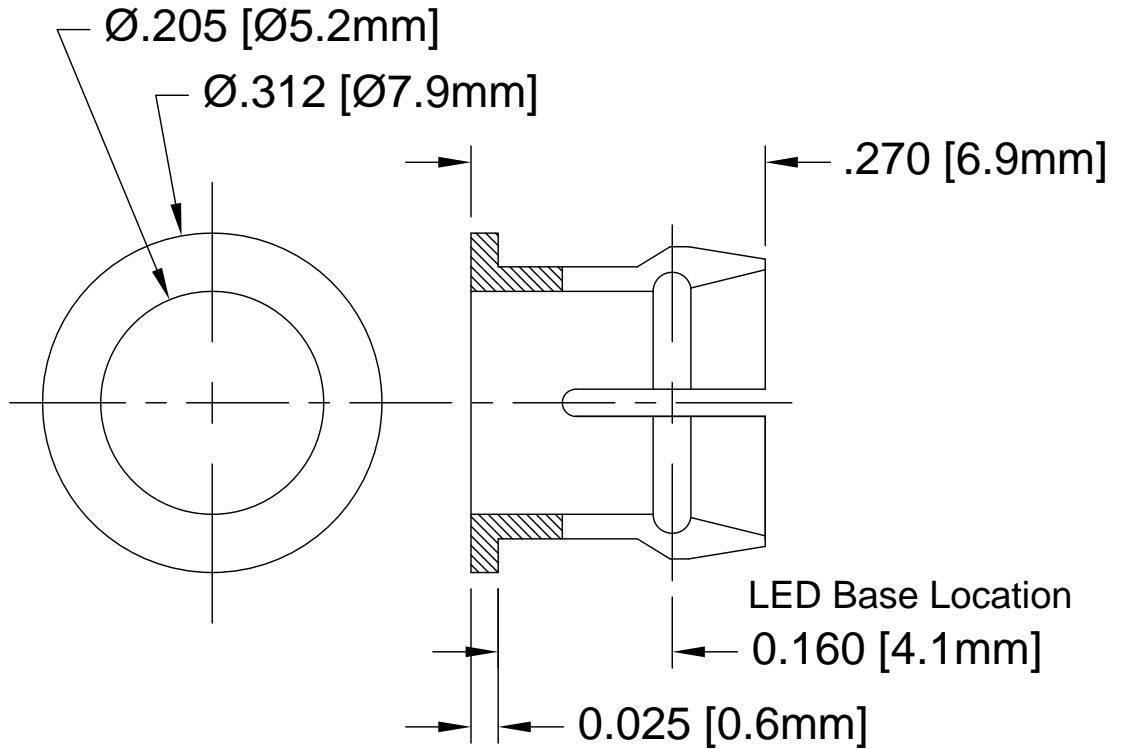
Stocking Distributor

Click to view price, real time Inventory, Delivery & Lifecycle Information:

[Bivar, Inc.](#)
[C-175](#)

For any questions, you can email us directly:
sales@integrated-circuit.com

REV#	DESCRIPTION	DATE	APPROVED
A	Engineering Release	02/09/05	M. C.
B	Corrected Part Number	11/02/06	M. C.
C	Overall Length Change to 0.270"	11/29/07	M. C.
D	Removed Material Code	05/28/16	J. C.



2. MATERIAL: NYLON 6/6, 94V-0, BLACK.

1. GENERAL SPECIFICATIONS: BIVAR MOLDED COMPONENT SPECIFICATION BV00-E101.

STANDARD TOLERANCE (UNLESS OTHERWISE SPECIFIED) DECIMALS ANGULAR .X ±.1 X° ± 1° .XX ±.01 .XXX ±.005		 4 THOMAS, IRVINE, CA. 92618 TEL: (949) 951-8808 FAX: (949) 951-3974	
DESIGNED: D. Green CHECKED: T. Yin		TITLE: CLIP FOR SMALL FLANGE T-1¼ (5mm) LED HOLDER PART NO: C-175 CAGE CODE : 32559 SHEET # 1 OF 1 REVISION: D DATE: 02/09/05 DATE: 02/09/05	
<small>CAD GENERATED DOCUMENT. DO NOT MEASURE DRAWING.</small>			