

Excellent Integrated System Limited

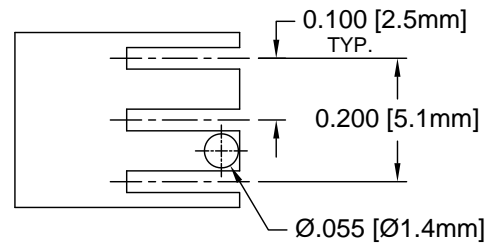
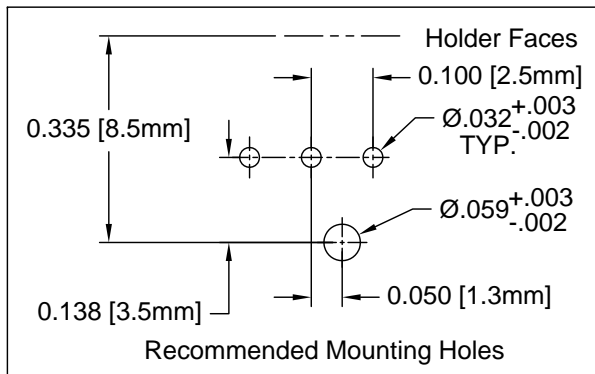
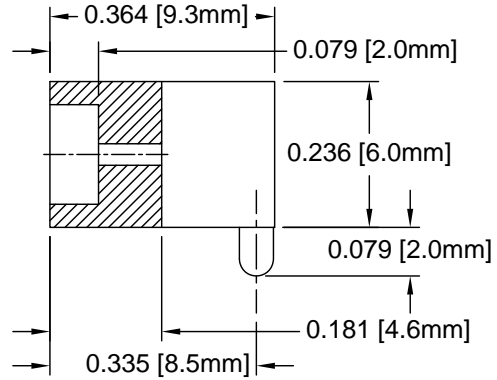
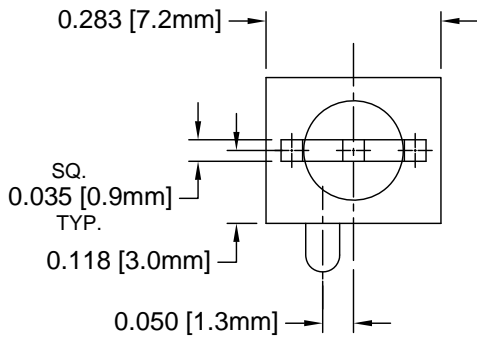
Stocking Distributor

Click to view price, real time Inventory, Delivery & Lifecycle Information:

[Bivar, Inc.](#)
[H-180C-LP](#)

For any questions, you can email us directly:
sales@integrated-circuit.com

REV.	DESCRIPTION	DATE	APPROVED
B	Engineering Update w/o Changes	02/26/04	M. C.
C	Removed Material Code	05/28/16	J. C.



2. MATERIAL: NYLON 6/6, 94V-0, BLACK.

1. GENERAL SPECIFICATIONS: BIVAR MOLDED COMPONENT SPECIFICATION BV00-E101.

STANDARD TOLERANCE (UNLESS OTHERWISE SPECIFIED)		 4 THOMAS, IRVINE, CA. 92618 TEL: (949) 951-8808 FAX: (949) 951-3974		
DECIMALS	ANGULAR			
.X ±.1	X° ±1°	 TITLE: T-1 (3mm) TRI-LEAD LED HOLDER	REVISION: C	
.XX ±.01				PART NO: H-180C-LP
.XXX ±.005				CAGE CODE : 32559 SHEET # 1 OF 1
DESIGNED: S. Irving	DATE: 06/24/02	CAD GENERATED DOCUMENT. DO NOT MEASURE DRAWING.		
CHECKED: M. Chen	DATE: 06/26/02			