

Excellent Integrated System Limited

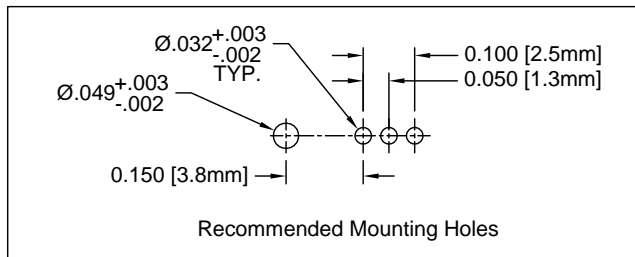
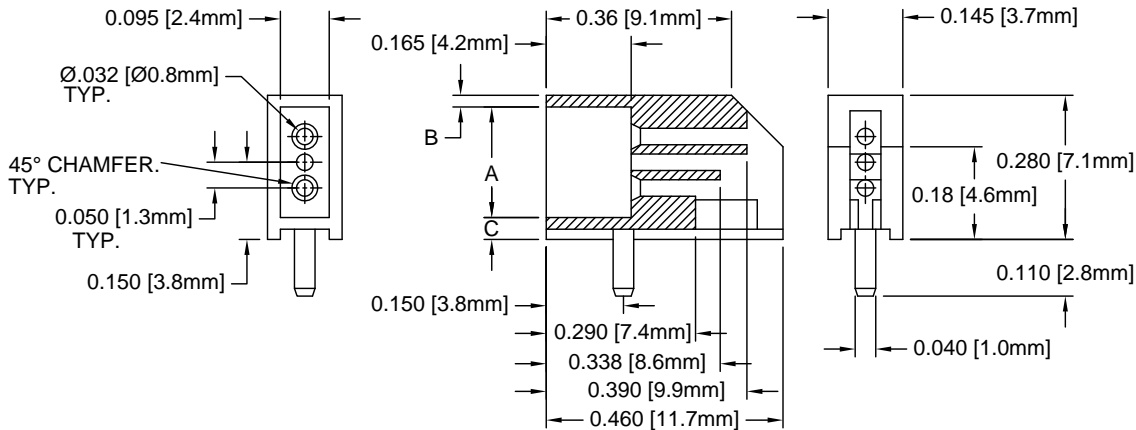
Stocking Distributor

Click to view price, real time Inventory, Delivery & Lifecycle Information:

[Bivar, Inc.](#)
[H-2RV-5](#)

For any questions, you can email us directly:
sales@integrated-circuit.com

REV.	DESCRIPTION	DATE	APPROVED
A	Engineering Update w/o Changes	02/27/04	M. C.
B	Typo Correction	04/04/06	M. C.
C	Removed Part Number from Part Offering List	05/06/15	J. C.
D	Removed Material Code	05/28/16	J. C.



PART NO.	A	B	C
H-2RV-5	.215 (5.5mm)	.022(.6mm)	.043 (1.1mm)

- 2. MATERIAL: NYLON 6/6, 94V-0, BLACK.
- 1. GENERAL SPECIFICATIONS: BIVAR MOLDED COMPONENT SPECIFICATION BV00-E101.

STANDARD TOLERANCE (UNLESS OTHERWISE SPECIFIED)		BIVAR®	
		4 THOMAS, IRVINE, CA. 92618 TEL: (949) 951-8808 FAX: (949) 951-3974	
DECIMALS	ANGULAR	TITLE: MULTIPLE SIZE RECTANGULAR LED HOLDER BI-LEAD / TRI-LEAD	
.X ±.1	X° ±1°	PART NO:	H-2RV-X
.XX ±.01		REVISION:	D
.XXX ±.005		CAGE CODE :	32559
		SHEET #	1 OF 1
DESIGNED:	S. Irving	DATE:	10/22/99
CHECKED:	D. Green	DATE:	02/27/04
CAD GENERATED DOCUMENT, DO NOT MEASURE DRAWING.			