

Excellent Integrated System Limited

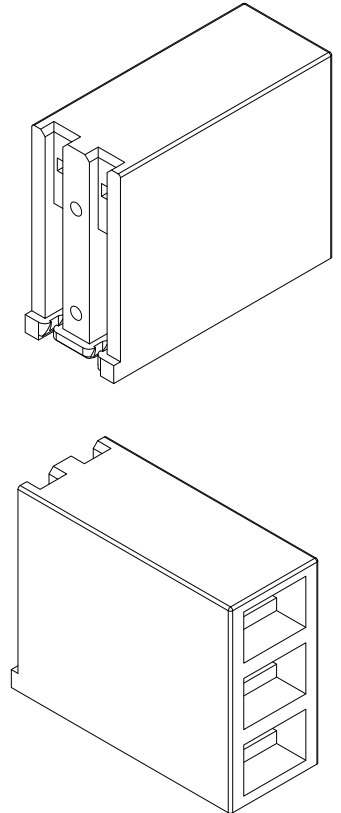
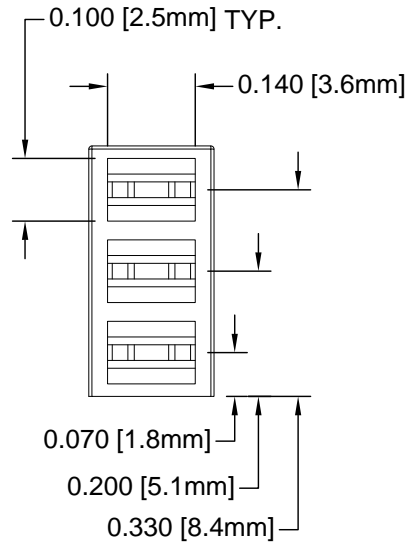
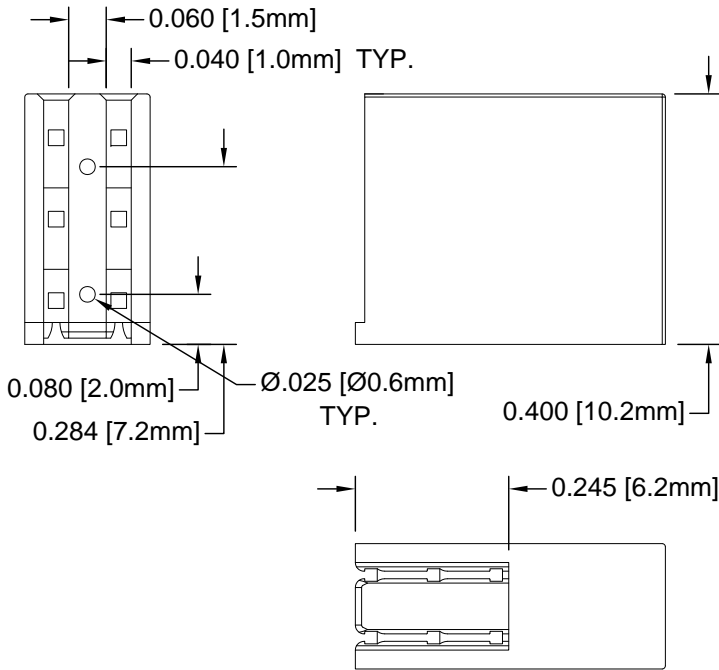
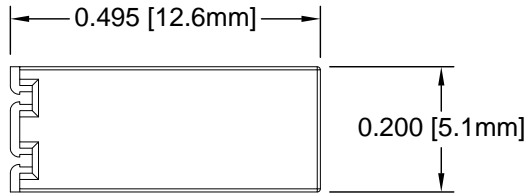
Stocking Distributor

Click to view price, real time Inventory, Delivery & Lifecycle Information:

[Bivar, Inc.](#)
[H-381C](#)

For any questions, you can email us directly:
sales@integrated-circuit.com

REV.	DESCRIPTION	DATE	APPROVED
A	Engineering Update w/o Changes	05/16/07	M. C.
B	Rear Plate Update	10/15/07	M. C.
C	Updated Title Block	02/07/08	M. C.
D	Removed Material Code	05/28/16	J. C.



2. MATERIAL: NYLON 6/6, 94V-0, BLACK.

1. GENERAL SPECIFICATIONS: BIVAR MOLDED COMPONENT SPECIFICATION BV00-E101.

STANDARD TOLERANCE (UNLESS OTHERWISE SPECIFIED)		BIVAR [®]	
DECIMALS	ANGULAR	4 THOMAS, IRVINE, CA. 92618	
.X ± .1	X° ± 1°	TEL: (949) 951-8808 FAX: (949) 951-3974	
.XX ± .01		TITLE: 3-HIGH HOLDER FOR 1.8mm LEDs	
.XXX ± .005		REVISION: D	
DESIGNED: T. Yin	DATE: 10/15/07	PART NO: H-381C	
CHECKED: M. Chen	DATE: 10/15/07	CAGE CODE : 32559	SHEET # 1 OF 1
CAD GENERATED DOCUMENT. DO NOT MEASURE DRAWING.			