

Excellent Integrated System Limited

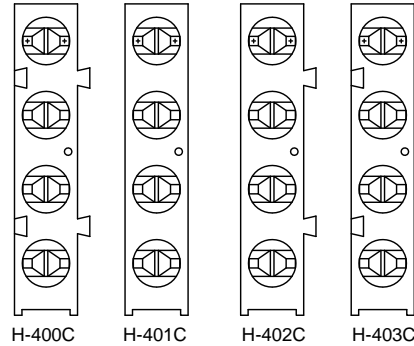
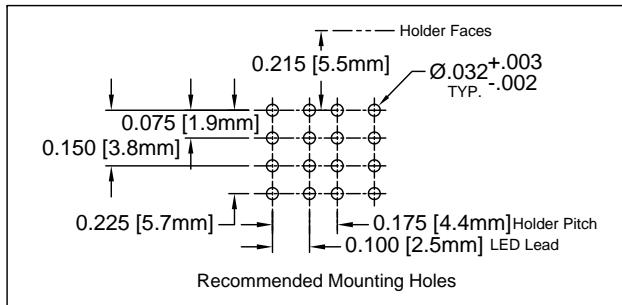
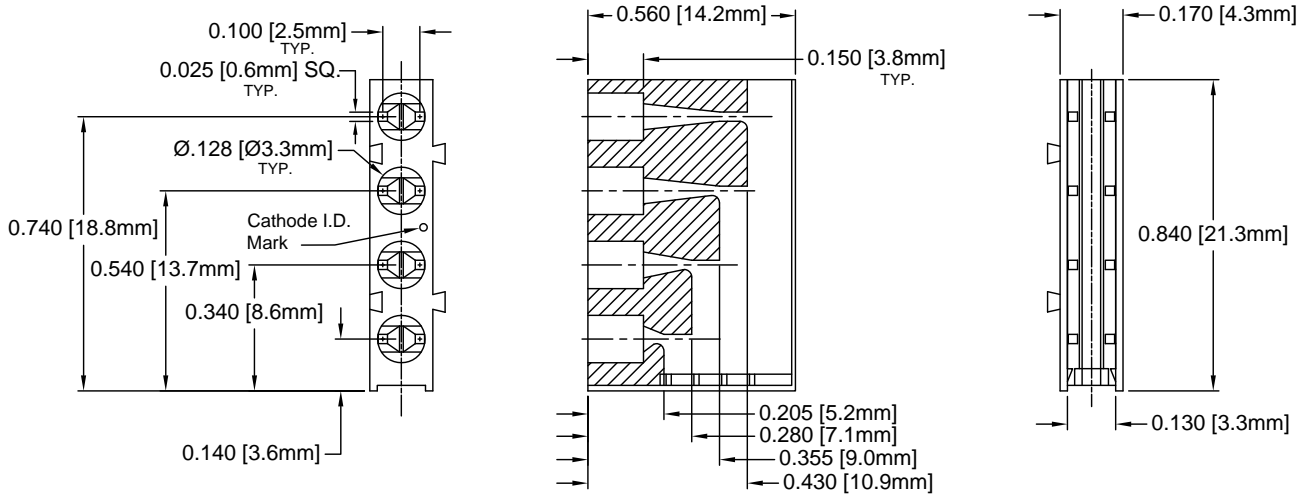
Stocking Distributor

Click to view price, real time Inventory, Delivery & Lifecycle Information:

[Bivar, Inc.](#)
[H-400C](#)

For any questions, you can email us directly:
sales@integrated-circuit.com

REV.	DESCRIPTION	DATE	APPROVED
B	Engineering Update w/o Changes	02/27/04	M. C.
C	Core Modification	02/26/08	M. C.
D	Corrected Conversion Error	03/03/08	M. C.
E	Removed Core Modification	08/05/09	T. Y.
F	Removed Material Code	05/28/16	J. C.



STANDARD TOLERANCE (UNLESS OTHERWISE SPECIFIED)		BIVAR®	
DECIMALS	ANGULAR	4 THOMAS, IRVINE, CA. 92618	
.X ±.1	X° ±1°	TEL: (949) 951-8808 FAX: (949) 951-3974	
.XX ±.01		TITLE: QUAD-LEVEL T-1 (3mm) LED HOLDER INTERLOCKING	
.XXX ±.005		REVISION: F	
DESIGNED: D. Green	DATE: 04/15/03	PART NO: H-40XC	
CHECKED: M. Chen	DATE: 04/15/03	CAGE CODE : 32559	SHEET # 1 OF 1
CAD GENERATED DOCUMENT. DO NOT MEASURE DRAWING.			

2. MATERIAL: NYLON 6/6, 94V-0, BLACK.

1. GENERAL SPECIFICATIONS: BIVAR MOLDED COMPONENT SPECIFICATION BV00-E101.