

Excellent Integrated System Limited

Stocking Distributor

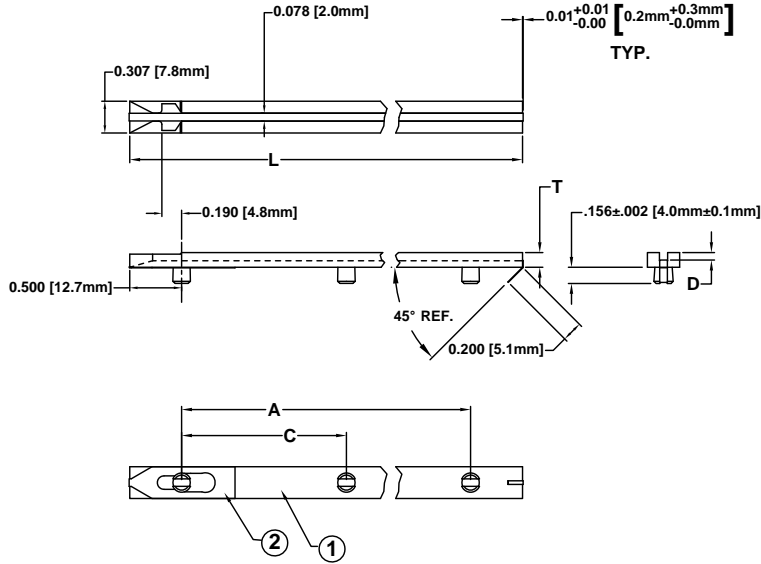
Click to view price, real time Inventory, Delivery & Lifecycle Information:

[Bivar, Inc.](#)
[E-1200-CI](#)

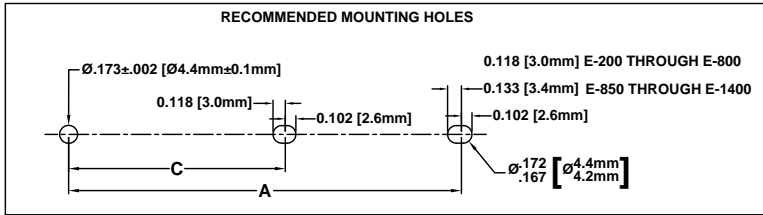
For any questions, you can email us directly:
sales@integrated-circuit.com

ITEM	QTY	PART NUMBER	PART DESCRIPTION
1	1	E-XXX-X	ECON-O-GIDE PRESS-IN CARD GUIDE
2	1	CS-600-F XX.XX	CONDUCTIVE INSERT

REV	DESCRIPTION	DATE	APPROVED
B	Typo Correction.	04/15/03	M. C.
C	Eco#388, Engineering Update.	05/01/03	M. C.
D	Engineering Update w/o Changes.	05/13/16	J. C.



PART NO.	CONDUCTIVE INSERT	L ±.062 (1.6)	A +.016 (.41) -.032 (.81)	D ±.005 (.1)	T ±.005 (.1)	DESC DWG. NO.	
E-200-CI	CS-600-F 10.75	2.0 (50.8)	1.016 (25.8)	.072 (1.8)	.125 (3.2)	-	
E-250-CI	CS-600-F 10.75	2.5 (63.5)		.072 (1.8)	.125 (3.2)	84006-01	
E-300-CI	CS-600-F 10.75	3.0 (76.2)	1.516 (38.5)			84006-02	
E-350-CI	CS-600-F 10.75	3.5 (88.9)				84006-03	
E-400-CI	CS-600-F 10.75	4.0 (101.6)		.072 (1.8)	.125 (3.2)	84006-04	
E-450-CI	CS-600-F 10.75	4.5 (114.3)	3.016 (76.6)			84006-05	
E-500-CI	CS-600-F 10.75	5.0 (127.0)				84006-06	
E-550-CI	CS-600-F 10.75	5.5 (139.7)				84006-07	
E-600-CI	CS-600-F 10.75	6.0 (152.4)		.072 (1.8)	.125 (3.2)	84006-08	
E-650-CI	CS-600-F 10.75	6.5 (165.1)	5.016 (127.4)			84006-09	
E-700-CI	CS-600-F 10.75	7.0 (177.8)		.072 (1.8)	.125 (3.2)	84006-10	
E-750-CI	CS-600-F 10.75	7.5 (190.5)	6.031 (153.2)			84006-11	
E-800-CI	CS-600-F 10.75	8.0 (203.2)				84006-12	
PART NO.	CONDUCTIVE INSERT	L ±.062 (1.6)	A +.016 (.41) -.047 (1.2)	C +.016 (.41) -.032 (.81)	D ±.005 (.1)	T ±.007 (.2)	DESC DWG. NO.
E-850-CI	CS-600-F 10.75	8.5 (215.9)			.072 (1.8)	.141 (3.6)	84006-13
E-900-CI	CS-600-F 14.00	9.0 (228.6)	7.531(191.3)	3.766 (95.7)			84006-14
E-950-CI	CS-600-F 14.00	9.5 (241.3)					84006-15
E-1000-CI	CS-600-F 14.00	10.0 (254.0)			.072 (1.8)	.141 (3.6)	84006-16
E-1050-CI	CS-600-F 14.00	10.5 (266.7)	9.031(229.4)	4.516 (114.7)			84006-17
E-1100-CI	CS-600-F 14.00	11.0 (279.4)					84006-18
E-1150-CI	CS-600-F 14.00	11.5 (292.1)					84006-19
E-1200-CI	CS-600-F 14.00	12.0 (304.8)	10.547(267.9)	5.274 (134.0)	.087 (2.2)	.156 (4.0)	84006-20
E-1250-CI	CS-600-F 14.00	12.5 (317.5)					84006-21
E-1300-CI	CS-600-F 14.00	13.0 (330.2)			.087 (2.2)	.156 (4.0)	84006-22
E-1350-CI	CS-600-F 14.00	13.5 (342.9)	12.047(306.0)	6.024 (153.0)			84006-23
E-1400-CI	CS-600-F 14.00	14.0 (355.6)					84006-24



STANDARD TOLERANCE
(UNLESS OTHERWISE SPECIFIED)

DECIMALS	ANGULAR
.X ±.1	X° ± 1°
.XX ±.01	
.XXX ±.005	

BIVAR[®]
4 THOMAS, IRVINE, CA. 92618
TEL: (949) 951-8808 FAX: (949) 951-3974

DESIGNED: D. Green	DATE: 04/04/03
CHECKED: M. Chen	DATE: 04/04/03

TITLE: ECON-O-GIDE, PRESS-IN CARD GUIDE W/ CONDUCTIVE INSERT	REVISION: D
PART NO: E-XXX-CI	
CAGE CODE : 32559	SHEET # 1 OF 1
CAD GENERATED DOCUMENT, DO NOT MEASURE DRAWING.	