

Excellent Integrated System Limited

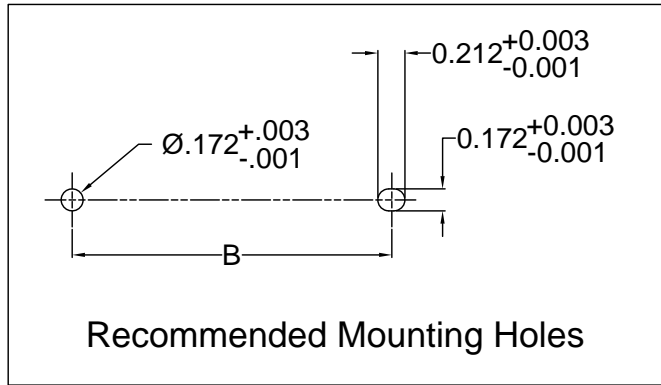
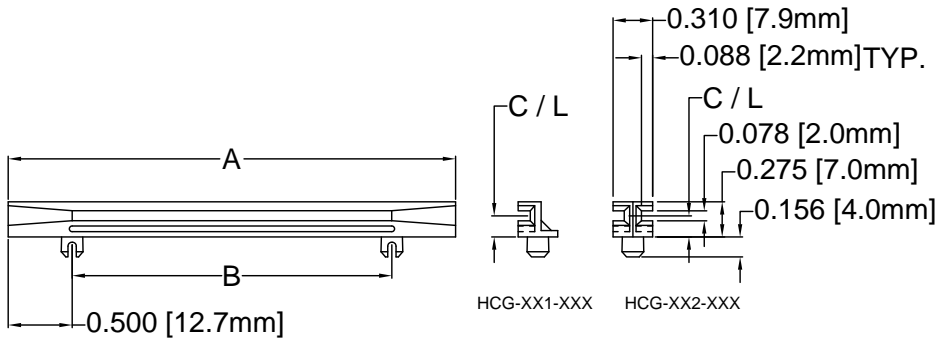
Stocking Distributor

Click to view price, real time Inventory, Delivery & Lifecycle Information:

[Bivar, Inc.](#)
[HCG-301-165](#)

For any questions, you can email us directly:
sales@integrated-circuit.com

REV.	DESCRIPTION	DATE	APPROVED
F	Engineering Update w/o Changes	02/27/04	M. C.
G	Removed Material Code	05/13/16	J. C.



PART NO.		A ±.032 (.8)	B ±.016 (.4)	C/L ±.005 (.1)
HCG-201-165	HCG-202-165	2.0 (50.8)	1.0 (25.4)	.165 (4.2)
HCG-251-165	HCG-252-165	2.5 (63.5)	1.5 (38.1)	.165 (4.2)
HCG-301-165	HCG-302-165	3.0 (76.2)	2.0 (50.8)	.165 (4.2)
HCG-351-165	HCG-352-165	3.5 (88.9)	2.5 (63.5)	.165 (4.2)
HCG-401-165	HCG-402-165	4.0 (101.6)	3.0 (76.2)	.165 (4.2)
HCG-451-165	HCG-452-165	4.5 (114.3)	3.5 (88.9)	.165 (4.2)
HCG-501-165	HCG-502-165	5.0 (127.0)	4.0 (101.6)	.165 (4.2)
HCG-551-165	HCG-552-165	5.5 (139.7)	4.5 (114.3)	.165 (4.2)
HCG-601-165	HCG-602-165	6.0 (152.4)	5.0 (127.0)	.165 (4.2)

2. MATERIAL: NYLON 66, 94V-0, BLACK.

1. GENERAL SPECIFICATIONS: BIVAR MOLDED COMPONENT SPECIFICATION BV00-E101.

STANDARD TOLERANCE (UNLESS OTHERWISE SPECIFIED)		 4 THOMAS, IRVINE, CA. 92618 TEL: (949) 951-8808 FAX: (949) 951-3974			
DECIMALS	ANGULAR				
.X ±.1	X° ±1°	TITLE: DOUBLE SIDED HORIZONTAL CARD GUIDE FOR P.C.B.			
.XX ±.01					
.XXX ±.005		DESIGNED: S. Irving	DATE: 10/21/99	PART NO: HCG-XXX-XXX	REVISION: G
		CHECKED: D. Green	DATE: 11/26/02	CAGE CODE : 32559	SHEET # 1 OF 1
CAD GENERATED DOCUMENT, DO NOT MEASURE DRAWING.					