

Excellent Integrated System Limited

Stocking Distributor

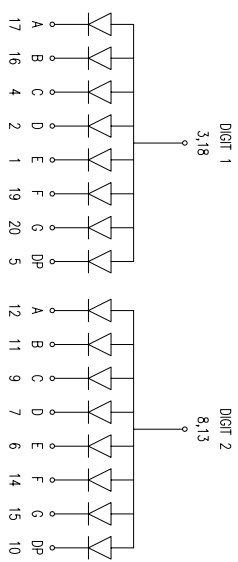
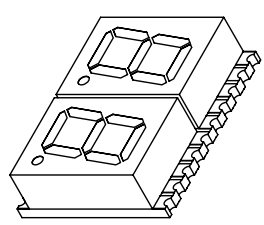
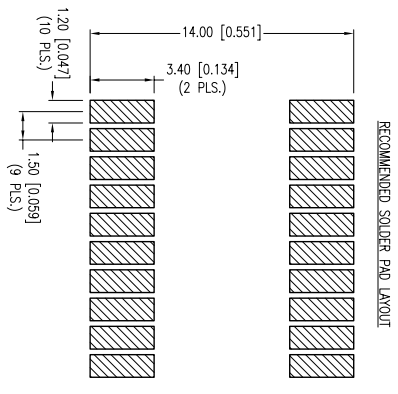
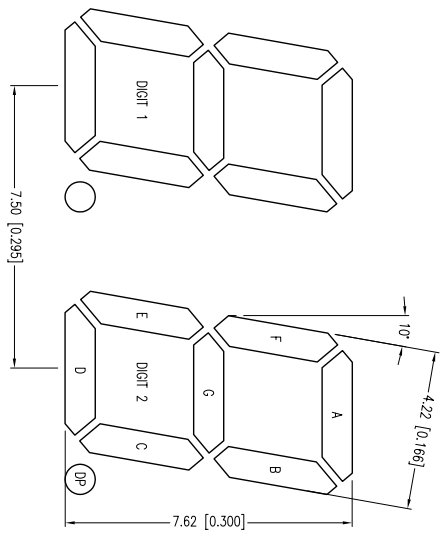
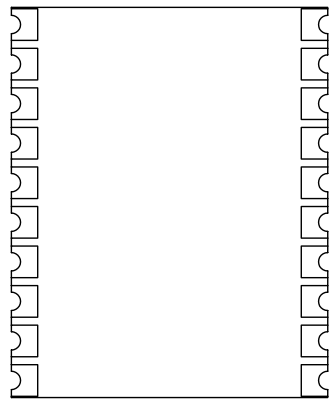
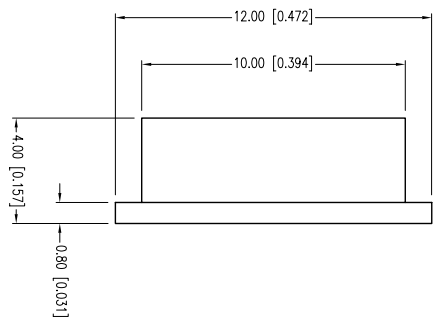
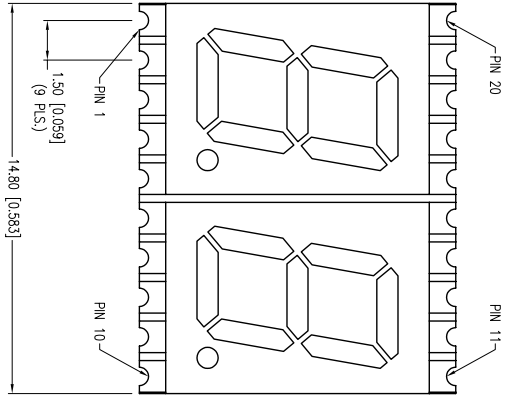
Click to view price, real time Inventory, Delivery & Lifecycle Information:

[Lumex, Inc.](#)

[LDD-SMHTA302RISUGT](#)

For any questions, you can email us directly:

sales@integrated-circuit.com



PART NUMBER	LDD-SMHTA302RISUGT	REV.	A
DATE	03/26/12	REV.	A
E.C.N. #11811 CHANGE PART DESCRIPTION.			

ELECTRO-OPTICAL CHARACTERISTICS $I_f=20mA$

PARAMETER	MIN	TYP	MAX	UNITS	TEST COND.
PEAK WAVELENGTH		568		nm	
FORWARD VOLTAGE	2.25		2.60	V _f	$I_f=100\mu A$
REVERSE VOLTAGE	5.0			V _r	$I_f=10mA$
AXIAL INTENSITY		2500		μcd	
EMITTED COLOR		GREEN		2x field	
FACE COLOR		GRAY			
SEGMENT COLOR		MILKY WHITE DIFFUSED			

LIMITS OF SAFE OPERATION AT 25°C PER DIE

PARAMETER	MAX	UNITS
PEAK FORWARD CURRENT*	100	mA
STEADY CURRENT	25	mA
POWER DISSIPATION	65	mW
DERATE FROM 25°C	-0.33	mW/°C
OPERATING TEMP.	-40 TO +105	°C
STORAGE TEMP.	-40 TO +105	°C

* $t < 10\mu S$

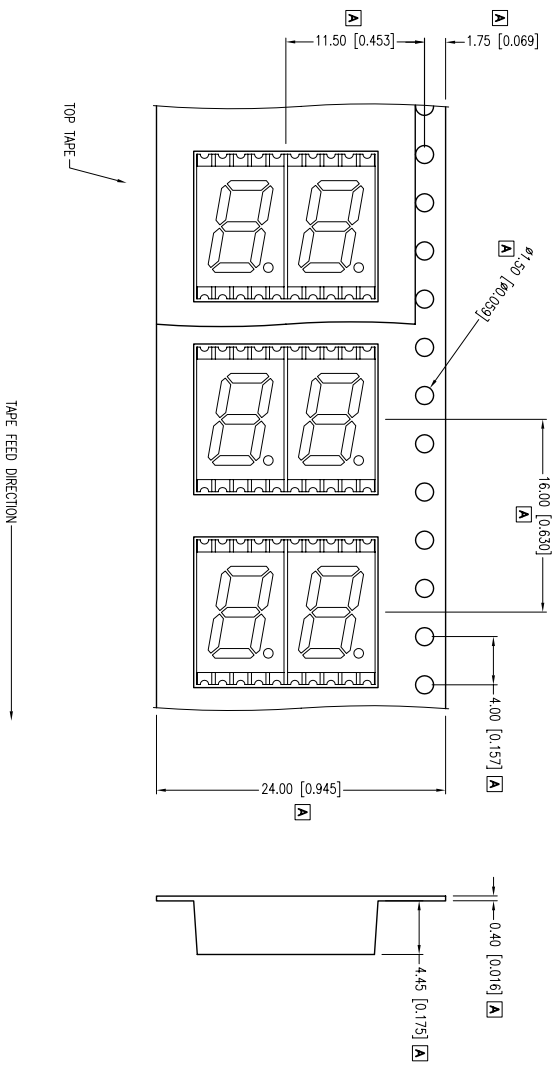
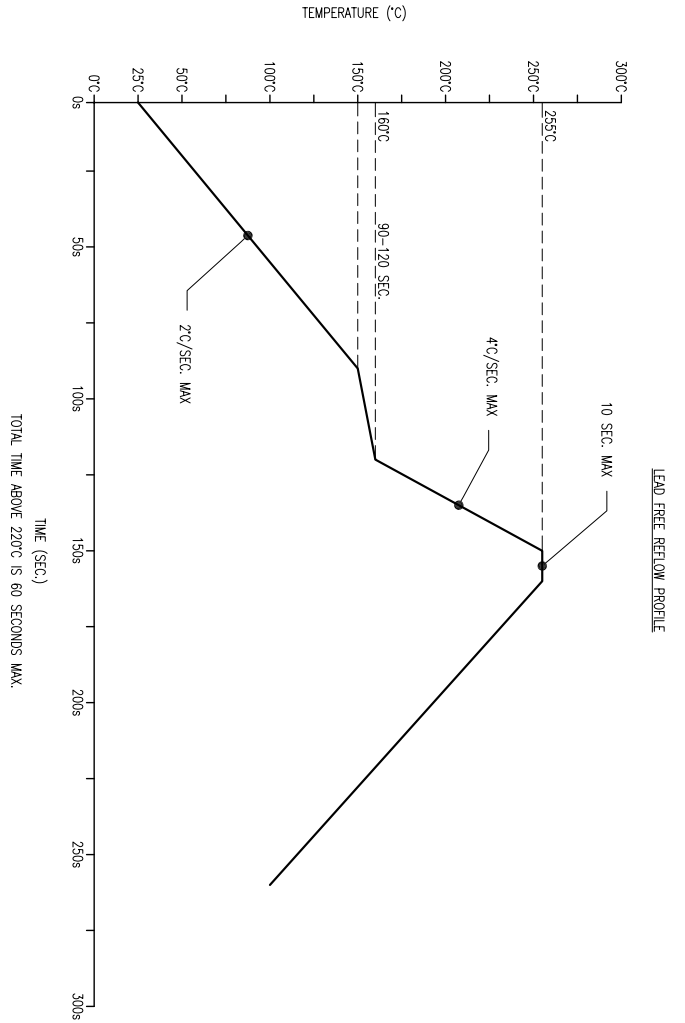
UNLESS OTHERWISE SPECIFIED TOLERANCES PER DECIMAL PRECISION ARE: X=±1 (±0.039), X.X=±0.5 (±0.020), X.XX=±0.25 (±0.010), X.XXX=±0.127 (±0.005), LEAD SIZE=±0.05 (±0.002), LEAD LENGTH=±0.75 (±0.030), MIN=-0.00 (±0.000), PRECISION MAX.=+0.00 (±0.000), PRECISION MIN.=-0.00 (±0.000)

0.30" 7 SEGMENT DUAL DIGIT DISPLAY, 568nm GREEN, HIGH TEMP., COMMON ANODE.

LUMEX
 Creating LED and LCD Solutions Together™
 290 E. HELEN ROAD
 PALATINE, IL 60067-6976
 PHONE: +1.847.359.2790
 FAX: +1.847.359.6538
 WEB: WWW.LUMEX.COM
 MEMBER OF ITW PHOTONICS GROUP

UNCONTROLLED DOCUMENT

DATE: 03.20.12 DRAWN BY: AB
 PAGE: 1 OF 2 CHKD BY: KF
 SCALE: NTS APRVD BY: KF
 UNIT: mm [INCH]



290 E. HELEN ROAD
 PALATINE, IL 60067-6976
 PHONE: +1.847.359.2790
 FAX: +1.847.359.6538
 WEB: WWW.LUMEX.COM
 MEMBER OF ITW PHOTONICS GROUP

UNLESS OTHERWISE SPECIFIED, TOLERANCES PER DECIMAL PRECISION ARE: X=±1 (±0.039), X.X=±0.5 (±0.020), X.XX=±0.25 (±0.010), X.XXX=±0.127 (±0.005), LEAD SIZE=±0.05 (±0.002), LEAD LENGTH=±0.75 (±0.030), MIN=-0.00
 DECIMAL PRECISION MAX.=+0.00
 0.30" 7 SEGMENT DUAL DIGIT DISPLAY, 568nm GREEN, HIGH TEMP., COMMON ANODE.
 THE SPECIFICATIONS MAY CHANGE AT ANY TIME WITHOUT NOTICE DUE TO NEW MATERIALS OR PRODUCT IMPROVEMENT
 CONSENTUAL INFORMATION
 THE INFORMATION CONTAINED IN THIS DOCUMENT IS THE PROPERTY OF LUMEX, INC. EXCEPT AS SPECIFICALLY AUTHORIZED IN WRITING BY LUMEX, INC., THE HOLDER OF THIS DOCUMENT SHALL KEEP ALL INFORMATION CONTAINED HEREIN CONFIDENTIAL AND SHALL PROTECT SAME IN WHOLE OR IN PART FROM DISCLOSURE AND DISSEMINATION TO ALL THIRD PARTIES.

UNCONTROLLED DOCUMENT

DATE:	03.20.12	DRAWN BY:	AB
PAGE:	2 OF 2	CHKD BY:	KF
SCALE:	NTS	APRVD BY:	KF
UNIT:	mm [INCH]		