

Excellent Integrated System Limited

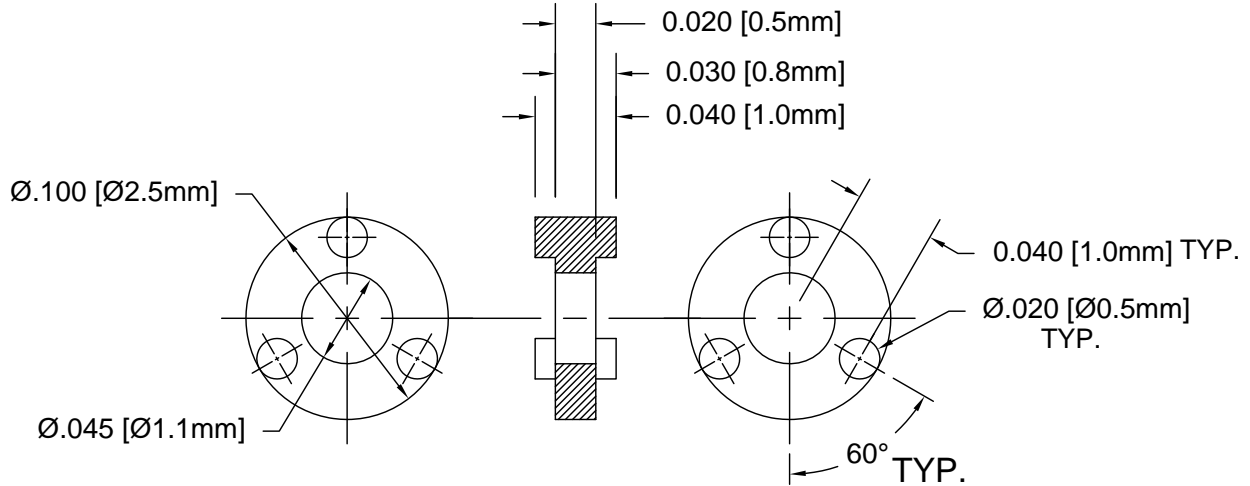
Stocking Distributor

Click to view price, real time Inventory, Delivery & Lifecycle Information:

[Bivar, Inc.](#)
[419-040](#)

For any questions, you can email us directly:
sales@integrated-circuit.com

REV.	DESCRIPTION	DATE	APPROVED
C	Engineering Update w/o Changes	02/20/04	M. C.
D	Removed Material Code	05/22/16	J. C.



2. MATERIAL: NYLON 6/6, 94V-2, WHITE.

1. GENERAL SPECIFICATIONS: BIVAR MOLDED COMPONENT SPECIFICATION BV00-E101.

STANDARD TOLERANCE (UNLESS OTHERWISE SPECIFIED)		 4 THOMAS, IRVINE, CA. 92618 TEL: (949) 951-8808 FAX: (949) 951-3974	
DECIMALS	ANGULAR		
.X $\pm .1$	X° $\pm 1^\circ$	TITLE: PERM-O-PAD PART NO: 419-040 REVISION: D	
.XX $\pm .01$			
.XXX $\pm .005$		DESIGNED: S. Irving DATE: 08/05/98	CAGE CODE : 32559 SHEET # 1 OF 1
CHECKED: M. Chen DATE: 12/10/03		CAD GENERATED DOCUMENT. DO NOT MEASURE DRAWING.	