

Excellent Integrated System Limited

Stocking Distributor

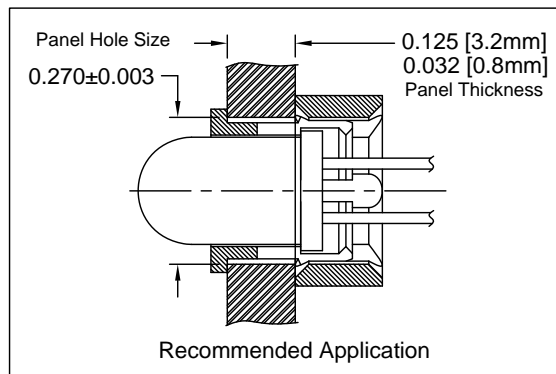
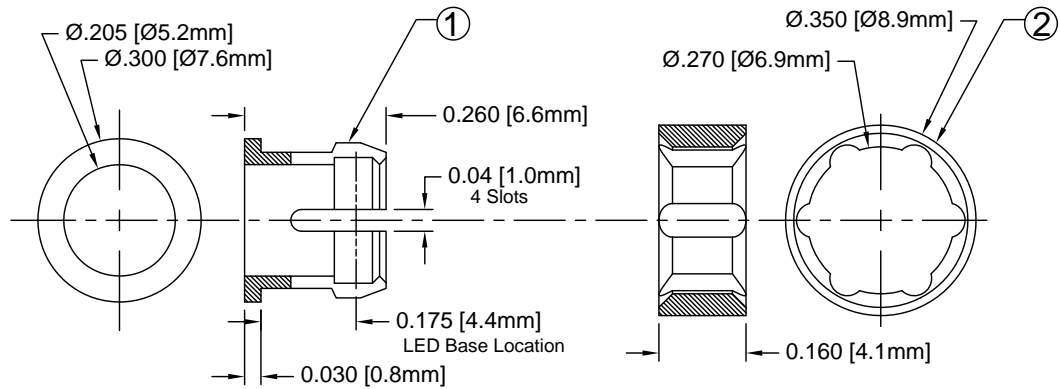
Click to view price, real time Inventory, Delivery & Lifecycle Information:

[Bivar, Inc.](#)
[CR-174](#)

For any questions, you can email us directly:
sales@integrated-circuit.com

ITEM	QTY	PART NUMBER	PART DESCRIPTION
1	1	C-174	T-1½ (5mm) LED CLIP
2	1	R-174	T-1½ (5mm) LED RING

REV.	DESCRIPTION	DATE	APPROVED
B	Engineering Update w/o Changes	02/26/04	M. C.
C	Remove Material Code	05/28/16	J. C.



2. MATERIAL: NYLON 6/6, 94V-2, BLACK.

1. GENERAL SPECIFICATIONS: BIVAR MOLDED COMPONENT SPECIFICATION BV00-E101.

STANDARD TOLERANCE (UNLESS OTHERWISE SPECIFIED)		 4 THOMAS, IRVINE, CA. 92618 TEL: (949) 951-8808 FAX: (949) 951-3974	
DECIMALS	ANGULAR	TITLE: T-1½ LED CLIP AND RING SET	
.X ±.1	X° ±1°	DESIGNED: S. Irving	DATE: 11/24/98
.XX ±.01		CHECKED: M. Chen	DATE: 05/17/02
.XXX ±.005		PART NO: CR-174	REVISION: C
		CAGE CODE : 32559	SHEET # 1 OF 1
CAD GENERATED DOCUMENT. DO NOT MEASURE DRAWING.			