

## Excellent Integrated System Limited

Stocking Distributor

Click to view price, real time Inventory, Delivery & Lifecycle Information:

[Bivar, Inc.](#)  
[CR-174L](#)

For any questions, you can email us directly:  
[sales@integrated-circuit.com](mailto:sales@integrated-circuit.com)



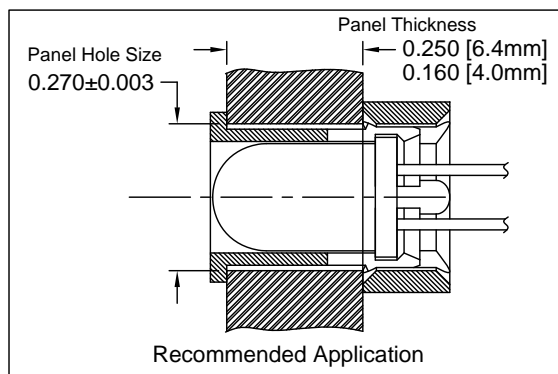
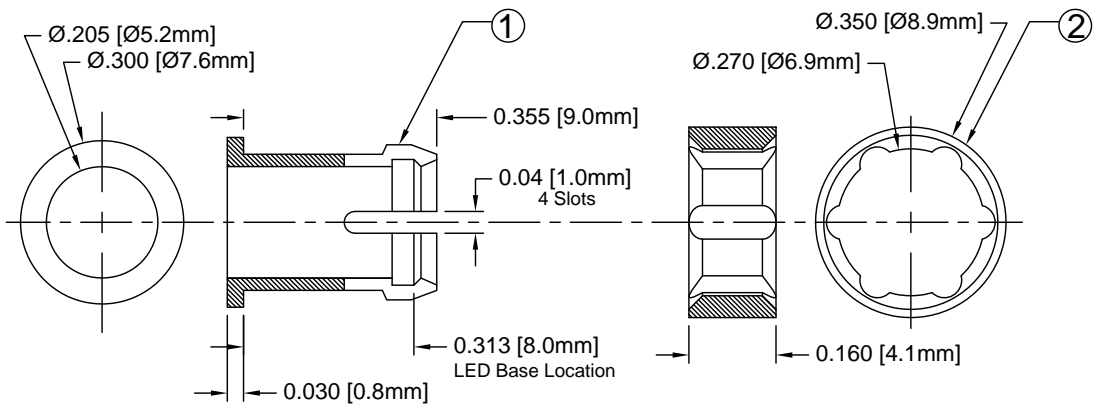
**Distributor of Bivar, Inc.: Excellent Integrated System Limited**

Datasheet of CR-174L - LED HOLDER PANEL MT CLIP & RING

Contact us: sales@integrated-circuit.com Website: www.integrated-circuit.com

ITEM	QTY	PART NUMBER	PART DESCRIPTION
1	1	C-174L	T-1 1/4 (5mm) LED CLIP
2	1	R-174	T-1 1/4 (5mm) LED RING

REV	DESCRIPTION	DATE	APPROVED
C	Engineering Update w/o Changes	02/26/04	M. C.
D	Corrected BOM, LED size from 3mm to 5mm	02/05/14	J. C.
E	Typo Correction	11/05/14	J. C.
F	Engineering Update w/o Changes	05/28/16	J. C.



2. MATERIAL: NYLON 6/6, 94V-2, BLACK.

1. GENERAL SPECIFICATIONS: BIVAR MOLDED COMPONENT SPECIFICATION BV00-E101.

STANDARD TOLERANCE (UNLESS OTHERWISE SPECIFIED)		 4 THOMAS, IRVINE, CA. 92618 TEL: (949) 951-8808 FAX: (949) 951-3974	
DECIMALS	ANGULAR		
.X ±.1	X° ±1°	<b>TITLE:</b> T-1 1/4 LED CLIP & RING SET <b>PART NO:</b> CR-174L <b>REVISION:</b> F	
.XX ±.01			
.XXX ±.005		<b>DESIGNED:</b> S. Irving <b>DATE:</b> 11/24/98 <b>CHECKED:</b> M. Chen <b>DATE:</b> 05/17/02	<b>CAGE CODE :</b> 32559 <b>SHEET # 1 OF 1</b>
		CAD GENERATED DOCUMENT. DO NOT MEASURE DRAWING.	