

Excellent Integrated System Limited

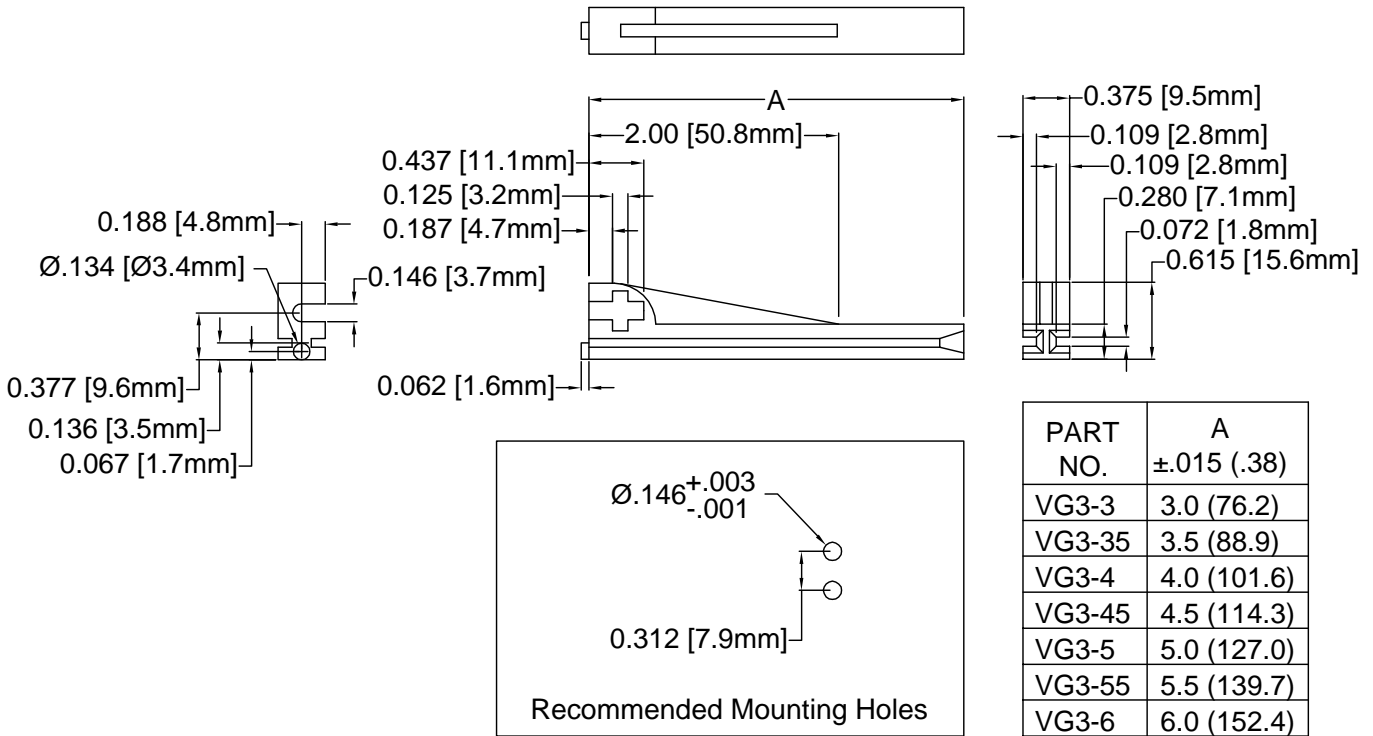
Stocking Distributor

Click to view price, real time Inventory, Delivery & Lifecycle Information:

[Bivar, Inc.](#)
[VG3-3](#)

For any questions, you can email us directly:
sales@integrated-circuit.com

REV.	DESCRIPTION	DATE	APPROVED
A	Engineering Update w/o Changes	03/01/04	M. C.



PART NO.	A
VG3-3	3.0 (76.2)
VG3-35	3.5 (88.9)
VG3-4	4.0 (101.6)
VG3-45	4.5 (114.3)
VG3-5	5.0 (127.0)
VG3-55	5.5 (139.7)
VG3-6	6.0 (152.4)

- 2. MATERIAL: NYLON 6, 10% GLASS, 94V-0, BLACK. BIVAR MATERIAL CODE 12-BK. RTP 299A X 59354CFR, BLACK OR MODIFIED PLASTICS MN6-FG10SE BK.
- 1. GENERAL SPECIFICATIONS: BIVAR MOLDED COMPONENT SPECIFICATION BV00-E101.

STANDARD TOLERANCE (UNLESS OTHERWISE SPECIFIED)		 4 THOMAS, IRVINE, CA. 92618 TEL: (949) 951-8808 FAX: (949) 951-3974			
DECIMALS	ANGULAR				
.X ± .1	X° ± 1°	 TITLE: VERT-O-GUIDE			
.XX ± .01					
.XXX ± .005		DESIGNED: Shane Irving	DATE: 11/22/00	PART NO: VG3-XX	REVISION: A
CHECKED: D. Green		DATE: 03/01/04		CAGE CODE : 32559	SHEET # 1 OF 1
CAD GENERATED DOCUMENT, DO NOT MEASURE DRAWING.					