

## Excellent Integrated System Limited

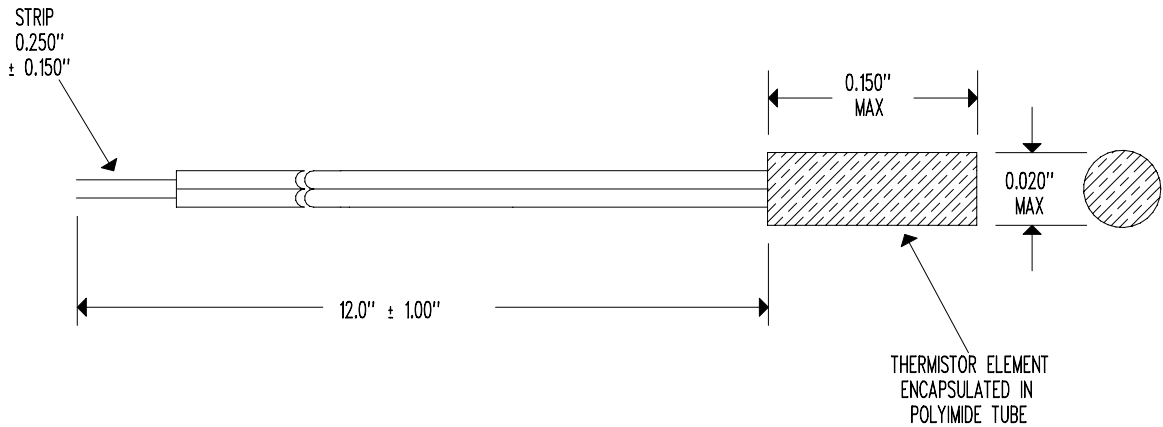
Stocking Distributor

Click to view price, real time Inventory, Delivery & Lifecycle Information:

[US Sensor](#)  
[USP12837](#)

For any questions, you can email us directly:

[sales@integrated-circuit.com](mailto:sales@integrated-circuit.com)



RESISTANCE @ +25°C = 10,000 Ω ± 1%  
 RESISTANCE/TEMPERATURE CURVE = "J"  
 BETA "β" (0 TO +50°C) = 3,892°K NOMINAL  
 TEMPERATURE COEFFICIENT @ +25°C = -4.4%/°C NOMINAL  
 MAXIMUM TEMPERATURE RATING = +125°C

MAXIMUM TEMPERATURE FOR BEST LONG-TERM STABILITY = +100°C

LEAD WIRE: 38 AWG (0.004" DIAMETER), TWO CONDUCTOR,  
 SOLID CONDUCTOR, POLY-NYLON INSULATED

\*\*\* ROHS COMPLIANT \*\*\*

SEE MANUFACTURING SPECIFICATION (LAYER 1)

NONE	RELEASE TO PRODUCTION	01/11/12	DD
REV	REVISION RECORD	DATE	APP

SCALE	NONE	© COPYRIGHT <b>U.S. SENSOR CORP.</b> 714-639-1000 www.ussensor.com <b>THERMISTOR PROBE</b> P/N USP12837
DRAWN BY	DAN DANKERT	
DATE	01/11/12	
REV.	NONE	
LAYER	0 OF 2	