

Excellent Integrated System Limited

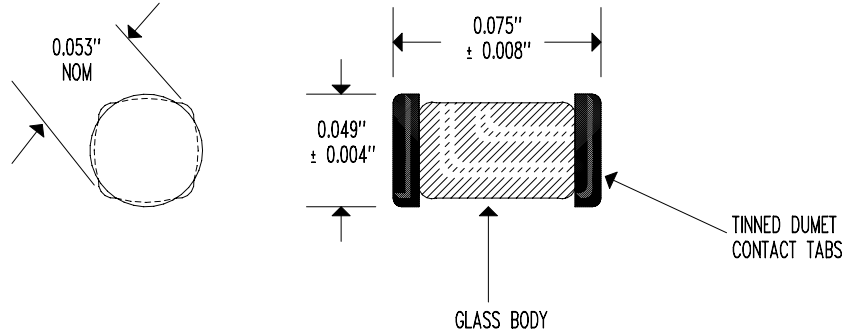
Stocking Distributor

Click to view price, real time Inventory, Delivery & Lifecycle Information:

[US Sensor](#)
[MM203J1F](#)

For any questions, you can email us directly:

sales@integrated-circuit.com



RESISTANCE @ +25°C = 20,000 Ω ± 1%
 RESISTANCE/TEMPERATURE CURVE = "J"
 BETA "β" (0 TO +50°C) = 3,892°K NOMINAL
 TEMPERATURE COEFFICIENT @ +25°C = -4.4%/°C NOMINAL
 DISSIPATION CONSTANT = 1 mW/°C NOMINAL
 THERMAL TIME CONSTANT = 5 SECONDS MAXIMUM
 MAXIMUM TEMPERATURE RATING = +220°C

NONE	RELEASE TO PRODUCTION	01/11/12	DD
REV	REVISION RECORD	DATE	APP

SCALE	NONE	U.S. SENSOR CORP. © COPYRIGHT 714-639-1000 www.ussensor.com
DRAWN BY	DAN DANKERT	
DATE	01/11/12	NTC THERMISTOR
REV.	NONE	P/N MM203J1F
LAYER	0 OF 1	