



**Distributor of CTS Electronic Components: Excellent Integrated System Limited**

Datasheet of 2425-018-X7R0-102PLF - CAP FEEDTHRU 1000PF 200V X7R

Contact us: [sales@integrated-circuit.com](mailto:sales@integrated-circuit.com) Website: [www.integrated-circuit.com](http://www.integrated-circuit.com)

---

## **Excellent Integrated System Limited**

Stocking Distributor

Click to view price, real time Inventory, Delivery & Lifecycle Information:

[CTS Electronic Components](#)

[2425-018-X7R0-102PLF](#)

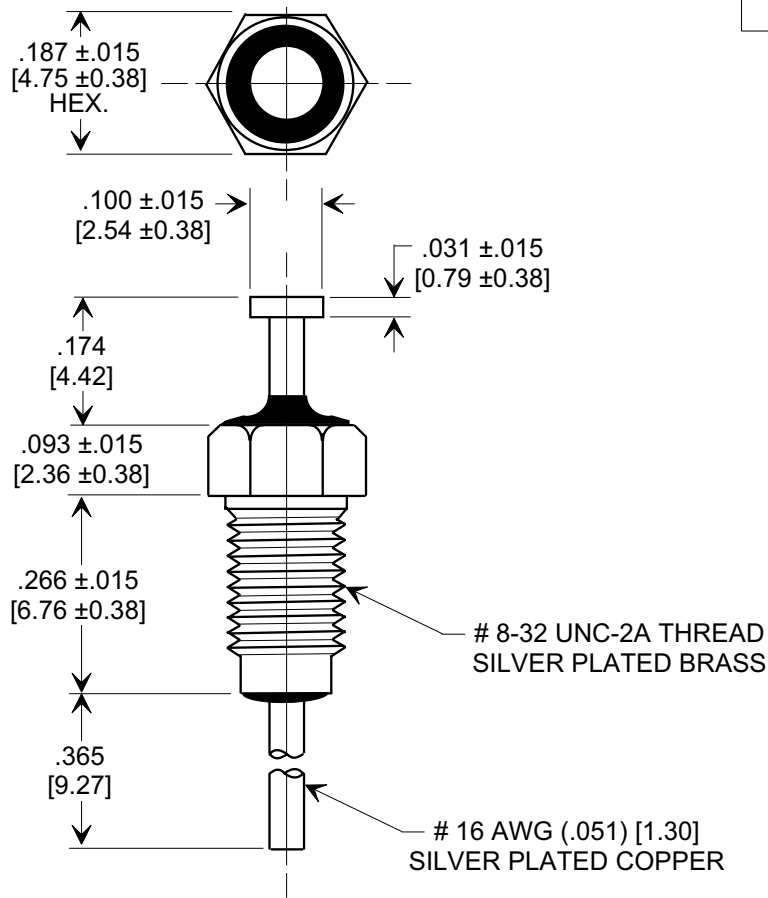
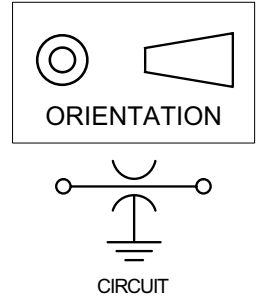
For any questions, you can email us directly:

[sales@integrated-circuit.com](mailto:sales@integrated-circuit.com)

**MARKETING SALES DRAWING**

Electrical Testing  
 per Tusonix standard  
 test plans and Mil-Std-202  
 Test Methods.

**DIMENSIONS IN INCHES - DO NOT SCALE THIS DRAWING**  
**DIMENSIONS IN METRIC - [ ]**



**NOTES:**

- SUPPLIED WITH SILVER PLATED HEX NUT AND INTERNAL TOOTH LOCK WASHER.
- MOUNTING TORQUE NOT TO EXCEED 5 lb - in. MAX. [.565 N-m]
- TUSONIX STANDARD PART NUMBER: 2425-018-X7R0-102P. TUSONIX RoHS COMPLIANT PART NUMBER: 2425-018-X7R0-102P LF. CUSTOMER MUST SPECIFY STANDARD OR RoHS PART NUMBER WHEN ORDERING.
- PART MARKING: STANDARD: BLACK INK FOR TRADEMARK AND CAP. CODE. RoHS PART: GREEN FOR TRADEMARK AND CAP. CODE.

**SPECIFICATIONS**

Tusonix Style:	2425-018
Capacitance Value:	1000 pF
Capacitance Tolerance:	-0 % +100%
Temp. Characteristic:	X7R
Rating:	200 VDC @ + 85°C / 100 VDC @ +125°C
Current (A):	20
Operating Range:	-55°C TO +125°C
Insulation Resistance:	10,000 megohms (min.) @ +25°C
DWV @ 2 Sec. Min:	600 VDC

<b>REVISION RECORD</b>	<b>0</b>	Original Release C.O. <b>20040813-3-01</b> ADDED NOTES 3 & 4. S.M. 11-01-05
	<b>1</b>	<b>20051031-1-08</b> CAPACITANCE TOLERANCE REVISED -0% +100% WAS ±20% L.E. 12-14-05
	<b>2</b>	<b>20051214-1-01</b>

--TOLERANCES-- Unless Otherwise Specified	Title <b>MINIATURE BUSHING FEED-THRU</b>
DECIMAL ± .031 [0.79]	Drawn S.M. 08-13-04
ANGLES ±	Approved B.Mc. 08-13-04
<b>TUSONIX</b> TUCSON, ARIZONA	<b>A 2425-018-X7R0-102P</b>