



**Distributor of CTS Electronic Components: Excellent Integrated System Limited**

Datasheet of 2425-018-X7W0-502PLF - CAP FEEDTHRU 5000PF 200V X7W

Contact us: [sales@integrated-circuit.com](mailto:sales@integrated-circuit.com) Website: [www.integrated-circuit.com](http://www.integrated-circuit.com)

---

## **Excellent Integrated System Limited**

Stocking Distributor

Click to view price, real time Inventory, Delivery & Lifecycle Information:

[CTS Electronic Components](#)  
[2425-018-X7W0-502PLF](#)

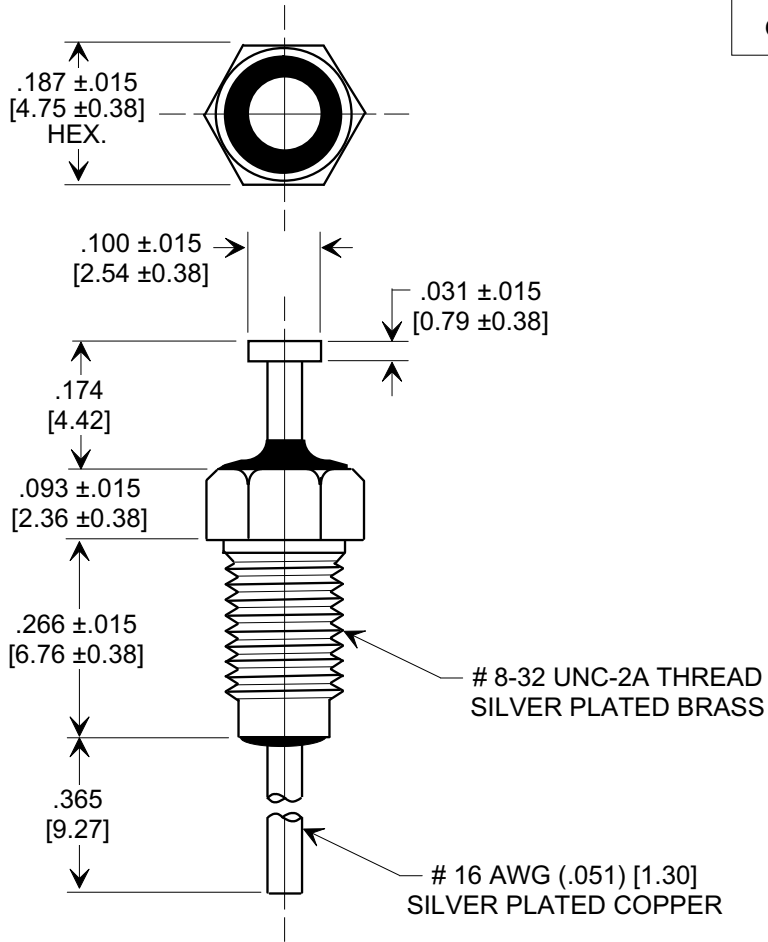
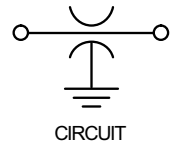
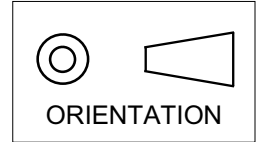
For any questions, you can email us directly:

[sales@integrated-circuit.com](mailto:sales@integrated-circuit.com)

This drawing is the property of Tusonix, Inc., and may not be used, reproduced, published or disclosed to others without expressed authorization by Tusonix Inc.

**Electrical Testing**  
per Tusonix standard  
test plans and Mil-Std-202  
Test Methods.

**MARKETING SALES DRAWING**  
**DIMENSIONS IN INCHES - DO NOT SCALE THIS DRAWING**  
**DIMENSIONS IN METRIC - [ ]**



**NOTES:**

1. SUPPLIED WITH SILVER PLATED HEX NUT AND INTERNAL TOOTH LOCK WASHER.
2. MOUNTING TORQUE NOT TO EXCEED 5 lb - in. MAX. [.565 N-m].
3. TUSONIX STANDARD PART NUMBER: 2425-018-X7W0-502P. TUSONIX RoHS COMPLIANT PART NUMBER: 2425-018-X7W0-502P LF. CUSTOMER MUST SPECIFY STANDARD OR RoHS PART NUMBER WHEN ORDERING.
4. PART MARKING: STANDARD: BLACK INK FOR TRADEMARK AND CAP. CODE. RoHS PART: GREEN FOR TRADEMARK AND CAP. CODE.

**SPECIFICATIONS**

|                        |                                     |
|------------------------|-------------------------------------|
| Tusonix Style:         | 2425-018                            |
| Capacitance Value:     | 5,000 pF                            |
| Capacitance Tolerance: | +100, -0%                           |
| Temp. Characteristic:  | X7W                                 |
| Rating:                | 200 VDC @ + 85°C / 100 VDC @ +125°C |
| Current (A):           | 20                                  |
| Operating Range:       | -55°C TO +125°C                     |
| Insulation Resistance: | 10,000 megohms (min.) @ +25°C       |
| DWV @ 2 Sec. Min:      | 600 VDC                             |

|  |  |  |  |   |
|--|--|--|--|---|
| REVISION RECORD<br>Original Release<br>ECO-2386<br>A |  |  | --TOLERANCES--<br>Unless Otherwise Specified | Title<br><b>MINIATURE BUSHING FEED-THRU</b> |
|  |  |  | DECIMAL ± .031 [0.79]                        | Drawn L.E. 09-06-11                         |
|  |  |  | ANGLES ±                                     | Approved R.L. 09-06-11                      |
|  |  |  | <b>TUSONIX</b><br>TUCSON, ARIZONA            | <b>A</b> 2425-018-X7W0-502P                 |