



**Distributor of CTS Electronic Components: Excellent Integrated System Limited**

Datasheet of 2499-003-X5W0-502PLF - CAP FEEDTHRU 5000PF 500V X5W

Contact us: [sales@integrated-circuit.com](mailto:sales@integrated-circuit.com) Website: [www.integrated-circuit.com](http://www.integrated-circuit.com)

---

## **Excellent Integrated System Limited**

Stocking Distributor

Click to view price, real time Inventory, Delivery & Lifecycle Information:

[CTS Electronic Components](#)  
[2499-003-X5W0-502PLF](#)

For any questions, you can email us directly:

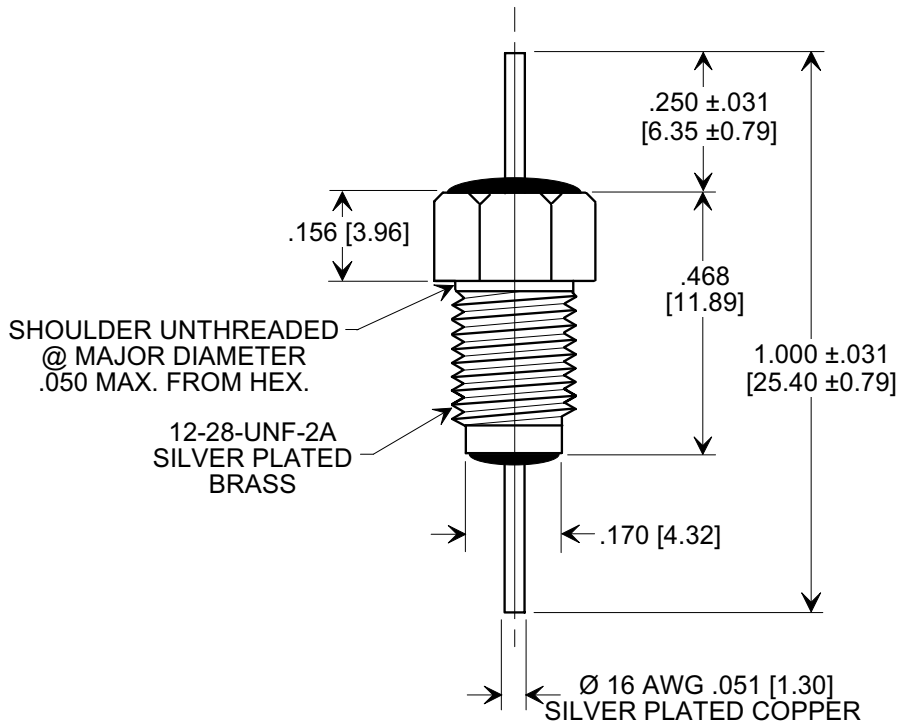
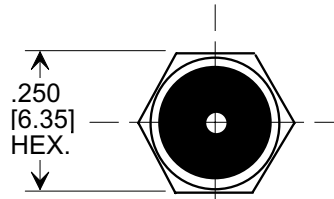
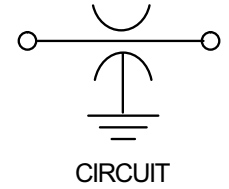
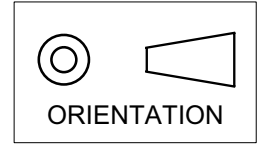
[sales@integrated-circuit.com](mailto:sales@integrated-circuit.com)

**MARKETING SALES DRAWING**

**DIMENSIONS IN INCHES - DO NOT SCALE THIS DRAWING**  
**DIMENSIONS IN METRIC - [ ]**

This drawing is the property of Tusonix, Inc., and may not be used, reproduced, published or disclosed to others without expressed authorization by Tusonix Inc.

**Electrical Testing per Tusonix standard test plans and Mil-Std-202 Test Methods.**



**SPECIFICATIONS**

TUSONIX STYLE.	2499-003
Capacitance Value:	5,000 pF
Capacitance Tolerance:	+100 -0%
Temp. Characteristics:	X5W
Rating:	500 WVDC @ 85 °C
Current (A):	20
IR Min @ 100 vdc	10 GΩ
DWV	1500 VDC
Operating Range:	-55° TO +125°C

**NOTES:**

- SUPPLIED WITH SILVER PLATED HEX NUT AND INTERNAL TOOTH LOCK WASHER.
- TUSONIX STANDARD PART NUMBER: 2499-003-X5W0-502P.  
 TUSONIX R.o.H.S. COMPLIANT PART NUMBER: 2499-003-X5W0-502P LF.  
 CUSTOMER MUST SPECIFY STANDARD OR RoHS PART NUMBER WHEN ORDERING.
- PART MARKING: TRADEMARK, CAPACITANCE CODE AND TOLERANCE CODE STAMPED ON BUSHING HEX FLATS:  
 STANDARD PART: BLACK MARKING.  
 RoHS COMPLIANT PART: GREEN MARKING.

X-2015 Rev-0

<b>REVISION RECORD</b>	Original Release C.O. <b>20040928-3-01</b>	<b>0</b>	ADDED & REVISED NOTES. S.M. 07-24-06	<b>1</b>	REDRAWN BUSHING WITH SHOULDER. S.M. 08-09-06	<b>2</b>	<b>20060712-1-11</b>	TOLERANCES-- Unless Otherwise Specified	Title <b>BUSHING TYPE FEED-THRU CAPACITOR</b>	
	DECIMAL ± .015 [0.38]								Drawn S.M. 09-28-04	Scale <b>3 X</b>
	ANGLES ±								Approved B.Mc. 09-28-04	
	<b>TUSONIX</b> TUCSON, ARIZONA								<b>A</b>	<b>2499-003-X5W0-502P</b>