

## Excellent Integrated System Limited

Stocking Distributor

Click to view price, real time Inventory, Delivery & Lifecycle Information:

[Molex Connector Corporation](#)  
[0015040802](#)

For any questions, you can email us directly:

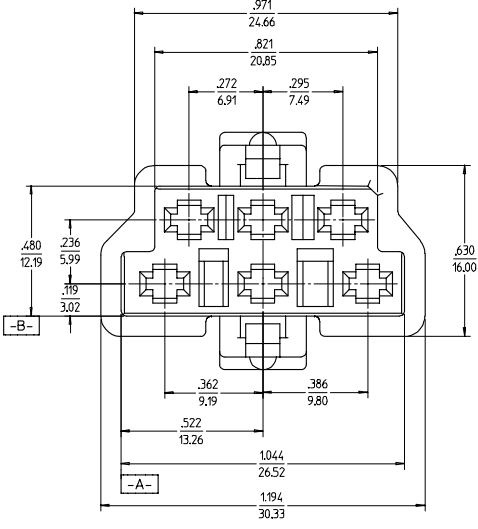
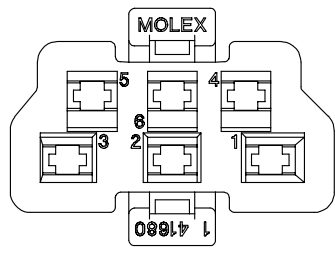
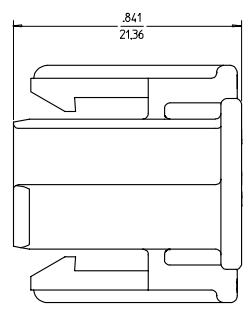
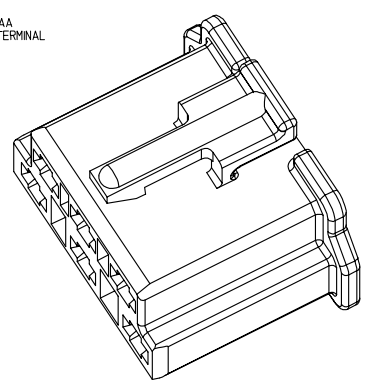
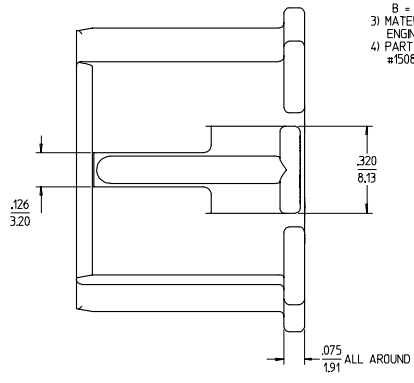
[sales@integrated-circuit.com](mailto:sales@integrated-circuit.com)

12 11 10 9 8 7 6 5 4 3 2 1 41680

PART NUMBER	ENG. NUMBER	MATERIAL (SEE NOTE 1)	FINISH (SEE NOTE 2)
15-04-0802	41680-6AA	A	A
NOT TOOLED	41680-6AB	A	B
NOT TOOLED	41680-6BA	B	A
NOT TOOLED	41680-6BB	B	B

- NOTES:
- MATERIAL:  
A - PA66, UL 94V-2, COLOR-TRANSLUCENT WHITE  
B - PA66, UL 94V-0, COLOR-OPAQUE WHITE
  - FINISH:  
A - NATURAL COLOR  
B - BLUE (DYED)
  - MATERIAL NUMBER = 015040802  
ENGINEERING NUMBER = 41680-6AA
  - PART IS FOR USE WITH MOLEX TERMINAL #1508-5 AND 1508-6.

LEGEND:  
41680 - 6 \* \*  
BASE NUMBER  
CIRCUIT SIZE  
MATERIAL (SEE NOTE 1)  
COLOR (SEE NOTE 2)



REDRAWN/ADD FLANGE IEC NO: UICP2003-00685 DRW: HKANARAD003/02/26 CHK: HKANARAD003/02/26 APPR: EMBRUKUS 2003/02/27	QUALITY SYMBOLS ▽ - 0 ▽ - 0	GENERAL TOLERANCES (UNLESS SPECIFIED) mm INCH 4 PLACES ± --- ± --- 3 PLACES ± --- ± 0.10 2 PLACES ± 0.25 ± 0.015 1 PLACE ± 0.38 ± --- ANGULAR ± 1/2°	SCALE 4:1 DIMENSION STYLE INCH IN/MM	DESIGN UNITS INCH DIMENSION STYLE INCH DATE 8/22/88 DRAWN BY RJF CHECKED BY JTR DATE 8/22/88	THIRD ANGLE PROJECTION REVISE ON CAD ONLY TEMPERATURE SWITCH CONNECTOR HOUSING
		DRAFT WHERE APPLICABLE MUST REMAIN WITHIN DIMENSIONS	APPROVED BY RAS DATE 8/22/88	MOLEX INCORPORATED MATERIAL NO. SEE CHART DOCUMENT NO. SD-41680-6** SHEET NO. 1 OF 1	

11 10 9 8 7 6 5 4 3 2 1