

Excellent Integrated System Limited

Stocking Distributor

Click to view price, real time Inventory, Delivery & Lifecycle Information:

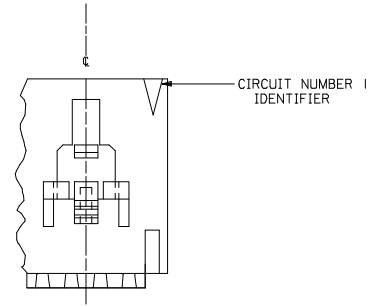
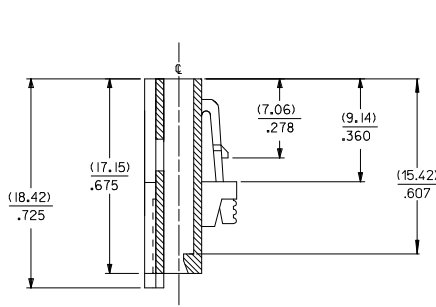
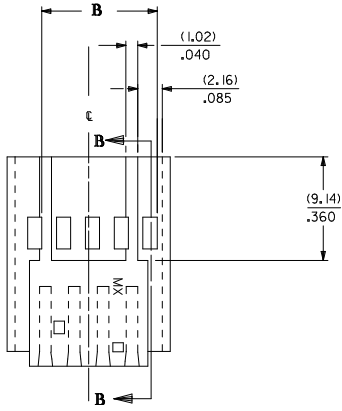
[Molex Connector Corporation](#)
[0015045142](#)

For any questions, you can email us directly:

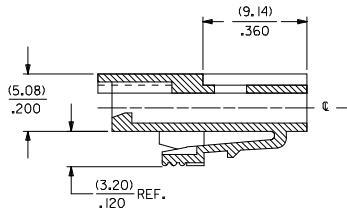
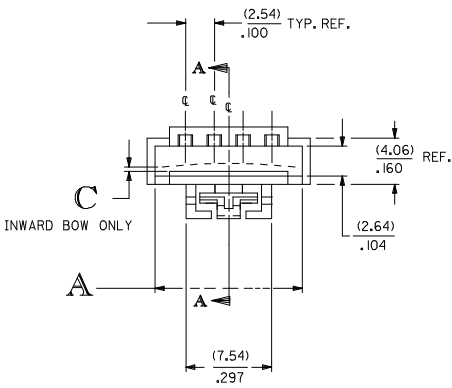
sales@integrated-circuit.com

VERSION "A"

70004-0003-0024



SECTION B-B



SECTION A-A

NOTES:

1. MATERIAL:G.F. POLYESTER, COLOR: BLACK, 94V-0.
2. CIRCUIT SIZES LISTED ON CHART (SEE SHEET 3).
3. FIVE CIRCUIT SHOWN WITH LATCH.
4. USED WITH #70400 SERIES CONNECTORS (OPTION D).
5. PACKAGE PER PK-70004-100.

| | | | | | | | | | |
|---|-------------------------------|--|--------|---|------------|--------------------|--------------|-------------------------------|--|
| REMOVE VERSION "B" EC NO: UCP2008-1088 DRAWN BY: 2007/12/05 CHKD BY: MORGAN 2007/12/07 APPR: SMILLER 2007/12/07 | QUALITY SYMBOLS ▽=0 ▽=0 | GENERAL TOLERANCES (UNLESS SPECIFIED) | | DIMENSION STYLE | | SCALE | DESIGN UNITS | THIRD ANGLE PROJECTION | |
| | | | | MM/IN | | | INCH | | |
| | | 4 PLACES | ± | --- | --- | DRAWN BY | DATE | TITLE | |
| | | 3 PLACES | ± | --- | ± .010 | CHECKED BY | DATE | SALES-INTERIM CLIP SINGLE ROW | |
| 2 PLACES | ± | 0.25 | ± .014 | APPROVED BY | DATE | MOLEX INCORPORATED | | | |
| 1 PLACE | ± | 0.36 | ± | RL | 05/15/1986 | SD-70004-0003-0057 | | | |
| ANGULAR ±1/2° | | DRAFT WHERE APPLICABLE MUST REMAIN WITHIN DIMENSIONS | | MATERIAL NO. | | DOCUMENT NO. | SHEET NO. | | |
| | | | | SEE TABLE | | SD-70004-0003-0057 | | 1 OF 2 | |
| | | | | THIS DRAWING CONTAINS INFORMATION THAT IS PROPRIETARY TO MOLEX INCORPORATED AND SHOULD NOT BE USED WITHOUT WRITTEN PERMISSION | | | | | |

VERSION "A"

WITH LATCH

| EDP NO. | ENG NO. | DIM A | DIM B | DIM C | CKT. SIZE |
|-------------|------------|------------------|------------------|----------------|-----------|
| 015-04-5042 | 70004-0003 | (10.41) .410 | (7.62) .300 | (0.25) .010 | 4 |
| 015-04-5052 | 70004-0004 | (12.95) .510 | (10.16) .400 | (0.33) .013 | 5 |
| 015-04-5062 | 70004-0005 | (15.49) .610 | (12.70) .500 | (0.38) .015 | 6 |
| 015-04-5072 | 70004-0006 | (18.03) .710 | (15.24) .600 | (0.46) .018 | 7 |
| 015-04-5082 | 70004-0007 | (20.57) .810 | (17.78) .700 | (0.51) .020 | 8 |
| 015-04-5092 | 70004-0008 | (23.11) .910 | (20.32) .800 | (0.58) .023 | 9 |
| 015-04-5102 | 70004-0009 | (25.65) 1.010 | (22.86) .900 | (0.64) .025 | 10 |
| 015-04-5112 | 70004-0010 | (28.19) 1.110 | (25.40) 1.000 | (0.71) .028 | 11 |
| 015-04-5122 | 70004-0011 | (30.73) 1.210 | (27.94) 1.100 | (0.76) .030 | 12 |
| 015-04-5132 | 70004-0012 | (33.27) 1.310 | (30.48) 1.200 | (0.84) .033 | 13 |
| 015-04-5142 | 70004-0013 | (35.81) 1.410 | (33.02) 1.300 | (0.89) .035 | 14 |
| 015-04-5152 | 70004-0014 | (38.35) 1.510 | (35.56) 1.400 | (0.96) .038 | 15 |
| 015-04-5162 | 70004-0015 | (40.89) 1.610 | (38.10) 1.500 | (1.02) .040 | 16 |
| 015-04-5172 | 70004-0016 | (43.43) 1.710 | (40.64) 1.600 | (1.09) .043 | 17 |
| 015-04-5182 | 70004-0017 | (45.97) 1.810 | (43.18) 1.700 | (1.14) .045 | 18 |
| 015-04-5192 | 70004-0018 | (48.51) 1.910 | (45.72) 1.800 | (1.22) .048 | 19 |
| 015-04-5202 | 70004-0019 | (51.05) 2.010 | (48.26) 1.900 | (1.27) .050 | 20 |
| 015-04-5212 | 70004-0020 | (53.59) 2.110 | (50.80) 2.000 | (1.35) .053 | 21 |
| 015-04-5222 | 70004-0021 | (56.13) 2.210 | (53.34) 2.100 | (1.40) .055 | 22 |
| 015-04-5232 | 70004-0022 | (58.67) 2.310 | (55.88) 2.200 | (1.47) .058 | 23 |
| 015-04-5242 | 70004-0023 | (61.21) 2.410 | (58.42) 2.300 | (1.52) .060 | 24 |
| 015-04-5252 | 70004-0024 | (63.73) 2.510 | (60.96) 2.400 | (1.60) .063 | 25 |

| REMOVE VERSION "B" EC NO: UCP2008-1088 DRAWN BY: 2007/12/05 CHKD BY: 2007/12/07 APPR: SMILLER 2007/12/07 DESCRIPTION: | QUALITY SYMBOLS ▽=0 ▽=0 | GENERAL TOLERANCES (UNLESS SPECIFIED) <table border="1"> <tr> <th></th> <th>mm</th> <th>INCH</th> </tr> <tr> <td>4 PLACES</td> <td>±.005</td> <td>±.0004</td> </tr> <tr> <td>3 PLACES</td> <td>±.008</td> <td>±.0005</td> </tr> <tr> <td>2 PLACES</td> <td>±.015</td> <td>±.0010</td> </tr> <tr> <td>1 PLACE</td> <td>±.030</td> <td>±.0012</td> </tr> </table> ANGULAR ±1/2° | | mm | INCH | 4 PLACES | ±.005 | ±.0004 | 3 PLACES | ±.008 | ±.0005 | 2 PLACES | ±.015 | ±.0010 | 1 PLACE | ±.030 | ±.0012 | DIMENSION STYLE MM/IN DRAWN BY: WJF DATE: 05/15/1986 CHECKED BY: MG DATE: 05/15/1986 APPROVED BY: RL DATE: 05/15/1986 | SCALE: 1:1 DESIGN UNITS: INCH THIRD ANGLE PROJECTION | TITLE: SALES-INTERIM CLIP SINGLE ROW |
|---|-------------------------------|--|------------------------------------|---------------------|---|----------|-------|--------|----------|-------|--------|----------|-------|--------|---------|-------|--------|---|--|--------------------------------------|
| | | mm | INCH | | | | | | | | | | | | | | | | | |
| | 4 PLACES | ±.005 | ±.0004 | | | | | | | | | | | | | | | | | |
| | 3 PLACES | ±.008 | ±.0005 | | | | | | | | | | | | | | | | | |
| 2 PLACES | ±.015 | ±.0010 | | | | | | | | | | | | | | | | | | |
| 1 PLACE | ±.030 | ±.0012 | | | | | | | | | | | | | | | | | | |
| DRAFT WHERE APPLICABLE MUST REMAIN WITHIN DIMENSIONS | SEE TABLE | MATERIAL NO. MOLEX INCORPORATED | DOCUMENT NO. SD-70004-0003-0057 | SHEET NO. 2 OF 2 | THIS DRAWING CONTAINS INFORMATION THAT IS PROPRIETARY TO MOLEX INCORPORATED AND SHOULD NOT BE USED WITHOUT WRITTEN PERMISSION | | | | | | | | | | | | | | | |