

Excellent Integrated System Limited

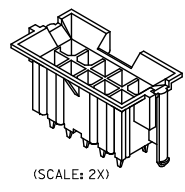
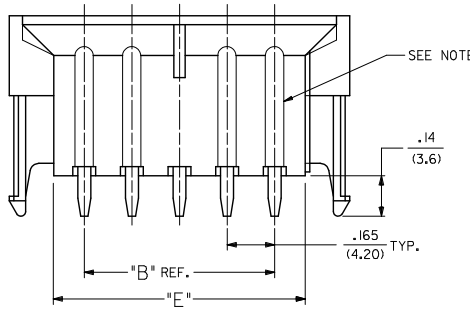
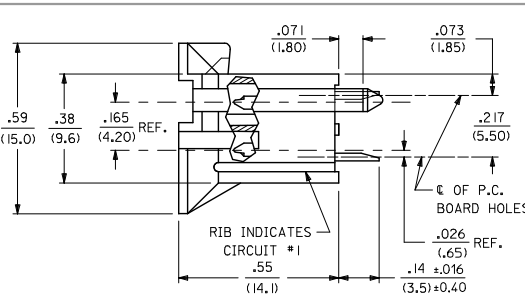
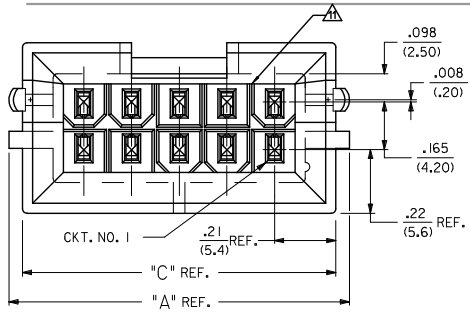
Stocking Distributor

Click to view price, real time Inventory, Delivery & Lifecycle Information:

[Molex Connector Corporation](#)
[0015246042](#)

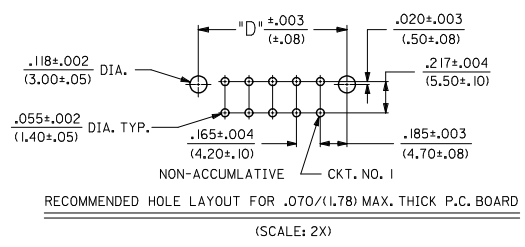
For any questions, you can email us directly:

sales@integrated-circuit.com



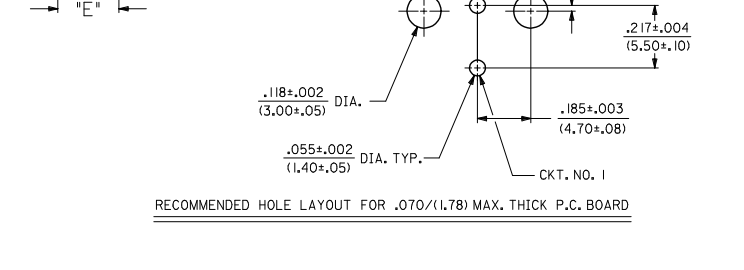
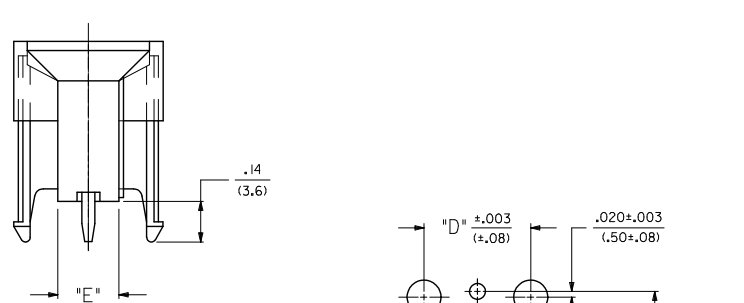
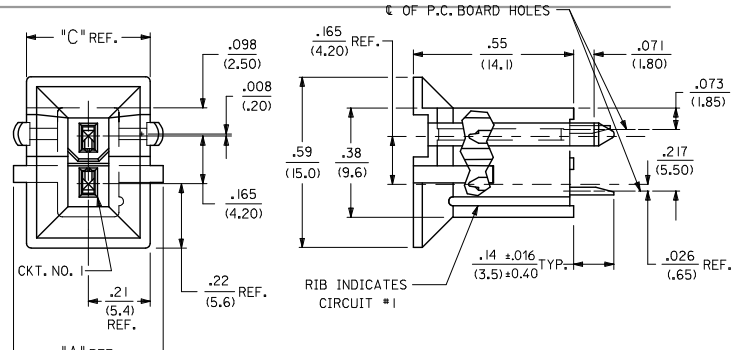
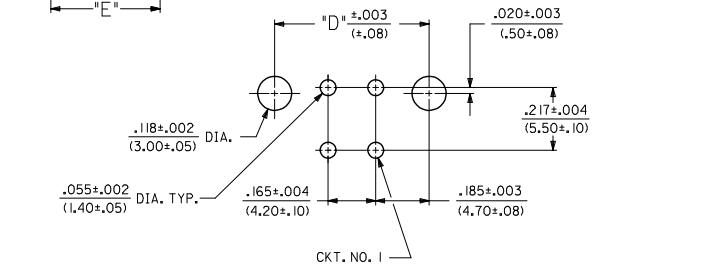
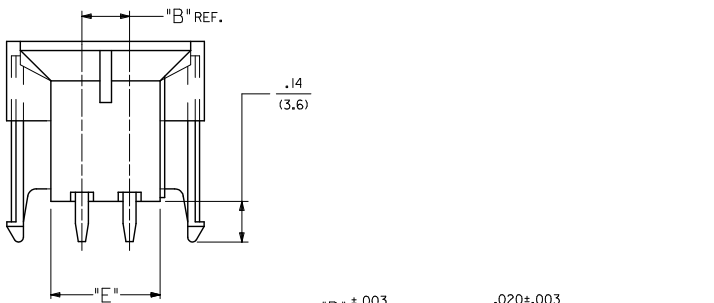
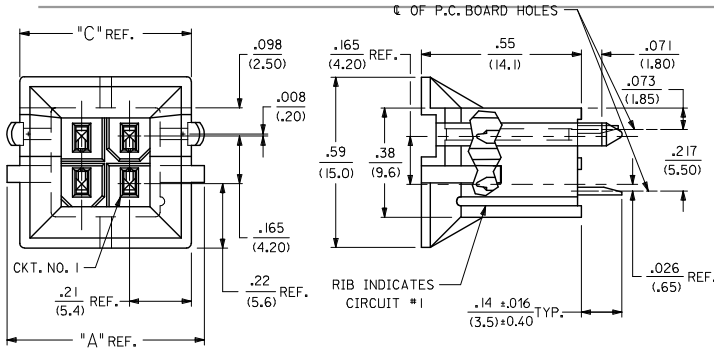
CIRCUIT SIZE	DIM. 'A'	DIM. 'B'	DIM. 'C'	DIM. 'D'	DIM. 'E'
2	.520 (13.20)	—	.425 (10.80)	.370 (9.40)	.21 (5.4)
4	.685 (17.40)	.17 (4.2)	.590 (15.00)	.535 (13.60)	.38 (9.6)
6	.850 (21.60)	.33 (8.4)	.756 (19.20)	.701 (17.80)	.54 (13.8)
8	1.016 (25.80)	.50 (12.6)	.921 (23.40)	.866 (22.00)	.71 (18.0)
10	1.181 (30.00)	.66 (16.8)	1.087 (27.60)	1.031 (26.20)	.87 (22.2)
12	1.346 (34.20)	.83 (21.0)	1.252 (31.80)	1.197 (30.40)	1.04 (26.4)
14	1.512 (38.40)	.99 (25.2)	1.417 (36.00)	1.362 (34.60)	1.20 (30.6)
16	1.677 (42.60)	1.16 (29.4)	1.583 (40.20)	1.528 (38.80)	1.37 (34.8)
18	1.843 (46.80)	1.32 (33.6)	1.748 (44.40)	1.693 (43.00)	1.54 (39.0)
20	2.008 (51.00)	1.49 (37.8)	1.913 (48.60)	1.858 (47.20)	1.70 (43.2)
22	2.173 (55.20)	1.65 (42.0)	2.079 (52.80)	2.024 (51.40)	1.87 (47.4)
24	2.339 (59.40)	1.82 (46.2)	2.244 (57.00)	2.189 (55.60)	2.03 (51.6)

LEGEND:
 A - 42440 - * * * *
 BASE NUMBER
 CIRCUIT SIZE (02-24)
 PLATING (SEE NOTE 2.)
 HOUSING MAT'L. & OPTIONS (SEE NOTE 1.)



---22, ---23	42474---21, 5556-GS*P	94V-0	BRASS	GOLD
---12, ---13	42474---11, 5556-GS*P	94V-2	BRASS	TIN
---21	42474---21, 5556-S*P	94V-0	BRASS	TIN
---11	42474---11, 5556-S*P	94V-2	BRASS	TIN
---22, ---23, ---12, ---13, ---21	A-42385---B2, ---B4	94V-0	BRASS	GOLD
---12, ---13, ---21	A-42385---A2, ---A4	94V-2	BRASS	GOLD
---21	A-42385---B1	94V-0	BRASS	TIN
---11	A-42385---A1	94V-2	BRASS	TIN
VERT. HEADER A-42440	MATING CONNECTOR	HSG. MAT'L. TERM. MAT'L. PLATING	MATING CONNECTOR FEATURES	

ADD. 0.40 TOL. EC NO: UCP2015-0706 2017/08/20 DRAWING: NGUYEN CHKD: BELL 2017/08/20 APPR: SMITH 2017/09/05 Q5	QUALITY SYMBOLS 	GENERAL TOLERANCES (UNLESS SPECIFIED) mm INCH 4 PLACES ± --- ± --- 3 PLACES ± --- ± .010 2 PLACES ± 0.25 ± .015 1 PLACE ± 0.38 ± --- ANGULAR ± 5°	DIMENSION STYLE IN/MM DRAWN BY: GEP DATE: 1989/04/06 CHECKED BY: RJF DATE: 1989/04/06 APPROVED BY: F SMITH DATE: 2011/02/11	SCALE: 4:1 DESIGN UNITS: METRIC THIRD ANGLE PROJECTION	MINI-FIT B.M.I. VERTICAL HEADER ASSY	MOLEX INCORPORATED	MATERIAL NO. DOCUMENT NO. SDA-42440-**** SHEET NO. 1 OF 4



RECOMMENDED HOLE LAYOUT FOR .070/(1.78) MAX. THICK P.C. BOARD

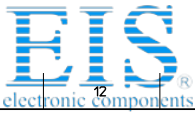
SEE SHEET 1 EC NO: UCP2013-0706 DRAWING NO: 2017/08/20 CHKD: BELL APPR: SMITH 2017/09/05	QUALITY SYMBOLS	GENERAL TOLERANCES (UNLESS SPECIFIED)	DIMENSION STYLE	SCALE	DESIGN UNITS	THIRD ANGLE PROJECTION
		mm INCH	IN/MM	1:1	METRIC	
		4 PLACES ± --- ± ---	DRAWN BY DATE	TITLE		
		3 PLACES ± --- ± .010	GEP 1989/04/06	MINI-FIT B.M.I. VERTICAL HEADER ASSY		
	2 PLACES ± 0.25 ± .015	CHECKED BY DATE	MOLEX INCORPORATED			
	1 PLACE ± 0.38 ± ---	RJF 1989/04/06	SDA-42440-****			
	ANGULAR ± 5°	APPROVED BY DATE	SHEET NO. 2 OF 4			
		FSMITH 2011/02/11	THIS DRAWING CONTAINS INFORMATION THAT IS PROPRIETARY TO MOLEX INCORPORATED AND SHOULD NOT BE USED WITHOUT WRITTEN PERMISSION			
	DRAFT WHERE APPLICABLE MUST REMAIN WITHIN DIMENSIONS	MATERIAL NO.	SEE CHART	DOCUMENT NO.		

NOTES:

- 1) MATERIAL:
 - HOUSING MATERIAL:
 - 1 = NYLON 6/6, UNFILLED UL 94V-2, COLOR: NATURAL
 - 2 = NYLON 6/6, UNFILLED UL 94V-0, COLOR: NATURAL
 - TERMINALS: BRASS
- 2) TERMINAL PLATING:
 - S = .000100/(0.00254) MIN, BRIGHT TIN OVER .000050/(0.00127) MIN, NICKEL
 - GS = .000030/(0.00076) MIN, SELECT GOLD AND .000100/(0.00254) MIN, SELECT MATTE TIN OVER .000050/(0.00127) MIN, NICKEL OVERALL
 - GS3 = .000050/(0.00127) MIN, SELECT GOLD AND .000100/(0.00254) MIN, SELECT MATTE TIN OVER .000050/(0.00127) MIN, NICKEL OVERALL
- 3) PRODUCT SPECIFICATION: PS-5556-002
- 4) PACKAGING: SEE CHARTS
- 5) 6-24 CIRCUIT PARTS MATE WITH MINI-FIT JR. RECEPTACLES 5557, 42474, 44516 AND HEADERS 42385, 2 AND 4 CIRCUIT PARTS MATE WITH 42385, 44516 AND 42474 ONLY.
- 6) PART ALLOWS FOR UP TO .100/(2.54) MISALIGNMENT WITH MATING RECEPTACLE IN ANY DIRECTION. SEE MATING CONNECTOR DRAWINGS FOR SPECIFIC ALLOWANCES.
- 7) CONNECTOR IS NOT DESIGNED FOR CURRENT SHARING.
- 8) CONNECTOR ASSEMBLIES ARE NOT BE MATED OR UNMATED WHILE CIRCUITS ARE LIVE.
- 9) RIB LOCATION IS DETERMINED BY MOLD DESIGN FOR MANUFACTURING EASE AND THE LOCATION DOES NOT AFFECT PART FUNCTION OR PERFORMANCE. LOCATION OF RIBS MAY VARY ON PARTS WITHIN MAUFACTURING LOT OR SHIPMENT. THIS DRAWING SHOWS TYPICAL RIB LOCATIONS.
- 10) PART CONFORMS TO CLASS "B" REQUIREMENTS OF COSMETIC SPECIFICATION PS-45499-002.

11) 12 CIRCUIT PARTS HAVE A SLOT BETWEEN CIRCUITS 7 AND 8.

SEE SHEET 1 EC NO: UCP2013-0706 DRAWING NO: 2017/08/20 CHKD: BELL APPR: SMITH 2017/09/05	QUALITY SYMBOLS ▽=0 ▽=0 ▽=0	GENERAL TOLERANCES (UNLESS SPECIFIED)		DIMENSION STYLE		SCALE	DESIGN UNITS	THIRD ANGLE PROJECTION		
				IN/MM		1:1	METRIC			
		4 PLACES ± --- ± ---		DRAWN BY		DATE		MINI-FIT B.M.I. VERTICAL HEADER ASSY		
		3 PLACES ± --- ± .010		GEP		1989/04/06				
2 PLACES ± 0.25 ± .015		CHECKED BY		DATE		MOLEX INCORPORATED				
1 PLACE ± 0.38 ± ---		R.J.F		1989/04/06						
ANGULAR ± 5 °		APPROVED BY		DATE		SDA-42440-**** SHEET NO. 3 OF 4				
DRAFT WHERE APPLICABLE MUST REMAIN WITHIN DIMENSIONS		F.S.M.I.T.H		2011/02/11						
		MATERIAL NO.		DOCUMENT NO.						
		SEE CHART		SDA-42440-****						
		SIZE C		THIS DRAWING CONTAINS INFORMATION THAT IS PROPRIETARY TO MOLEX INCORPORATED AND SHOULD NOT BE USED WITHOUT WRITTEN PERMISSION						



Distributor of Molex Connector Corporation: Excellent Integrated System Limited

Datasheet of 0015246042 - CONN HEADER 4POS VERT T/H

Contact us: sales@integrated-circuit.com Website: www.integrated-circuit.com

PLATING: TIN (SEE NOTE 2 OPTION 'S')				PLATING: TIN (SEE NOTE 2 OPTION 'S')				PLATING: 30 M.I. SELECT GOLD (SEE NOTE 2 OPTION 'GS')				PLATING: 30 M.I. SELECT GOLD (SEE NOTE 2 OPTION 'GS')			
DRAINS: WITHOUT DRAIN HOLES				DRAINS: WITHOUT DRAIN HOLES				DRAINS: WITHOUT DRAIN HOLES				DRAINS: WITHOUT DRAIN HOLES			
PEGS: WITH PEGS				PEGS: WITH PEGS				PEGS: WITH PEGS				PEGS: WITH PEGS			
MAT'L: 94V-2 [NATURAL]				MAT'L: 94V-0 [NATURAL]				MAT'L: 94V-2 [NATURAL]				MAT'L: 94V-0 [NATURAL]			
PACKAGING: TRAY PER PK-42440-001				PACKAGING: TRAY PER PK-42440-001				PACKAGING: TRAY PER PK-42440-001				PACKAGING: TRAY PER PK-42440-001			
PART NO.	ENG NO.		CKTS	PART NO.	ENG NO.		CKTS	PART NO.	ENG NO.		CKTS	PART NO.	ENG NO.		CKTS
NO EDP	A-42440-021I	-	2	NO EDP	A-42440-022I	-	2	NO EDP	A-42440-0212	-	2	NO EDP	A-42440-0222	-	2
15-24-6041	A-42440-041I	-	4	15-24-6042	A-42440-042I	-	4	15-28-6041	A-42440-0412	-	4	15-28-6042	A-42440-0422	-	4
15-24-6061	A-42440-061I	-	6	15-24-6062	A-42440-062I	-	6	15-28-6061	A-42440-0612	-	6	15-28-6062	A-42440-0622	-	6
NO EDP	A-42440-081I	-	8	NO EDP	A-42440-082I	-	8	NO EDP	A-42440-0812	-	8	NO EDP	A-42440-0822	-	8
15-24-6101	A-42440-101I	-	10	15-24-6102	A-42440-102I	-	10	15-28-6101	A-42440-1012	-	10	15-28-6102	A-42440-1022	-	10
15-24-6121	A-42440-121I	-	12	15-24-6122	A-42440-122I	-	12	15-28-6121	A-42440-1212	-	12	15-28-6122	A-42440-1222	-	12
15-24-6141	A-42440-141I	-	14	15-24-6142	A-42440-142I	-	14	15-28-6141	A-42440-1412	-	14	15-28-6142	A-42440-1422	-	14
15-24-6161	A-42440-161I	-	16	15-24-6162	A-42440-162I	-	16	15-28-6161	A-42440-1612	-	16	15-28-6162	A-42440-1622	-	16
15-24-6181	A-42440-181I	-	18	15-24-6182	A-42440-182I	-	18	15-28-6181	A-42440-1812	-	18	15-28-6182	A-42440-1822	-	18
NO EDP	A-42440-201I	-	20	NO EDP	A-42440-202I	-	20	NO EDP	A-42440-2012	-	20	NO EDP	A-42440-2022	-	20
NO EDP	A-42440-221I	-	22	NO EDP	A-42440-222I	-	22	NO EDP	A-42440-2212	-	22	NO EDP	A-42440-2222	-	22
15-24-6241	A-42440-241I	-	24	15-24-6242	A-42440-242I	-	24	15-28-6241	A-42440-2412	-	24	15-28-6242	A-42440-2422	-	24

PLATING: 50 M.I. SELECT GOLD (SEE NOTE 2 OPTION 'GS3')				PLATING: 50 M.I. SELECT GOLD (SEE NOTE 2 OPTION 'GS3')				PLATING:				PLATING:			
DRAINS: WITHOUT DRAIN HOLES				DRAINS: WITHOUT DRAIN HOLES				DRAINS:				DRAINS:			
PEGS: WITH PEGS				PEGS: WITH PEGS				PEGS:				PEGS:			
MAT'L: 94V-2 [NATURAL]				MAT'L: 94V-0 [NATURAL]				MAT'L:				MAT'L:			
PACKAGING: TRAY PER PK-42440-001				PACKAGING: TRAY PER PK-42440-001				PACKAGING:				PACKAGING:			
PART NO.	ENG NO.		CKTS	PART NO.	ENG NO.		CKTS	PART NO.	ENG NO.		CKTS	PART NO.	ENG NO.		CKTS
NO EDP	A-42440-0213	-	2	NO EDP	A-42440-0223	-	2	NO EDP	-	-	2	NO EDP	-	-	2
NO EDP	A-42440-0413	-	4	NO EDP	A-42440-0423	-	4	NO EDP	-	-	4	NO EDP	-	-	4
NO EDP	A-42440-0613	-	6	NO EDP	A-42440-0623	-	6	NO EDP	-	-	6	NO EDP	-	-	6
NO EDP	A-42440-0813	-	8	NO EDP	A-42440-0823	-	8	NO EDP	-	-	8	NO EDP	-	-	8
NO EDP	A-42440-1013	-	10	NO EDP	A-42440-1023	-	10	NO EDP	-	-	10	NO EDP	-	-	10
NO EDP	A-42440-1213	-	12	NO EDP	A-42440-1223	-	12	NO EDP	-	-	12	NO EDP	-	-	12
NO EDP	A-42440-1413	-	14	NO EDP	A-42440-1423	-	14	NO EDP	-	-	14	NO EDP	-	-	14
NO EDP	A-42440-1613	-	16	NO EDP	A-42440-1623	-	16	NO EDP	-	-	16	NO EDP	-	-	16
NO EDP	A-42440-1813	-	18	NO EDP	A-42440-1823	-	18	NO EDP	-	-	18	NO EDP	-	-	18
NO EDP	A-42440-2013	-	20	NO EDP	A-42440-2023	-	20	NO EDP	-	-	20	NO EDP	-	-	20
NO EDP	A-42440-2213	-	22	NO EDP	A-42440-2223	-	22	NO EDP	-	-	22	NO EDP	-	-	22
NO EDP	A-42440-2413	-	24	NO EDP	A-42440-2423	-	24	NO EDP	-	-	24	NO EDP	-	-	24

SEE SHEET 1 EC NO: UCP2013-0706 2017/08/20 DRAWING/EN CHKD: BELL 2017/08/20 APPROV: SMITH Q5 REV	QUALITY SYMBOLS 	GENERAL TOLERANCES (UNLESS SPECIFIED)		DIMENSION STYLE		SCALE	DESIGN UNITS	THIRD ANGLE PROJECTION			
		4 PLACES ± --- ± --- 3 PLACES ± --- ± .010 2 PLACES ± 0.25 ± .015 1 PLACE ± 0.38 ± --- ANGULAR ± 5°		IN/MM		1:1	METRIC				
		DRAWN BY: GEP CHECKED BY: R.J.F. APPROVED BY: F.S.MITH DATE: 1989/04/06 DATE: 2011/02/11		MATERIAL NO. SEE CHART DOCUMENT NO. SDA-42440-****		TITLE: MINI-FIT B.M.I. VERTICAL HEADER ASSY		MOLEX INCORPORATED		SHEET NO. 4 OF 4	
		DRAFT WHERE APPLICABLE MUST REMAIN WITHIN DIMENSIONS		SIZE C		THIS DRAWING CONTAINS INFORMATION THAT IS PROPRIETARY TO MOLEX INCORPORATED AND SHOULD NOT BE USED WITHOUT WRITTEN PERMISSION					