



Distributor of Molex Connector Corporation: Excellent Integrated System Limited
Datasheet of 0015247067 - Connector Receptacle 6 Position 0.165" (4.20mm) Gold Through Hole

Contact us: sales@integrated-circuit.com Website: www.integrated-circuit.com

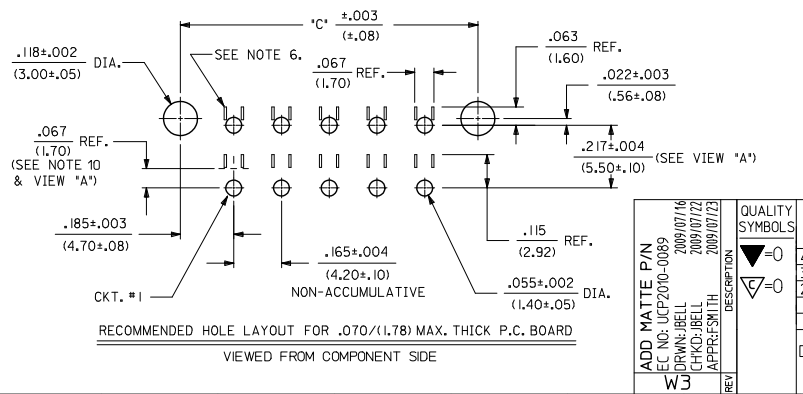
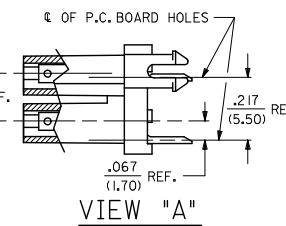
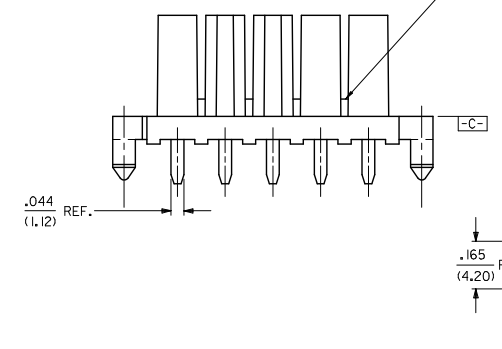
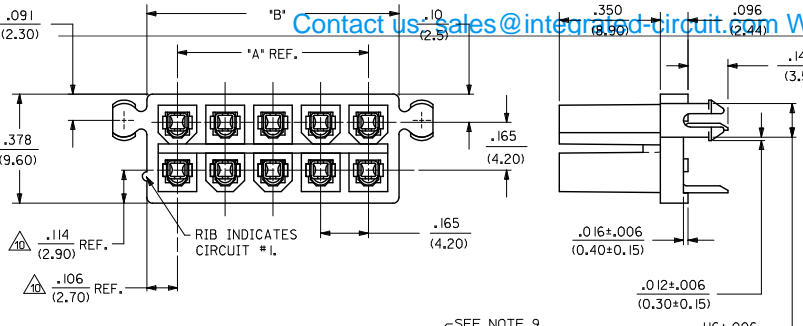
Excellent Integrated System Limited

Stocking Distributor

Click to view price, real time Inventory, Delivery & Lifecycle Information:

[Molex Connector Corporation](#)
[0015247067](#)

For any questions, you can email us directly:
sales@integrated-circuit.com



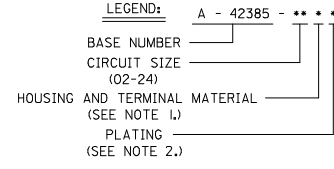
NOTES:

- HOUSING AND TERMINAL MATERIAL:
 - TERMINAL: BRASS, ALLOY 260.
 - B - HOUSING : NYLON 6/6, U.L. 94V-0, COLOR NATURAL. TERMINAL: BRASS, ALLOY 260.
 - C - HOUSING : NYLON 6/6, U.L. 94V-2, COLOR NATURAL. TERMINAL: PHOS. BRONZE, ALLOY 510.
 - D - HOUSING : NYLON 6/6, U.L. 94V-0, COLOR NATURAL. TERMINAL: PHOS. BRONZE, ALLOY 510.
- TERMINAL PLATING:
 - 1 - .000100/(.00254) MIN. BRIGHT TIN OVER .000050/(.00127) MIN. NICKEL.
 - 2 - .000030/(.00076) MIN. SELECT GOLD AND .000100/(.00254) MIN. SELECT MATTE TIN OVER .000050/(.00127) MIN. NICKEL OVERALL.
 - 3 - .000100/(.00254) MIN. MATTE TIN OVER .000050/(.00127) MIN. NICKEL.
 - 4 - .000050/(.00127) MIN. SELECT GOLD AND .000100/(.00254) MIN. SELECT MATTE TIN OVER .000050/(.00127) MIN. NICKEL OVERALL.
- PRODUCT SPECIFICATION AND PROCESSING PARAMETERS: PS-5556-002.
- TRAY PACK PER PK-42385-999.
- PART MATES WITH MINI-FIT B.M.I. PLUG #42475 AND HEADERS 42404,42440,43810,43879, AND 44068
- PHANTOM LINES INDICATE AREAS WHERE TERMINAL STANDOFFS CONTACT P.C. BOARD.

| CIRCUIT SIZE | DIM. 'A' | DIM. 'B' | DIM. 'C' |
|--------------|---------------|-------------|---------------|
| 2 | | .21 (5.4) | .370 (9.40) |
| 4 | .165 (4.20) | .38 (9.6) | .535 (13.60) |
| 6 | .331 (8.40) | .54 (13.8) | .701 (17.80) |
| 8 | .496 (12.60) | .71 (18.0) | .866 (22.00) |
| 10 | .661 (16.80) | .87 (22.2) | 1.031 (26.20) |
| 12 | .827 (21.00) | 1.04 (26.4) | 1.197 (30.40) |
| 14 | .992 (25.20) | 1.20 (30.6) | 1.362 (34.60) |
| 16 | 1.157 (29.40) | 1.37 (34.8) | 1.528 (38.80) |
| 18 | 1.323 (33.60) | 1.54 (39.0) | 1.693 (43.00) |
| 20 | 1.488 (37.80) | 1.70 (43.2) | 1.858 (47.20) |
| 22 | 1.654 (42.00) | 1.87 (47.4) | 2.024 (51.40) |
| 24 | 1.819 (46.20) | 2.03 (51.6) | 2.189 (55.60) |

Δ A MAXIMUM TOLERANCE OF .050/(1.27) ALLOWS FOR 2 POINTS OF ELECTRICAL CONTACT. A MAXIMUM TOLERANCE OF .020/(.51) ALLOWS FOR 4 POINTS OF CONTACT.

- 8) .016 IN/IN OR .016 MM/MM MAX. BOW ALLOWABLE AT DATUM [C].
- 9) RB MAY NOT BE PRESENT ON ALL PARTS.
- 10) DIMENSION TO BE USED FOR ALIGNMENT OF CIRCUIT #1 OF MATING CONNECTOR
- 11) CONNECTOR ASSEMBLIES ARE NOT TO BE MATED OR UNMATED WHILE CIRCUITS ARE LIVE.
- 12) PARTS NOT DESIGNED FOR CURRENT SHARING.
- 13) WHEN THIS PRODUCT IS USED IN A BLIND MATING APPLICATION, THE SYSTEM LEVEL DESIGN MUST INCORPORATE GUIDANCE SO THE CONNECTORS ARE WITHIN THE CAPTURE ENVELOPE (UP TO 1.100/2.54) MISALIGNMENT) OF THE FLANGES ON THE HEADER OR PLUG HOUSING AND CAN THUS ALIGN THEMSELVES AS THEY COME TOGETHER. FLOAT IS ALSO REQUIRED IN THE OVERALL DESIGN, TO ALLOW THE PCB RECEPTACLE OR IT'S MATE TO MOVE INTO A STRESS-FREE POSITION AFTER MATING. IN BOARD TO BOARD APPLICATIONS, ONLY ONE HEADER IS ALLOWED PER P.C. BOARD.
- 14) PARTS CONFORM TO CLASS 'B' REQUIREMENTS OF COSMETIC SPECIFICATION PS-45499-002.



| | |
|-----------|----|
| 4 | W3 |
| 3 | W |
| 2 | W1 |
| 1 | W3 |
| SHEET REV | |

| | | | | | | | | | |
|--|-------------------------------|---|------------------|-------|--------------|--|--|-----------------------------|---------------------|
| ADD MATTE P/N REC NO: UCP2010-0069 DRWN: JELL CHKD: BELL APPR: SMITH DATE: 2009/07/16 DATE: 2009/07/22 DATE: 2009/07/23 | QUALITY SYMBOLS ▽=0 ▽=0 | GENERAL TOLERANCES (UNLESS SPECIFIED) | DIMENSION STYLE | SCALE | DESIGN UNITS | THIRD ANGLE PROJECTION | TITLE RECEPTACLE HEADER ASSY MINI-FIT SERIES BLIND MATE | DOCUMENT NO. SDA-42385-* | SHEET NO. 1 OF 4 |
| | | 4 PLACES ±.001 ±.001 3 PLACES ±.001 ±.010 2 PLACES ±0.25 ±.015 1 PLACE ±0.38 ±.015 | IN/MM | 1:1 | METRIC | INCORPORATED AND SHOULD NOT BE USED WITHOUT WRITTEN PERMISSION | | | |
| DRAFT WHERE APPLICABLE MUST REMAIN WITHIN DIMENSIONS | | | DRAWN BY DATE | | | | MATERIAL NO. | | |
| | | | R/JF 1988/12/09 | | | | MOLEX INCORPORATED | | |
| | | | CHECKED BY DATE | | | | | | |
| | | | JTR 1988/12/09 | | | | | | |
| | | | APPROVED BY DATE | | | | | | |
| | | | RAS 1988/12/09 | | | | | | |

Contact us: sales@integrated-circuit.com Website: www.integrated-circuit.com



Distributor of Molex Connector Corporation: Excellent Integrated System Limited
 Datasheet of 0015247067 - Connector Receptacle 6 Position 0.165" (4.20mm) Gold Through Hole

Copyright © 1988 Molex Incorporated. Website: www.integrated-circuit.com

| 13 | 12 | 11 | 10 | 9 | 8 | 7 | 6 | 5 | 4 | 3 | 2 | 1 |
|-------------|-------------|-------------|-------------|-------------|-------------|-------------|-------------|-------------|-------------|-------------|-------------|-------------|
| NO E.D.P. | NO E.D.P. | NO E.D.P. | NO E.D.P. | NO E.D.P. | NO E.D.P. | NO E.D.P. | NO E.D.P. | NO E.D.P. | NO E.D.P. | NO E.D.P. | NO E.D.P. | NO E.D.P. |
| 15-24-7041 | 15-24-7061 | 15-24-7101 | 15-24-7141 | 15-24-7161 | 15-24-7181 | 15-24-7241 | 15-24-7043 | 15-24-7063 | 15-24-7103 | 15-24-7143 | 15-24-7163 | 15-24-7183 |
| -04B1 | -06B1 | -08B1 | -10B1 | -12B1 | -14B1 | -16B1 | -04B2 | -06B2 | -08B2 | -10B2 | -12B2 | -14B2 |
| 94V-0/BRASS | 94V-0/BRASS | 94V-0/BRASS | 94V-0/BRASS | 94V-0/BRASS | 94V-0/BRASS | 94V-0/BRASS | 94V-0/BRASS | 94V-0/BRASS | 94V-0/BRASS | 94V-0/BRASS | 94V-0/BRASS | 94V-0/BRASS |
| 2 | 4 | 6 | 8 | 10 | 12 | 14 | 2 | 4 | 6 | 8 | 10 | 12 |
| 42385 | | | | | | | | | | | | |

| 13 | 12 | 11 | 10 | 9 | 8 | 7 | 6 | 5 | 4 | 3 | 2 | 1 |
|-------------|-------------|-------------|-------------|-------------|-------------|-------------|------------|------------|------------|------------|------------|------------|
| NO E.D.P. | NO E.D.P. | NO E.D.P. | NO E.D.P. | NO E.D.P. | NO E.D.P. | NO E.D.P. | NO E.D.P. | NO E.D.P. | NO E.D.P. | NO E.D.P. | NO E.D.P. | NO E.D.P. |
| 15-24-7040 | 15-24-7060 | 15-24-7100 | 15-24-7140 | 15-24-7160 | 15-24-7180 | 15-24-7240 | 15-24-7044 | 15-24-7064 | 15-24-7104 | 15-24-7144 | 15-24-7184 | 15-24-7244 |
| -04A1 | -06A1 | -08A1 | -10A1 | -12A1 | -14A1 | -16A1 | -04C1 | -06C1 | -08C1 | -10C1 | -12C1 | -14C1 |
| 94V-2/BRASS | 94V-2/BRASS | 94V-2/BRASS | 94V-2/BRASS | 94V-2/BRASS | 94V-2/BRASS | 94V-2/BRASS | 94V-2/P.B. | 94V-2/P.B. | 94V-2/P.B. | 94V-2/P.B. | 94V-2/P.B. | 94V-2/P.B. |
| 2 | 4 | 6 | 8 | 10 | 12 | 14 | 2 | 4 | 6 | 8 | 10 | 12 |
| 42385 | | | | | | | | | | | | |

| | | | |
|------|-------------|------|-------------|
| W | SEE SHT. I. | K | SEE SHT. I. |
| VI | SEE SHT. I. | G | SEE SHT. I. |
| T6 | SEE SHT. I. | F1 | SEE SHT. I. |
| T4 | SEE SHT. I. | E1 | SEE SHT. I. |
| T1 | SEE SHT. I. | E | SEE SHT. I. |
| S | SEE SHT. I. | DI | SEE SHT. I. |
| R3 | SEE SHT. I. | A | SEE SHT. I. |
| LTR. | REVISIONS | LTR. | REVISIONS |

| | | | |
|--|------|------------------------------|--------|
| DIMENSIONS SHOWN (METRIC) INCH UNLESS OTHERWISE SPECIFIED (DIMENSIONS IN INCH) 1/16" | | REVISIONS ONLY ON CAD SYSTEM | |
| 1 PLACE | INCH | 1 PLACE | METRIC |
| 2 PLACE | INCH | 2 PLACE | METRIC |
| 3 PLACE | INCH | 3 PLACE | METRIC |
| DRAWING NUMBER SHOWN MUST REMAIN WITHIN DIMENSIONS | | | |
| DRG. NO. | RJF | CHK'D. | JTR |
| APP'D. | RAS | SCALE | 1:1 |

| | | | |
|---|-------------|---|-------------|
| TITLE | | RECEPTACLE HEADER ASSEMBLIES (MINI-FIT B.M.I. SERIES) | |
| MOLEX INCORPORATED | SHEET NO. 3 | DATE | 12 / 9 / 88 |
| SEE CHART. | SDA-42385 | DRG. NO. | |
| THIS DRAWING CONTAINS INFORMATION THAT IS PROPRIETARY TO MOLEX INC. AND SHOULD NOT BE USED WITHOUT WRITTEN PERMISSION. CO C | | | |

| | | | | | | | | | | | | |
|----|----|----|----|---|---|---|---|---|---|---|---|---|
| 13 | 12 | 11 | 10 | 9 | 8 | 7 | 6 | 5 | 4 | 3 | 2 | 1 |
|----|----|----|----|---|---|---|---|---|---|---|---|---|



Distributor of Molex Connector Corporation: Excellent Integrated System Limited
 Datasheet of 0015247067 - Connector Receptacle 6 Position 0.165" (4.20mm) Gold Through

Hole
 Contact: sales@integrated-circuit.com Website: www.integrated-circuit.com

| 13 | 12 | 11 | 10 | 9 | 8 | 7 | 6 | 5 | 42385 | 4 | 3 | 2 | 1 |
|---------------------|---------------------|---------------------|---------------------|---------------------|---------------------|---------------------|---------------------|---------------------|---------------------|---------------------|---------------------|---------------------|---------------------|
| TERMINAL PLATING | TERMINAL PLATING | TERMINAL PLATING | TERMINAL PLATING | TERMINAL PLATING | TERMINAL PLATING | TERMINAL PLATING | TERMINAL PLATING | TERMINAL PLATING | TERMINAL PLATING | TERMINAL PLATING | TERMINAL PLATING | TERMINAL PLATING | TERMINAL PLATING |
| HSG./TERM. MATERIAL | HSG./TERM. MATERIAL | HSG./TERM. MATERIAL | HSG./TERM. MATERIAL | HSG./TERM. MATERIAL | HSG./TERM. MATERIAL | HSG./TERM. MATERIAL | HSG./TERM. MATERIAL | HSG./TERM. MATERIAL | HSG./TERM. MATERIAL | HSG./TERM. MATERIAL | HSG./TERM. MATERIAL | HSG./TERM. MATERIAL | HSG./TERM. MATERIAL |
| CT. SIZE | CT. SIZE | CT. SIZE | CT. SIZE | CT. SIZE | CT. SIZE | CT. SIZE | CT. SIZE | CT. SIZE | CT. SIZE | CT. SIZE | CT. SIZE | CT. SIZE | CT. SIZE |
| ENG. NUMBER | ENG. NUMBER | ENG. NUMBER | ENG. NUMBER | ENG. NUMBER | ENG. NUMBER | ENG. NUMBER | ENG. NUMBER | ENG. NUMBER | ENG. NUMBER | ENG. NUMBER | ENG. NUMBER | ENG. NUMBER | ENG. NUMBER |
| PART NUMBER | PART NUMBER | PART NUMBER | PART NUMBER | PART NUMBER | PART NUMBER | PART NUMBER | PART NUMBER | PART NUMBER | PART NUMBER | PART NUMBER | PART NUMBER | PART NUMBER | PART NUMBER |
| NO E.D.P. | NO E.D.P. | NO E.D.P. | NO E.D.P. | NO E.D.P. | NO E.D.P. | NO E.D.P. | NO E.D.P. | NO E.D.P. | NO E.D.P. | NO E.D.P. | NO E.D.P. | NO E.D.P. | NO E.D.P. |
| A-42385-02A3 | A-42385-02A3 | A-42385-02A3 | A-42385-02A3 | A-42385-02A3 | A-42385-02A3 | A-42385-02A3 | A-42385-02A3 | A-42385-02A3 | A-42385-02A3 | A-42385-02A3 | A-42385-02A3 | A-42385-02A3 | A-42385-02A3 |
| 4 | 4 | 4 | 4 | 4 | 4 | 4 | 4 | 4 | 4 | 4 | 4 | 4 | 4 |
| 6 | 6 | 6 | 6 | 6 | 6 | 6 | 6 | 6 | 6 | 6 | 6 | 6 | 6 |
| 8 | 8 | 8 | 8 | 8 | 8 | 8 | 8 | 8 | 8 | 8 | 8 | 8 | 8 |
| 10 | 10 | 10 | 10 | 10 | 10 | 10 | 10 | 10 | 10 | 10 | 10 | 10 | 10 |
| 12 | 12 | 12 | 12 | 12 | 12 | 12 | 12 | 12 | 12 | 12 | 12 | 12 | 12 |
| 14 | 14 | 14 | 14 | 14 | 14 | 14 | 14 | 14 | 14 | 14 | 14 | 14 | 14 |
| 16 | 16 | 16 | 16 | 16 | 16 | 16 | 16 | 16 | 16 | 16 | 16 | 16 | 16 |
| 18 | 18 | 18 | 18 | 18 | 18 | 18 | 18 | 18 | 18 | 18 | 18 | 18 | 18 |
| 20 | 20 | 20 | 20 | 20 | 20 | 20 | 20 | 20 | 20 | 20 | 20 | 20 | 20 |
| 22 | 22 | 22 | 22 | 22 | 22 | 22 | 22 | 22 | 22 | 22 | 22 | 22 | 22 |
| 24 | 24 | 24 | 24 | 24 | 24 | 24 | 24 | 24 | 24 | 24 | 24 | 24 | 24 |
| NO E.D.P. | NO E.D.P. | NO E.D.P. | NO E.D.P. | NO E.D.P. | NO E.D.P. | NO E.D.P. | NO E.D.P. | NO E.D.P. | NO E.D.P. | NO E.D.P. | NO E.D.P. | NO E.D.P. | NO E.D.P. |
| A-42385-02B3 | A-42385-02B3 | A-42385-02B3 | A-42385-02B3 | A-42385-02B3 | A-42385-02B3 | A-42385-02B3 | A-42385-02B3 | A-42385-02B3 | A-42385-02B3 | A-42385-02B3 | A-42385-02B3 | A-42385-02B3 | A-42385-02B3 |
| 4 | 4 | 4 | 4 | 4 | 4 | 4 | 4 | 4 | 4 | 4 | 4 | 4 | 4 |
| 6 | 6 | 6 | 6 | 6 | 6 | 6 | 6 | 6 | 6 | 6 | 6 | 6 | 6 |
| 8 | 8 | 8 | 8 | 8 | 8 | 8 | 8 | 8 | 8 | 8 | 8 | 8 | 8 |
| 10 | 10 | 10 | 10 | 10 | 10 | 10 | 10 | 10 | 10 | 10 | 10 | 10 | 10 |
| 12 | 12 | 12 | 12 | 12 | 12 | 12 | 12 | 12 | 12 | 12 | 12 | 12 | 12 |
| 14 | 14 | 14 | 14 | 14 | 14 | 14 | 14 | 14 | 14 | 14 | 14 | 14 | 14 |
| 16 | 16 | 16 | 16 | 16 | 16 | 16 | 16 | 16 | 16 | 16 | 16 | 16 | 16 |
| 18 | 18 | 18 | 18 | 18 | 18 | 18 | 18 | 18 | 18 | 18 | 18 | 18 | 18 |
| 20 | 20 | 20 | 20 | 20 | 20 | 20 | 20 | 20 | 20 | 20 | 20 | 20 | 20 |
| 22 | 22 | 22 | 22 | 22 | 22 | 22 | 22 | 22 | 22 | 22 | 22 | 22 | 22 |
| 24 | 24 | 24 | 24 | 24 | 24 | 24 | 24 | 24 | 24 | 24 | 24 | 24 | 24 |
| NO E.D.P. | NO E.D.P. | NO E.D.P. | NO E.D.P. | NO E.D.P. | NO E.D.P. | NO E.D.P. | NO E.D.P. | NO E.D.P. | NO E.D.P. | NO E.D.P. | NO E.D.P. | NO E.D.P. | NO E.D.P. |
| A-42385-24B3 | A-42385-24B3 | A-42385-24B3 | A-42385-24B3 | A-42385-24B3 | A-42385-24B3 | A-42385-24B3 | A-42385-24B3 | A-42385-24B3 | A-42385-24B3 | A-42385-24B3 | A-42385-24B3 | A-42385-24B3 | A-42385-24B3 |
| 4 | 4 | 4 | 4 | 4 | 4 | 4 | 4 | 4 | 4 | 4 | 4 | 4 | 4 |
| 6 | 6 | 6 | 6 | 6 | 6 | 6 | 6 | 6 | 6 | 6 | 6 | 6 | 6 |
| 8 | 8 | 8 | 8 | 8 | 8 | 8 | 8 | 8 | 8 | 8 | 8 | 8 | 8 |
| 10 | 10 | 10 | 10 | 10 | 10 | 10 | 10 | 10 | 10 | 10 | 10 | 10 | 10 |
| 12 | 12 | 12 | 12 | 12 | 12 | 12 | 12 | 12 | 12 | 12 | 12 | 12 | 12 |
| 14 | 14 | 14 | 14 | 14 | 14 | 14 | 14 | 14 | 14 | 14 | 14 | 14 | 14 |
| 16 | 16 | 16 | 16 | 16 | 16 | 16 | 16 | 16 | 16 | 16 | 16 | 16 | 16 |
| 18 | 18 | 18 | 18 | 18 | 18 | 18 | 18 | 18 | 18 | 18 | 18 | 18 | 18 |
| 20 | 20 | 20 | 20 | 20 | 20 | 20 | 20 | 20 | 20 | 20 | 20 | 20 | 20 |
| 22 | 22 | 22 | 22 | 22 | 22 | 22 | 22 | 22 | 22 | 22 | 22 | 22 | 22 |
| 24 | 24 | 24 | 24 | 24 | 24 | 24 | 24 | 24 | 24 | 24 | 24 | 24 | 24 |
| NO E.D.P. | NO E.D.P. | NO E.D.P. | NO E.D.P. | NO E.D.P. | NO E.D.P. | NO E.D.P. | NO E.D.P. | NO E.D.P. | NO E.D.P. | NO E.D.P. | NO E.D.P. | NO E.D.P. | NO E.D.P. |
| A-42385-24B3 | A-42385-24B3 | A-42385-24B3 | A-42385-24B3 | A-42385-24B3 | A-42385-24B3 | A-42385-24B3 | A-42385-24B3 | A-42385-24B3 | A-42385-24B3 | A-42385-24B3 | A-42385-24B3 | A-42385-24B3 | A-42385-24B3 |
| 4 | 4 | 4 | 4 | 4 | 4 | 4 | 4 | 4 | 4 | 4 | 4 | 4 | 4 |
| 6 | 6 | 6 | 6 | 6 | 6 | 6 | 6 | 6 | 6 | 6 | 6 | 6 | 6 |
| 8 | 8 | 8 | 8 | 8 | 8 | 8 | 8 | 8 | 8 | 8 | 8 | 8 | 8 |
| 10 | 10 | 10 | 10 | 10 | 10 | 10 | 10 | 10 | 10 | 10 | 10 | 10 | 10 |
| 12 | 12 | 12 | 12 | 12 | 12 | 12 | 12 | 12 | 12 | 12 | 12 | 12 | 12 |
| 14 | 14 | 14 | 14 | 14 | 14 | 14 | 14 | 14 | 14 | 14 | 14 | 14 | 14 |
| 16 | 16 | 16 | 16 | 16 | 16 | 16 | 16 | 16 | 16 | 16 | 16 | 16 | 16 |
| 18 | 18 | 18 | 18 | 18 | 18 | 18 | 18 | 18 | 18 | 18 | 18 | 18 | 18 |
| 20 | 20 | 20 | 20 | 20 | 20 | 20 | 20 | 20 | 20 | 20 | 20 | 20 | 20 |
| 22 | 22 | 22 | 22 | 22 | 22 | 22 | 22 | 22 | 22 | 22 | 22 | 22 | 22 |
| 24 | 24 | 24 | 24 | 24 | 24 | 24 | 24 | 24 | 24 | 24 | 24 | 24 | 24 |

| | | | | | | | |
|---|-------------------------------|---|---|--|--|--|---------------------|
| ADD MATTE TIN EC NO: UCF2010-0089 DRAWN: J.BELL CHKD: APPROV: M.T.H 2009/07/16 2009/07/22 2009/07/23 | QUALITY SYMBOLS ▽=0 ▽=0 | GENERAL TOLERANCES (UNLESS SPECIFIED) mm INCH 4 PLACES ± --- ± --- 3 PLACES ± --- ± 0.10 2 PLACES ± 0.25 ± 0.15 1 PLACE ± 0.38 ± --- ANGULAR ± 5° | DIMENSION STYLE MM/IN DRAWN BY RFJ DATE 1/21/1992 CHECKED BY JTR DATE 1/21/1992 APPROVED BY RAS DATE 1/21/1992 | SCALE 1:1 DESIGN UNITS METRIC THIRD ANGLE PROJECTION | TITLE RECEPTACLE HEADER ASSY MINI FIT SERIES BLIND MATE | MOLEX INCORPORATED MATERIAL NO. SDA-42385-* DOCUMENT NO. | SHEET NO. 4 OF 4 |
| | | DRAFT WHERE APPLICABLE MUST REMAIN WITHIN DIMENSIONS | SEE CHART THIS DRAWING CONTAINS INFORMATION THAT IS PROPRIETARY TO MOLEX INCORPORATED AND SHOULD NOT BE USED WITHOUT WRITTEN PERMISSION | | | | |