

Excellent Integrated System Limited

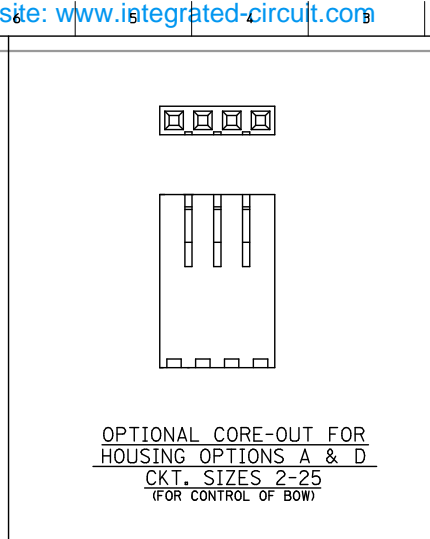
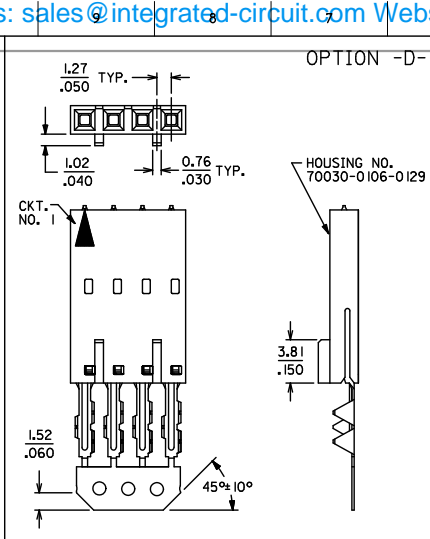
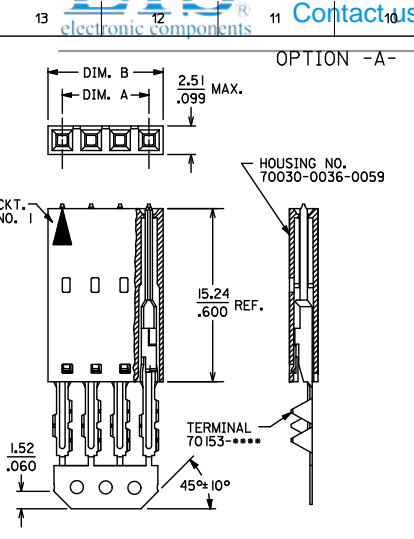
Stocking Distributor

Click to view price, real time Inventory, Delivery & Lifecycle Information:

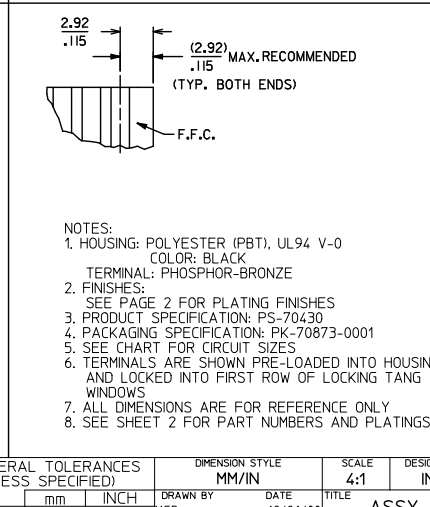
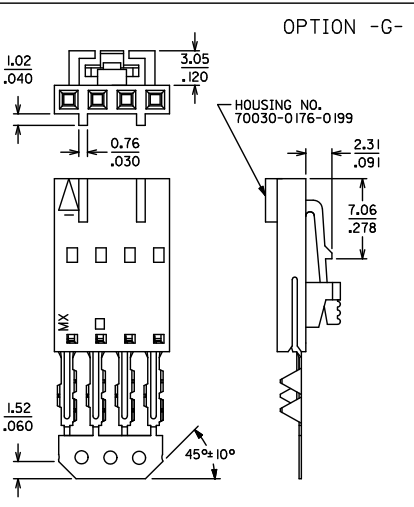
[Molex Connector Corporation](#)
[0015389082](#)

For any questions, you can email us directly:

sales@integrated-circuit.com

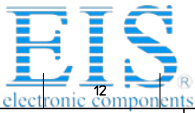


CKT. SIZE	DIM. A	DIM. (MAX.)
2	(2.54)	(5.05)
	.100	.199
3	(5.08)	(7.59)
	.200	.299
4	(7.62)	(10.13)
	.300	.399
5	(10.16)	(12.67)
	.400	.499
6	(12.70)	(15.21)
	.500	.599
7	(15.24)	(17.75)
	.600	.699
8	(17.78)	(20.29)
	.700	.799
9	(20.32)	(22.83)
	.800	.899
10	(22.86)	(25.37)
	.900	.999
11	(25.40)	(27.91)
	1.000	1.099
12	(27.94)	(30.45)
	1.100	1.199
13	(30.48)	(32.99)
	1.200	1.299
14	(33.02)	(35.53)
	1.300	1.399
15	(35.56)	(38.07)
	1.400	1.499
16	(38.10)	(40.61)
	1.500	1.599
17	(40.64)	(43.15)
	1.600	1.699
18	(43.18)	(45.69)
	1.700	1.799
19	(45.72)	(48.23)
	1.800	1.899
20	(48.26)	(50.77)
	1.900	1.999
21	(50.80)	(53.31)
	2.000	2.099
22	(53.34)	(55.85)
	2.100	2.199
23	(55.88)	(58.39)
	2.200	2.299
24	(58.42)	(60.93)
	2.300	2.399
25	(60.96)	(63.47)
	2.400	2.499



- NOTES:
- HOUSING: POLYESTER (PBT), UL94 V-0
COLOR: BLACK
TERMINAL: PHOSPHOR-BRONZE
 - FINISHES:
SEE PAGE 2 FOR PLATING FINISHES
 - PRODUCT SPECIFICATION: PS-70430
 - PACKAGING SPECIFICATION: PK-70873-0001
 - SEE CHART FOR CIRCUIT SIZES
 - TERMINALS ARE SHOWN PRE-LOADED INTO HOUSING AND LOCKED INTO FIRST ROW OF LOCKING TANG WINDOWS
 - ALL DIMENSIONS ARE FOR REFERENCE ONLY
 - SEE SHEET 2 FOR PART NUMBERS AND PLATINGS

MODIFY PRODUCT SPEC EC NO: UCP2010-0987 DRWNGS BARRA 2009/12/28 CHKD MORGAN 2010/01/08 APPR: SMILLER 2010/01/11	QUALITY SYMBOLS □=0 □=0 □=0	GENERAL TOLERANCES (UNLESS SPECIFIED)		DIMENSION STYLE		SCALE 4:1	DESIGN UNITS INCH	THIRD ANGLE PROJECTION	
		mm	INCH	MM/IN		TITLE ASSY, SL CONNECTOR, FFC MALE, SINGLE ROW 2.54/100 GRID			
		4 PLACES ±---	±---	DRAWN BY MGB	DATE 12/21/88	MOLEX MOLEX INCORPORATED			
		3 PLACES ±---	±---	CHECKED BY MGB	DATE 12/21/88	MATERIAL NO. SDA-70431-**** SHEET NO. 1 OF 2			
2 PLACES ±---	±---	APPROVED BY MAZ DATE 12/21/88		SEE TABLE		THIS DRAWING CONTAINS INFORMATION THAT IS PROPRIETARY TO MOLEX INCORPORATED AND SHOULD NOT BE USED WITHOUT WRITTEN PERMISSION			
1 PLACE ±---	±---	ANGULAR ±1/2°		DRAFT WHERE APPLICABLE MUST REMAIN WITHIN DIMENSIONS		SIZE C			



CKT. SIZE	TIN PLATE OPTION -A-		TIN PLATE OPTION -D-		15 GOLD PLATE OPTION -A-		15 GOLD PLATE OPTION -D-		30 GOLD PLATE OPTION -A-		30 GOLD PLATE OPTION -D-		TIN PLATE OPTION -G-	
	EDP. NO.	ENG. NO.	EDP. NO.	ENG. NO.	EDP. NO.	ENG. NO.	EDP. NO.	ENG. NO.	EDP. NO.	ENG. NO.	EDP. NO.	ENG. NO.	EDP. NO.	ENG. NO.
2	I5-38-9020	A-70431-0001	I5-38-9022	A-70431-0071	I5-47-4028	A-70431-0176	I5-47-5020	A-70431-0246	I5-47-5022	A-70431-0351	I5-47-5024	A-70431-0421		
3	-9030	-0002	-9032	-0072	-4038	-0177	-5030	-0247	-5032	-0352	-5034	-0422		
4	-9040	-0003	-9042	-0073	-4048	-0178	-5040	-0248	-5042	-0353	-5044	-0423		
5	-9050	-0004	-9052	-0074	-4058	-0179	-5050	-0249	-5052	-0354	-5054	-0424		
6	-9060	-0005	-9062	-0075	-4068	-0180	-5060	-0250	-5062	-0355	-5064	-0425		
7	-9070	-0006	-9072	-0076	-4078	-0181	-5070	-0251	-5072	-0356	-5074	-0426		
8	-9080	-0007	-9082	-0077	-4088	-0182	-5080	-0252	-5082	-0357	-5084	-0427		
9	-9090	-0008	-9092	-0078	-4098	-0183	-5090	-0253	-5092	-0358	-5094	-0428		
10	-9100	-0009	-9102	-0079	-4108	-0184	-5100	-0254	-5102	-0359	-5104	-0429	I5-38-9103	A-70431-0149
11	-9110	-0010	-9112	-0080	-4118	-0185	-5110	-0255	-5112	-0360	-5114	-0430		
12	-9120	-0011	-9122	-0081	-4128	-0186	-5120	-0256	-5122	-0361	-5124	-0431		
13	-9130	-0012	-9132	-0082	-4138	-0187	-5130	-0257	-5132	-0362	-5134	-0432		
14	-9140	-0013	-9142	-0083	-4148	-0188	-5140	-0258	-5142	-0363	-5144	-0433		
15	-9150	-0014	-9152	-0084	-4158	-0189	-5150	-0259	-5152	-0364	-5154	-0434		
16	-9160	-0015	-9162	-0085	-4168	-0190	-5160	-0260	-5162	-0365	-5164	-0435		
17	-9170	-0016	-9172	-0086	-4178	-0191	-5170	-0261	-5172	-0366	-5174	-0436		
18	-9180	-0017	-9182	-0087	-4188	-0192	-5180	-0262	-5182	-0367	-5184	-0437		
19	-9190	-0018	-9192	-0088	-4198	-0193	-5190	-0263	-5192	-0368	-5194	-0438		
20	-9200	-0019	-9202	-0089	-4208	-0194	-5200	-0264	-5202	-0369	-5204	-0439		
21	-9210	-0020	-9212	-0090	-4218	-0195	-5210	-0265	-5212	-0370	-5214	-0440		
22	-9220	-0021	-9222	-0091	-4228	-0196	-5220	-0266	-5222	-0371	-5224	-0441		
23	-9230	-0022	-9232	-0092	-4238	-0197	-5230	-0267	-5232	-0372	-5234	-0442		
24	-9240	-0023	-9242	-0093	-4248	-0198	-5240	-0268	-5242	-0373	-5244	-0443		
25	I5-38-9250	A-70431-0024	I5-38-9252	A-70431-0094	I5-47-4258	A-70431-0199	I5-47-5250	A-70431-0269	I5-47-5252	A-70431-0374	I5-47-5254	A-70431-0444		

PLATING PER ES-88:	CARRIER STRIP COLOR CODE
TIN	NONE
15 GOLD	YELLOW
30 GOLD	RED

PLATING CHART PER ES-88-***

- TIN: TIN OVERALL THICKNESS: 3.81 MICROMETERS (150 MICROINCHES) MINIMUM ALL OVER A NICKEL UNDERPLATE.
- 15 GOLD: SELECTIVE GOLD (Au) WITH SELECTIVE TIN THICKNESS: 0.38 MICROMETERS (15 MICROINCHES) MINIMUM GOLD (Au) IN SELECT AREA 1.90 MICROMETERS (75 MICROINCHES) MINIMUM TIN IN SELECT AREA ALL OVER A NICKEL UNDERPLATE.
- 30 GOLD: SELECTIVE GOLD (Au) WITH SELECTIVE TIN THICKNESS: 0.76 MICROMETERS (30 MICROINCHES) MINIMUM GOLD (Au) IN SELECT AREA 1.90 MICROMETERS (75 MICROINCHES) MINIMUM TIN IN SELECT AREA ALL OVER A NICKEL UNDERPLATE.

SEE SHEET 1 EC NO: UCP200-0987 DRAWN BY: TIRUMAKS BARRA 2009/12/28 CHKD BY: MORGAN 2010/01/08 APPR: SMILLER 2010/01/11 REV	QUALITY SYMBOLS	GENERAL TOLERANCES (UNLESS SPECIFIED)	DIMENSION STYLE	SCALE	DESIGN UNITS	THIRD ANGLE PROJECTION
	▽=0	mm INCH	MM/IN	1:1	INCH	
	▽=0	4 PLACES ± --- ± ---	DRAWN BY DATE	TITLE		
	▽=0	3 PLACES ± --- ± ---	MGB 12/21/88	ASSY, SL CONNECTOR, FFC MALE, SINGLE ROW 2.54/100 GRID		
	2 PLACES ± --- ± ---	CHECKED BY DATE	MOLEX INCORPORATED			
	1 PLACE ± --- ± ---	MGB 12/21/88	SDA-70431-****			
	ANGULAR ±1/2°	APPROVED BY DATE	SHEET NO. 2 OF 2			
		WAZ 12/21/88	THIS DRAWING CONTAINS INFORMATION THAT IS PROPRIETARY TO MOLEX INCORPORATED AND SHOULD NOT BE USED WITHOUT WRITTEN PERMISSION			
		MATERIAL NO.				
		DOCUMENT NO.				
		SIZE				