



Distributor of Molex Connector Corporation: Excellent Integrated System Limited
Datasheet of 0015445834 - Connector Receptacle 34 Position 0.100" (2.54mm) Gold Through Hole

Contact us: sales@integrated-circuit.com Website: www.integrated-circuit.com

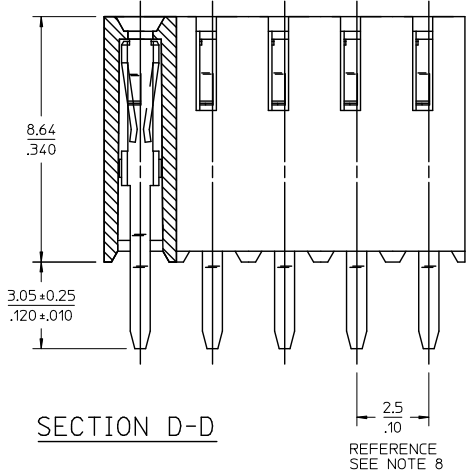
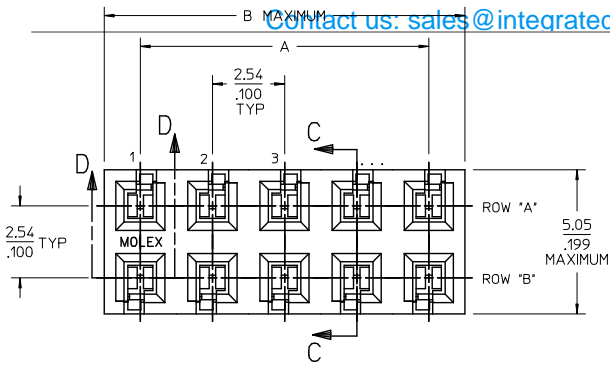
Excellent Integrated System Limited

Stocking Distributor

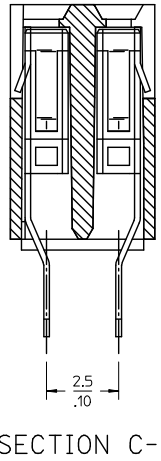
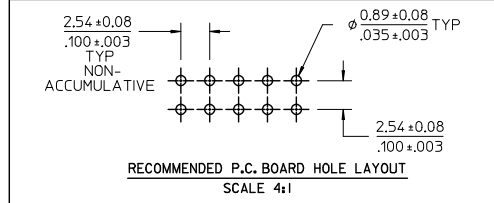
Click to view price, real time Inventory, Delivery & Lifecycle Information:

[Molex Connector Corporation](#)
[0015445834](#)

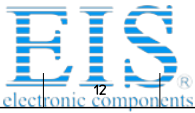
For any questions, you can email us directly:
sales@integrated-circuit.com



- NOTES:
1. HOUSING MATERIAL: GLASS FILLED LIQUID CRYSTAL POLYMER, UL 94V-0, COLOR: BLACK.
 2. TERMINAL MATERIAL: PHOSPHOR BRONZE
 3. FINISHES: SEE CHART SHEET 2.
 4. REFER TO PRODUCT SPECIFICATION PS-70181.
 5. PACKAGING IN TRAYS PER PK-70873-0660.
 6. SEE SHEET 2 FOR CIRCUIT SIZES AND OVERALL DIMENSIONS.
 7. RECOMMENDED PCB THICKNESS 1.37-1.80/.054-.071.
 8. PART COMPLIES WITH CLASS C REQUIREMENTS OF COSMETIC SPECIFICATION PS-45499-002.
 9. THE DESIGN OF THIS CONNECTOR ALLOWS THE TERMINAL TAIL TO FLOAT (MOVE). BECAUSE OF THIS, THE 2.5/.10 DIMENSION SHALL BE FOR REFERENCE ONLY.



ADD REF & NOTE 8 EC NO: UCP2015-5567 DRAWN BY: DRWINDJORDAN CHKD BY: CHKCHPOFF APPR: SMILLER DATE: 2015/07/29 DATE: 2015/07/29 DATE: 2016/05/17	QUALITY SYMBOLS ∇=0 ∇=0 ∇=0	GENERAL TOLERANCES (UNLESS SPECIFIED)		DIMENSION STYLE MM/IN		SCALE 10:1	DESIGN UNITS INCH	THIRD ANGLE PROJECTION	
		4 PLACES ± --- ± ---	mm	INCH	DRAWN BY	DATE	TITLE SALES VERTICAL MOUNT DUAL ROW HIGH TEMP .100 X .100 PC GRID molex MATERIAL NO. SEE TABLE DOCUMENT NO. SDA-71850-0*** SHEET NO. 1 OF 2		
		3 PLACES ± --- ± .005			CHECKED BY	DATE			
		2 PLACES ± 0.13 ± .010			MJM	1988/02/29			
1 PLACE ± 0.25 ± ---			APPROVED BY	DATE					
0 PLACE ± ±			WAZ	1988/02/29					
DRAFT WHERE APPLICABLE MUST REMAIN WITHIN DIMENSIONS		ANGULAR ±1/2°		SEE TABLE					



Distributor of Molex Connector Corporation: Excellent Integrated System Limited
 Datasheet of 0015445834 - Connector Receptacle 34 Position 0.100" (2.54mm) Gold Through

13 Hole 10 9 8 7 6 5 4 3 2 1

PKT. SIZE	TERMINAL: 70172-0004 PLATING: TIN				TERMINAL: 70172-0005 PLATING: 15 GOLD				TERMINAL: 70172-0008 PLATING: 30 GOLD				DIM. "A"		DIM. "B"	
	PER ROW	TOTAL	EDP NO	ENG NO	EDP NO	ENG NO	EDP NO	ENG NO	EDP NO	ENG NO	EDP NO	ENG NO	MM	INCH	MM	INCH
2	4	15-44-6804	A-71850-0065	15-44-5804	A-71850-0129	15-44-5104	A-71850-0193	2,54	.100	5,05	.199					
3	6	15-44-6806	A-71850-0066	15-44-5806	A-71850-0130	15-44-5106	A-71850-0194	5,08	.200	7,59	.299					
4	8	15-44-6808	A-71850-0067	15-44-5808	A-71850-0131	15-44-5108	A-71850-0195	7,62	.300	10,13	.399					
5	10	15-44-6810	A-71850-0068	15-44-5810	A-71850-0132	15-44-5110	A-71850-0196	10,16	.400	12,67	.499					
6	12	15-44-6812	A-71850-0069	15-44-5812	A-71850-0133	15-44-5112	A-71850-0197	12,70	.500	15,21	.599					
7	14	15-44-6814	A-71850-0070	15-44-5814	A-71850-0134	15-44-5114	A-71850-0198	15,24	.600	17,75	.699					
8	16	15-44-6816	A-71850-0071	15-44-5816	A-71850-0135	15-44-5116	A-71850-0199	17,78	.700	20,29	.799					
9	18	15-44-6818	A-71850-0072	15-44-5818	A-71850-0136	15-44-5118	A-71850-0200	20,32	.800	22,83	.899					
10	20	15-44-6820	A-71850-0073	15-44-5820	A-71850-0137	15-44-5120	A-71850-0201	22,86	.900	25,37	.999					
11	22	15-44-6822	A-71850-0074	15-44-5822	A-71850-0138	15-44-5122	A-71850-0202	25,40	1,000	27,91	1,099					
12	24	15-44-6824	A-71850-0075	15-44-5824	A-71850-0139	15-44-5124	A-71850-0203	27,94	1,100	30,45	1,199					
13	26	15-44-6826	A-71850-0076	15-44-5826	A-71850-0140	15-44-5126	A-71850-0204	30,48	1,200	32,99	1,299					
14	28	15-44-6828	A-71850-0077	15-44-5828	A-71850-0141	15-44-5128	A-71850-0205	33,02	1,300	35,53	1,399					
15	30	15-44-6830	A-71850-0078	15-44-5830	A-71850-0142	15-44-5130	A-71850-0206	35,56	1,400	38,07	1,499					
16	32	15-44-6832	A-71850-0079	15-44-5832	A-71850-0143	15-44-5132	A-71850-0207	38,10	1,500	40,61	1,599					
17	34	15-44-6834	A-71850-0080	15-44-5834	A-71850-0144	15-44-5134	A-71850-0208	40,64	1,600	43,15	1,699					
18	36	15-44-6836	A-71850-0081	15-44-5836	A-71850-0145	15-44-5136	A-71850-0209	43,18	1,700	45,69	1,799					
19	38	15-44-6838	A-71850-0082	15-44-5838	A-71850-0146	15-44-5138	A-71850-0210	45,72	1,800	48,23	1,899					
20	40	15-44-6840	A-71850-0083	15-44-5840	A-71850-0147	15-44-5140	A-71850-0211	48,26	1,900	50,77	1,999					
21	42	15-44-6842	A-71850-0084	15-44-5842	A-71850-0148	15-44-5142	A-71850-0212	50,80	2,000	53,31	2,099					
22	44	15-44-6844	A-71850-0085	15-44-5844	A-71850-0149	15-44-5144	A-71850-0213	53,34	2,100	55,85	2,199					
23	46	15-44-6846	A-71850-0086	15-44-5846	A-71850-0150	15-44-5146	A-71850-0214	55,88	2,200	58,39	2,299					
24	48	15-44-6848	A-71850-0087	15-44-5848	A-71850-0151	15-44-5148	A-71850-0215	58,42	2,300	60,93	2,399					
25	50	15-44-6850	A-71850-0088	15-44-5850	A-71850-0152	15-44-5150	A-71850-0216	60,96	2,400	63,47	2,499					
26	52	15-44-6852	A-71850-0089	15-44-5852	A-71850-0153	15-44-5152	A-71850-0217	63,50	2,500	66,01	2,599					
27	54	15-44-6854	A-71850-0090	15-44-5854	A-71850-0154	15-44-5154	A-71850-0218	66,04	2,600	68,55	2,699					
28	56	15-44-6856	A-71850-0091	15-44-5856	A-71850-0155	15-44-5156	A-71850-0219	68,58	2,700	71,09	2,799					
29	58	15-44-6858	A-71850-0092	15-44-5858	A-71850-0156	15-44-5158	A-71850-0220	71,12	2,800	73,63	2,899					
30	60	15-44-6860	A-71850-0093	15-44-5860	A-71850-0157	15-44-5160	A-71850-0221	73,66	2,900	76,17	2,999					
31	62	15-44-6862	A-71850-0094	15-44-5862	A-71850-0158	15-44-5162	A-71850-0222	76,20	3,000	78,71	3,099					
32	64	15-44-6864	A-71850-0095	15-44-5864	A-71850-0159	15-44-5164	A-71850-0223	78,74	3,100	81,25	3,199					
33	66	15-44-6866	A-71850-0096	15-44-5866	A-71850-0160	15-44-5166	A-71850-0224	81,28	3,200	83,79	3,299					
34	68	15-44-6868	A-71850-0097	15-44-5868	A-71850-0161	15-44-5168	A-71850-0225	83,82	3,300	86,33	3,399					
35	70	15-44-6870	A-71850-0098	15-44-5870	A-71850-0162	15-44-5170	A-71850-0226	86,36	3,400	88,87	3,499					
36	72	15-44-6872	A-71850-0099	15-44-5872	A-71850-0163	15-44-5172	A-71850-0227	88,90	3,500	91,41	3,599					
37	74	15-44-6874	A-71850-0100	15-44-5874	A-71850-0164	15-44-5174	A-71850-0228	91,44	3,600	93,95	3,699					
38	76	15-44-6876	A-71850-0101	15-44-5876	A-71850-0165	15-44-5176	A-71850-0229	93,98	3,700	96,49	3,799					
39	78	15-44-6878	A-71850-0102	15-44-5878	A-71850-0166	15-44-5178	A-71850-0230	96,52	3,800	99,03	3,899					
40	80	15-44-6880	A-71850-0103	15-44-5880	A-71850-0167	15-44-5180	A-71850-0231	99,06	3,900	101,57	3,999					

PLATING PER ES-88-***
 TIN - (3.81 MICROMETERS)/150 MICRONS MINIMUM TIN OVERALL OVER NICKEL UNDERPLATE OVERALL.
 15 GOLD - (0.38 MICROMETERS)/15 MICRONS MINIMUM GOLD PLATE IN SELECT AREA, (1.90 MICROMETERS)/75 MICRONS MINIMUM TIN IN SELECT AREA OVER NICKEL UNDERPLATE OVERALL.
 30 GOLD - (0.76 MICROMETERS)/30 MICRONS MINIMUM GOLD PLATE IN SELECT AREA, (1.90 MICROMETERS)/75 MICRONS MINIMUM TIN IN SELECT AREA OVER NICKEL UNDERPLATE OVERALL.

SEE SHEET 1 EC NO: UCP2015-5567 DRWINGMONGAN 2015/07/28 CHKDRPOFF 2015/07/28 APPR:SMILLER 2016/05/17	QUALITY SYMBOLS 	GENERAL TOLERANCES (UNLESS SPECIFIED) mm INCH 4 PLACES ± --- ± --- 3 PLACES ± --- ± .005 2 PLACES ± 0.13 ± .010 1 PLACE ± 0.25 ± --- 0 PLACE ± ±	DIMENSION STYLE MM/IN DRAWN BY SKL DATE 1988/02/29 CHECKED BY MJM DATE 1988/02/29 APPROVED BY MAZ DATE 1988/02/29	SCALE 1:1 DESIGN UNITS INCH THIRD ANGLE PROJECTION	SALES VERTICAL MOUNT DUAL ROW HIGH TEMP .100 X .100 PC GRID molex	MATERIAL NO. DOCUMENT NO. SDA-71850-0*** SHEET NO. 2 OF 2
		ANGULAR ± 1/2° DRAFT WHERE APPLICABLE MUST REMAIN WITHIN DIMENSIONS	SEE TABLE THIS DRAWING CONTAINS INFORMATION THAT IS PROPRIETARY TO MOLEX INCORPORATED AND SHOULD NOT BE USED WITHOUT WRITTEN PERMISSION			

12 11 10 9 8 7 6 5 4 3 2 1