



Distributor of Molex Connector Corporation: Excellent Integrated System Limited
Datasheet of 0015453118 - Connector Receptacle 18 Position 0.100" (2.54mm) Gold Surface Mount

Contact us: sales@integrated-circuit.com Website: www.integrated-circuit.com

Excellent Integrated System Limited

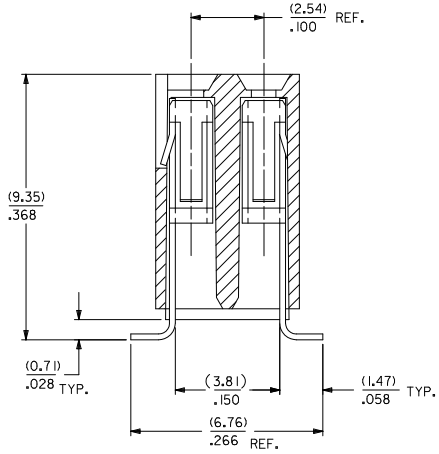
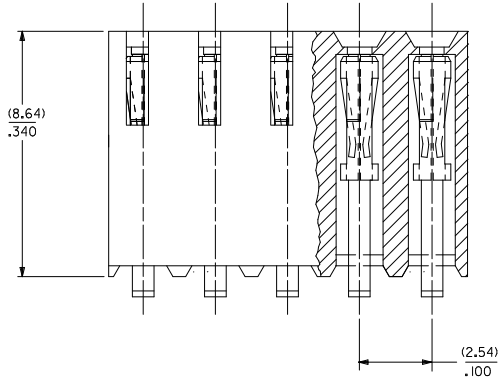
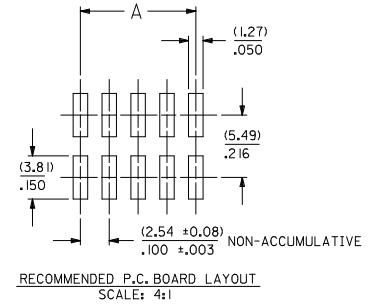
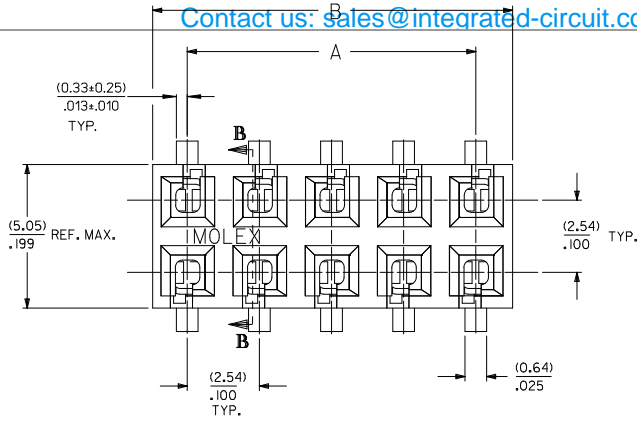
Stocking Distributor

Click to view price, real time Inventory, Delivery & Lifecycle Information:

[Molex Connector Corporation](#)
[0015453118](#)

For any questions, you can email us directly:
sales@integrated-circuit.com

Contact us: sales@integrated-circuit.com Website: www.integrated-circuit.com



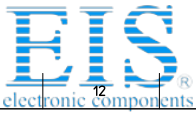
SECTION B-B

- VERSION WITHOUT PCB RETENTION PEGS -

NOTES:

- 1 - HOUSING MATERIAL: GLASS FILLED LCP (LIQUID CRYSTAL POLYMER), UL 94V-0, COLOR: BLACK.
- 2 - TERMINAL MATERIAL: (0.20)/.008 PHOSPHOR BRONZE
- 3 - SEE SHEET 2 FOR CIRCUIT SIZES AND OVER-ALL DIMENSIONS
- 4 - PART CONFORMS TO PS-71395
- 5 - PACKAGING:
FOR TRAY PACK SEE PK-70873-0304,
FOR TAPE AND REEL PACK SEE PK-71395-001.
- 6 - PRODUCT COMPLIES WITH CLASS B OF COSMETIC SPECIFICATION PS-45499-002.

ADD 71395-5040 EC NO: UCP2010-1001 DRWINGST BARBARA 2009/10/14 CHK KOBUMINGAN 2009/12/01 APPR: SMILLER 2009/12/01 N REV	QUALITY SYMBOLS	GENERAL TOLERANCES (UNLESS SPECIFIED)	DIMENSION STYLE	SCALE	DESIGN UNITS	THIRD ANGLE PROJECTION
	$\nabla = 0$ $\nabla = 0.010$ $\nabla = 0.025$	mm INCH 4 PLACES ± --- ± --- 3 PLACES ± --- ± .010 2 PLACES ± 0.25 ± .014 1 PLACE ± 0.35 ± --- ANGULAR ± 1/2°	MM/IN	MM/MIN	METRIC	<input checked="" type="checkbox"/> THIRD ANGLE <input type="checkbox"/> FIRST ANGLE
	DESCRIPTION	DRAFT WHERE APPLICABLE MUST REMAIN WITHIN DIMENSIONS	DRAWN BY DATE CHECKED BY DATE RB 1985/12/03 APPROVED BY DATE	TITLE	MOLEX INCORPORATED SDA-71395-1***	SHEET NO. 1 OF 3
	MATERIAL NO. SEE CHART SIZE C	THIS DRAWING CONTAINS INFORMATION THAT IS PROPRIETARY TO MOLEX INCORPORATED AND SHOULD NOT BE USED WITHOUT WRITTEN PERMISSION	MOLEX INCORPORATED DOCUMENT NO.	MOLEX INCORPORATED SDA-71395-1***	MOLEX INCORPORATED SDA-71395-1***	MOLEX INCORPORATED SDA-71395-1***



Distributor of Molex Connector Corporation: Excellent Integrated System Limited
 Datasheet of 0015453118 - Connector Receptacle 18 Position 0.100" (2.54mm) Gold Surface Mount

- VERSION WITHOUT PCB RETENTION PEGS -
 Contact us: sales@integrated-circuit.com Website: www.integrated-circuit.com

NO. OF CKTS.	TIN PLATING			15 GOLD PLATING			30 GOLD PLATING			DIM. "A" INCH	DIM. "B" INCH	INCH	MM	
	PER ROW	TOTAL	E.D.P. NO.	ENG. NO.	TRAY PACKAGING	E.D.P. NO.	ENG. NO.	TRAY PACKAGING	E.D.P. NO.					ENG. NO.
2	4	NA	AX-71395-1004	PK-70873-0304	NA	AX-71395-1104	PK-70873-0304	NA	AX-71395-1204	PK-70873-0304	.200	5.08	.299	7.59
3	6	71395-1006	A-71395-1006	PK-70873-0304	NA	AX-71395-1106	PK-70873-0304	NA	AX-71395-1206	PK-70873-0304	.300	7.62	.399	10.13
4	8	15-45-3208	A-71395-1008	PK-70873-0304	15-45-3108	A-71395-1108	PK-70873-0304	15-45-3308	A-71395-1208	PK-70873-0304	.400	10.16	.499	12.67
5	10	15-45-3210	A-71395-1010	PK-70873-0304	15-45-3110	A-71395-1110	PK-70873-0304	15-45-3310	A-71395-1210	PK-70873-0304	.500	12.70	.599	15.21
6	12	15-45-3212	A-71395-1012	PK-70873-0304	15-45-3112	A-71395-1112	PK-70873-0304	15-45-3312	A-71395-1212	PK-70873-0304	.600	15.24	.699	17.75
7	14	15-45-3214	A-71395-1014	PK-70873-0304	15-45-3114	A-71395-1114	PK-70873-0304	15-45-3314	A-71395-1214	PK-70873-0304	.700	17.78	.799	20.29
8	16	15-45-3216	A-71395-1016	PK-70873-0304	15-45-3116	A-71395-1116	PK-70873-0304	15-45-3316	A-71395-1216	PK-70873-0304	.800	20.32	.899	22.83
9	18	15-45-3218	A-71395-1018	PK-70873-0304	15-45-3118	A-71395-1118	PK-70873-0304	15-45-3318	A-71395-1218	PK-70873-0304	.900	22.86	.999	25.37
10	20	15-45-3220	A-71395-1020	PK-70873-0304	15-45-3120	A-71395-1120	PK-70873-0304	15-45-3320	A-71395-1220	PK-70873-0304	1.000	25.40	1.099	27.91
11	22	15-45-3222	A-71395-1022	PK-70873-0304	15-45-3122	A-71395-1122	PK-70873-0304	15-45-3322	A-71395-1222	PK-70873-0304	1.100	27.94	1.199	30.45
12	24	15-45-3224	A-71395-1024	PK-70873-0304	15-45-3124	A-71395-1124	PK-70873-0304	15-45-3324	A-71395-1224	PK-70873-0304	1.200	30.48	1.299	32.99
13	26	15-45-3226	A-71395-1026	PK-70873-0304	15-45-3126	A-71395-1126	PK-70873-0304	15-45-3326	A-71395-1226	PK-70873-0304	1.300	33.02	1.399	35.53
14	28	15-45-3228	A-71395-1028	PK-70873-0304	15-45-3128	A-71395-1128	PK-70873-0304	15-45-3328	A-71395-1228	PK-70873-0304	1.400	35.56	1.499	38.07
15	30	15-45-3230	A-71395-1030	PK-70873-0304	15-45-3130	A-71395-1130	PK-70873-0304	15-45-3330	A-71395-1230	PK-70873-0304	1.500	38.10	1.599	40.61
16	32	15-45-3232	A-71395-1032	PK-70873-0304	15-45-3132	A-71395-1132	PK-70873-0304	15-45-3332	A-71395-1232	PK-70873-0304	1.600	40.64	1.699	43.15
17	34	15-45-3234	A-71395-1034	PK-70873-0304	15-45-3134	A-71395-1134	PK-70873-0304	15-45-3334	A-71395-1234	PK-70873-0304	1.700	43.18	1.799	45.69
18	36	15-45-3236	A-71395-1036	PK-70873-0304	15-45-3136	A-71395-1136	PK-70873-0304	15-45-3336	A-71395-1236	PK-70873-0304	1.800	45.72	1.899	48.23
19	38	15-45-3238	A-71395-1038	PK-70873-0304	15-45-3138	A-71395-1138	PK-70873-0304	15-45-3338	A-71395-1238	PK-70873-0304	1.900	48.26	1.999	50.77
20	40	15-45-3240	A-71395-1040	PK-70873-0304	15-45-3140	A-71395-1140	PK-70873-0304	15-45-3340	A-71395-1240	PK-70873-0304	2.000	50.80	2.099	53.31
21	42	15-45-3242	A-71395-1042	PK-70873-0304	15-45-3142	A-71395-1142	PK-70873-0304	15-45-3342	A-71395-1242	PK-70873-0304	2.100	53.34	2.199	55.85
22	44	15-45-3244	A-71395-1044	PK-70873-0304	15-45-3144	A-71395-1144	PK-70873-0304	15-45-3344	A-71395-1244	PK-70873-0304	2.200	55.88	2.299	58.39
23	46	15-45-3246	A-71395-1046	PK-70873-0304	15-45-3146	A-71395-1146	PK-70873-0304	15-45-3346	A-71395-1246	PK-70873-0304	2.300	58.42	2.399	60.93
24	48	15-45-3248	A-71395-1048	PK-70873-0304	15-45-3148	A-71395-1148	PK-70873-0304	15-45-3348	A-71395-1248	PK-70873-0304	2.400	60.96	2.499	63.47
25	50	15-45-3250	A-71395-1050	PK-70873-0304	15-45-3150	A-71395-1150	PK-70873-0304	15-45-3350	A-71395-1250	PK-70873-0304	2.500	63.50	2.599	66.01
26	52	15-45-3252	A-71395-1052	PK-70873-0304	15-45-3152	A-71395-1152	PK-70873-0304	15-45-3352	A-71395-1252	PK-70873-0304	2.600	66.04	2.699	68.55
27	54	15-45-3254	A-71395-1054	PK-70873-0304	15-45-3154	A-71395-1154	PK-70873-0304	15-45-3354	A-71395-1254	PK-70873-0304	2.700	68.58	2.799	71.09
28	56	15-45-3256	A-71395-1056	PK-70873-0304	15-45-3156	A-71395-1156	PK-70873-0304	15-45-3356	A-71395-1256	PK-70873-0304	2.800	71.12	2.899	73.63
29	58	15-45-3258	A-71395-1058	PK-70873-0304	15-45-3158	A-71395-1158	PK-70873-0304	15-45-3358	A-71395-1258	PK-70873-0304	2.900	73.66	2.999	76.17
30	60	15-45-3260	A-71395-1060	PK-70873-0304	15-45-3160	A-71395-1160	PK-70873-0304	15-45-3360	A-71395-1260	PK-70873-0304	3.000	76.20	3.099	78.71
31	62	15-45-3262	A-71395-1062	PK-70873-0304	15-45-3162	A-71395-1162	PK-70873-0304	15-45-3362	A-71395-1262	PK-70873-0304	3.100	78.74	3.199	81.25
32	64	15-45-3264	A-71395-1064	PK-70873-0304	15-45-3164	A-71395-1164	PK-70873-0304	15-45-3364	A-71395-1264	PK-70873-0304	3.200	81.28	3.299	83.79
33	66	15-45-3266	A-71395-1066	PK-70873-0304	15-45-3166	A-71395-1166	PK-70873-0304	15-45-3366	A-71395-1266	PK-70873-0304	3.300	83.82	3.399	86.33
34	68	15-45-3268	A-71395-1068	PK-70873-0304	15-45-3168	A-71395-1168	PK-70873-0304	15-45-3368	A-71395-1268	PK-70873-0304	3.400	86.36	3.499	88.87
35	70	15-45-3270	A-71395-1070	PK-70873-0304	15-45-3170	A-71395-1170	PK-70873-0304	15-45-3370	A-71395-1270	PK-70873-0304	3.500	88.90	3.599	91.41
36	72	15-45-3272	A-71395-1072	PK-70873-0304	15-45-3172	A-71395-1172	PK-70873-0304	15-45-3372	A-71395-1272	PK-70873-0304	3.600	91.44	3.699	93.95
37	74	15-45-3274	A-71395-1074	PK-70873-0304	15-45-3174	A-71395-1174	PK-70873-0304	15-45-3374	A-71395-1274	PK-70873-0304	3.700	93.98	3.799	96.49
38	76	15-45-3276	A-71395-1076	PK-70873-0304	15-45-3176	A-71395-1176	PK-70873-0304	15-45-3376	A-71395-1276	PK-70873-0304	3.800	96.52	3.899	99.03
39	78	15-45-3278	A-71395-1078	PK-70873-0304	15-45-3178	A-71395-1178	PK-70873-0304	15-45-3378	A-71395-1278	PK-70873-0304	3.900	99.06	3.999	101.57
40	80	15-45-3280	A-71395-1080	PK-70873-0304	15-45-3180	A-71395-1180	PK-70873-0304	15-45-3380	A-71395-1280	PK-70873-0304				

PLATING: TIN (3.75 MICROMETER)/50 MICROINCH MINIMUM TIN OVER (.125 MICROMETER)/50 MICROINCH MINIMUM NICKEL OVERALL. 15 GOLD (0.37 MICROMETER)/15 MICROINCH MINIMUM SELECTIVE GOLD IN THE CONTACT AREA (.188 MICROMETER)/75 MICROINCH MINIMUM SELECTIVE TIN IN THE PC TAIL AREA OVER (.125 MICROMETER)/50 MICROINCH MINIMUM NICKEL OVERALL. 30 GOLD (0.75 MICROMETER)/30 MICROINCH MINIMUM SELECTIVE GOLD IN THE CONTACT AREA (.188 MICROMETER)/75 MICROINCH MINIMUM SELECTIVE TIN IN THE PC TAIL AREA OVER (.125 MICROMETER)/50 MICROINCH MINIMUM NICKEL OVERALL.	QUALITY SYMBOLS 	GENERAL TOLERANCES (UNLESS SPECIFIED) mm INCH 4 PLACES ± .010 ± .010 3 PLACES ± .010 ± .010 2 PLACES ± 0.25 ± .014 1 PLACE ± 0.25 ± .014 ANGULAR ± 1/2°	DIMENSION STYLE MM/IN DRAWN BY DATE CHECKED BY DATE APPROVED BY DATE	SCALE 1:1 DESIGN UNITS METRIC	THIRD ANGLE PROJECTION	CONECTOR DUAL ROW VERTICAL SURFACE MOUNT TOP ENTRY ON .100 GRID MOLEX INCORPORATED	MATERIAL NO. SEE CHART DOCUMENT NO. SDA-71395-1*** SHEET NO. 2 OF 3

12	11	10	9	8	7	6	5	4	3	2	1
----	----	----	---	---	---	---	---	---	---	---	---



Distributor of Molex Connector Corporation: Excellent Integrated System Limited
 Datasheet of 0015453118 - Connector Receptacle 18 Position 0.100" (2.54mm) Gold Surface Mount

Contact us: sales@integrated-circuit.com Website: www.integrated-circuit.com

NO. OF CKTS.	TIN PLATING			15 GOLD PLATING			30 GOLD PLATING			DIM. "A"		DIM. "B"			
	PER ROW	TOTAL	E.D.P. NO.	ENG. NO.	E.D.P. NO.	ENG. NO.	E.D.P. NO.	ENG. NO.	E.D.P. NO.	ENG. NO.	INCH	MM	INCH	MM	
7	14	NA	NA	NA	NA	NA	NA	NA	71395-5114	A-71395-5114	PK-71395-001	.600	15.24	.699	17.75
8	16	NA	NA	NA	71395-5016	A-71395-5016	PK-71395-001	NA	NA	NA	NA	.700	17.78	.799	20.29
10	20	NA	NA	NA	71395-5020	A-71395-5020	PK-71395-001	71395-5120	A-71395-5120	PK-71395-001	.900	22.86	.999	25.37	
20	40	NA	NA	NA	71395-5040	A-71395-5040	PK-71395-001	NA	NA	NA	1.900	48.26	1.999	50.77	

PLATING:
 TIN (3.75 MICROMETER)/150 MICROINCH MINIMUM TIN OVER
 (1.25 MICROMETER)/50 MICROINCH MINIMUM NICKEL OVERALL.
 15 GOLD (0.37 MICROMETER)/15 MICROINCH MINIMUM SELECTIVE GOLD IN THE CONTACT AREA;
 (1.88 MICROMETER)/75 MICROINCH MINIMUM SELECTIVE TIN IN THE PC TAIL AREA OVER
 (1.25 MICROMETER)/50 MICROINCH MINIMUM NICKEL OVERALL.
 30 GOLD (0.75 MICROMETER)/30 MICROINCH MINIMUM SELECTIVE GOLD IN THE CONTACT AREA;
 (1.88 MICROMETER)/75 MICROINCH MINIMUM SELECTIVE TIN IN THE PC TAIL AREA OVER
 (1.25 MICROMETER)/50 MICROINCH MINIMUM NICKEL OVERALL.

ADD 71395-5040 EC NO: UCP2010-1001 DRWINGST BARRA 2009/10/14 CHKDJUMJAN 2009/12/01 APPR:SMILLER 2009/12/01 N REV	QUALITY SYMBOLS	GENERAL TOLERANCES (UNLESS SPECIFIED)	DIMENSION STYLE	SCALE	DESIGN UNITS	THIRD ANGLE PROJECTION
	$\nabla = 0$ $\nabla = 0.010$ $\nabla = 0.014$ $\nabla = 0.035$	4 PLACES ± --- ± --- 3 PLACES ± --- ± .010 2 PLACES ± 0.25 ± .014 1 PLACE ± 0.35 ± --- ANGULAR ± 1/2°	MM/IN	1:1	METRIC	
	DESCRIPTION	DRAFT WHERE APPLICABLE MUST REMAIN WITHIN DIMENSIONS	SEE CHART	TITLE CONNECTOR DUAL ROW VERTICAL SURFACE MOUNT TOP ENTRY ON .100 GRID MOLEX INCORPORATED		
	MATERIAL NO. SEE CHART SIZE C	DRAWN BY DATE CHECKED BY DATE RB 1985/12/03 APPROVED BY DATE	DOCUMENT NO. SDA-71395-1***	SHEET NO. 3 OF 3		



Distributor of Molex Connector Corporation: Excellent Integrated System Limited
 Datasheet of 0015453118 - Connector Receptacle 18 Position 0.100" (2.54mm) Gold Surface Mount

Contact us: sales@integrated-circuit.com Website: www.integrated-circuit.com

NO. OF CKTS.		TIN PLATING			15 GOLD PLATING			30 GOLD PLATING			DIM. "A"		DIM. "B"	
PER ROW	TOTAL	E.D.P. NO.	ENG. NO.	TRAY PACKAGING	E.D.P. NO.	ENG. NO.	TRAY PACKAGING	E.D.P. NO.	ENG. NO.	TRAY PACKAGING	INCH	MM	INCH	MM
2	4	NA	AX-71395-1004	PK-70873-0304	NA	AX-71395-1104	PK-70873-0304	NA	AX-71395-1204	PK-70873-0304	.100	2.54	.199	5.05
3	6	71395-1006	A-71395-1006	PK-70873-0304	NA	AX-71395-1106	PK-70873-0304	NA	AX-71395-1206	PK-70873-0304	.200	5.08	.299	7.59
4	8	15-45-3208	A-71395-1008	PK-70873-0304	15-45-3108	A-71395-1108	PK-70873-0304	15-45-3308	A-71395-1208	PK-70873-0304	.300	7.62	.399	10.13
5	10	15-45-3210	A-71395-1010	PK-70873-0304	15-45-3110	A-71395-1110	PK-70873-0304	15-45-3310	A-71395-1210	PK-70873-0304	.400	10.16	.499	12.67
6	12	15-45-3212	A-71395-1012	PK-70873-0304	15-45-3112	A-71395-1112	PK-70873-0304	15-45-3312	A-71395-1212	PK-70873-0304	.500	12.70	.599	15.21
7	14	15-45-3214	A-71395-1014	PK-70873-0304	15-45-3114	A-71395-1114	PK-70873-0304	15-45-3314	A-71395-1214	PK-70873-0304	.600	15.24	.699	17.75
8	16	15-45-3216	A-71395-1016	PK-70873-0304	15-45-3116	A-71395-1116	PK-70873-0304	15-45-3316	A-71395-1216	PK-70873-0304	.700	17.78	.799	20.29
9	18	15-45-3218	A-71395-1018	PK-70873-0304	15-45-3118	A-71395-1118	PK-70873-0304	15-45-3318	A-71395-1218	PK-70873-0304	.800	20.32	.899	22.83
10	20	15-45-3220	A-71395-1020	PK-70873-0304	15-45-3120	A-71395-1120	PK-70873-0304	15-45-3320	A-71395-1220	PK-70873-0304	.900	22.86	.999	25.37
11	22	15-45-3222	A-71395-1022	PK-70873-0304	15-45-3122	A-71395-1122	PK-70873-0304	15-45-3322	A-71395-1222	PK-70873-0304	1.000	25.40	1.099	27.91
12	24	15-45-3224	A-71395-1024	PK-70873-0304	15-45-3124	A-71395-1124	PK-70873-0304	15-45-3324	A-71395-1224	PK-70873-0304	1.100	27.94	1.199	30.45
13	26	15-45-3226	A-71395-1026	PK-70873-0304	15-45-3126	A-71395-1126	PK-70873-0304	15-45-3326	A-71395-1226	PK-70873-0304	1.200	30.48	1.299	32.99
14	28	15-45-3228	A-71395-1028	PK-70873-0304	15-45-3128	A-71395-1128	PK-70873-0304	15-45-3328	A-71395-1228	PK-70873-0304	1.300	33.02	1.399	35.53
15	30	15-45-3230	A-71395-1030	PK-70873-0304	15-45-3130	A-71395-1130	PK-70873-0304	15-45-3330	A-71395-1230	PK-70873-0304	1.400	35.56	1.499	38.07
16	32	15-45-3232	A-71395-1032	PK-70873-0304	15-45-3132	A-71395-1132	PK-70873-0304	15-45-3332	A-71395-1232	PK-70873-0304	1.500	38.10	1.599	40.61
17	34	15-45-3234	A-71395-1034	PK-70873-0304	15-45-3134	A-71395-1134	PK-70873-0304	15-45-3334	A-71395-1234	PK-70873-0304	1.600	40.64	1.699	43.15
18	36	15-45-3236	A-71395-1036	PK-70873-0304	15-45-3136	A-71395-1136	PK-70873-0304	15-45-3336	A-71395-1236	PK-70873-0304	1.700	43.18	1.799	45.69
19	38	15-45-3238	A-71395-1038	PK-70873-0304	15-45-3138	A-71395-1138	PK-70873-0304	15-45-3338	A-71395-1238	PK-70873-0304	1.800	45.72	1.899	48.23
20	40	15-45-3240	A-71395-1040	PK-70873-0304	15-45-3140	A-71395-1140	PK-70873-0304	15-45-3340	A-71395-1240	PK-70873-0304	1.900	48.26	1.999	50.77
21	42	15-45-3242	A-71395-1042	PK-70873-0304	15-45-3142	A-71395-1142	PK-70873-0304	15-45-3342	A-71395-1242	PK-70873-0304	2.000	50.80	2.099	53.31
22	44	15-45-3244	A-71395-1044	PK-70873-0304	15-45-3144	A-71395-1144	PK-70873-0304	15-45-3344	A-71395-1244	PK-70873-0304	2.100	53.34	2.199	55.85
23	46	15-45-3246	A-71395-1046	PK-70873-0304	15-45-3146	A-71395-1146	PK-70873-0304	15-45-3346	A-71395-1246	PK-70873-0304	2.200	55.88	2.299	58.39
24	48	15-45-3248	A-71395-1048	PK-70873-0304	15-45-3148	A-71395-1148	PK-70873-0304	15-45-3348	A-71395-1248	PK-70873-0304	2.300	58.42	2.399	60.93
25	50	15-45-3250	A-71395-1050	PK-70873-0304	15-45-3150	A-71395-1150	PK-70873-0304	15-45-3350	A-71395-1250	PK-70873-0304	2.400	60.96	2.499	63.47
26	52	15-45-3252	A-71395-1052	PK-70873-0304	15-45-3152	A-71395-1152	PK-70873-0304	15-45-3352	A-71395-1252	PK-70873-0304	2.500	63.50	2.599	66.01
27	54	15-45-3254	A-71395-1054	PK-70873-0304	15-45-3154	A-71395-1154	PK-70873-0304	15-45-3354	A-71395-1254	PK-70873-0304	2.600	66.04	2.699	68.55
28	56	15-45-3256	A-71395-1056	PK-70873-0304	15-45-3156	A-71395-1156	PK-70873-0304	15-45-3356	A-71395-1256	PK-70873-0304	2.700	68.58	2.799	71.09
29	58	15-45-3258	A-71395-1058	PK-70873-0304	15-45-3158	A-71395-1158	PK-70873-0304	15-45-3358	A-71395-1258	PK-70873-0304	2.800	71.12	2.899	73.63
30	60	15-45-3260	A-71395-1060	PK-70873-0304	15-45-3160	A-71395-1160	PK-70873-0304	15-45-3360	A-71395-1260	PK-70873-0304	2.900	73.66	2.999	76.17
31	62	15-45-3262	A-71395-1062	PK-70873-0304	15-45-3162	A-71395-1162	PK-70873-0304	15-45-3362	A-71395-1262	PK-70873-0304	3.000	76.20	3.099	78.71
32	64	15-45-3264	A-71395-1064	PK-70873-0304	15-45-3164	A-71395-1164	PK-70873-0304	15-45-3364	A-71395-1264	PK-70873-0304	3.100	78.74	3.199	81.25
33	66	15-45-3266	A-71395-1066	PK-70873-0304	15-45-3166	A-71395-1166	PK-70873-0304	15-45-3366	A-71395-1266	PK-70873-0304	3.200	81.28	3.299	83.79
34	68	15-45-3268	A-71395-1068	PK-70873-0304	15-45-3168	A-71395-1168	PK-70873-0304	15-45-3368	A-71395-1268	PK-70873-0304	3.300	83.82	3.399	86.33
35	70	15-45-3270	A-71395-1070	PK-70873-0304	15-45-3170	A-71395-1170	PK-70873-0304	15-45-3370	A-71395-1270	PK-70873-0304	3.400	86.36	3.499	88.87
36	72	15-45-3272	A-71395-1072	PK-70873-0304	15-45-3172	A-71395-1172	PK-70873-0304	15-45-3372	A-71395-1272	PK-70873-0304	3.500	88.90	3.599	91.41
37	74	15-45-3274	A-71395-1074	PK-70873-0304	15-45-3174	A-71395-1174	PK-70873-0304	15-45-3374	A-71395-1274	PK-70873-0304	3.600	91.44	3.699	93.95
38	76	15-45-3276	A-71395-1076	PK-70873-0304	15-45-3176	A-71395-1176	PK-70873-0304	15-45-3376	A-71395-1276	PK-70873-0304	3.700	93.98	3.799	96.49
39	78	15-45-3278	A-71395-1078	PK-70873-0304	15-45-3178	A-71395-1178	PK-70873-0304	15-45-3378	A-71395-1278	PK-70873-0304	3.800	96.52	3.899	99.03
40	80	15-45-3280	A-71395-1080	PK-70873-0304	15-45-3180	A-71395-1180	PK-70873-0304	15-45-3380	A-71395-1280	PK-70873-0304	3.900	99.06	3.999	101.57

PLATING: TIN (3.75 MICROMETER)/50 MICROINCH MINIMUM TIN OVER (1.25 MICROMETER)/50 MICROINCH MINIMUM NICKEL OVERALL. 15 GOLD (0.37 MICROMETER)/15 MICROINCH MINIMUM SELECTIVE GOLD IN THE CONTACT AREA; (1.88 MICROMETER)/75 MICROINCH MINIMUM SELECTIVE TIN IN THE PC TAIL AREA OVER (1.25 MICROMETER)/50 MICROINCH MINIMUM NICKEL OVERALL. 30 GOLD (0.75 MICROMETER)/30 MICROINCH MINIMUM SELECTIVE GOLD IN THE CONTACT AREA; (1.88 MICROMETER)/75 MICROINCH MINIMUM SELECTIVE TIN IN THE PC TAIL AREA OVER (1.25 MICROMETER)/50 MICROINCH MINIMUM NICKEL OVERALL.	ADD: 71395-1006 EC NO: UCE2007-2946 DR: WINDMORGAN 2007/06/19 CH: KUDRO BARHA 2007/06/19 APPR: SNILLER 2007/06/19 REV:	QUALITY SYMBOLS ▽=0 ▽=0	GENERAL TOLERANCES (UNLESS SPECIFIED)		DIMENSION STYLE MM/IN		SCALE 10:1	DESIGN UNITS METRIC	THIRD ANGLE PROJECTION
			4 PLACES ±.010 ±.010 3 PLACES ±.010 ±.010 2 PLACES ±.025 ±.014 1 PLACE ±.035 ±.010 ANGULAR ±1/2°	DRAWN BY DATE CHECKED BY DATE APPROVED BY DATE	MATERIAL NO. SEE TABLE	DOCUMENT NO. SDA-71395-1***	SHEET NO. 2		

DRAFT WHERE APPLICABLE MUST REMAIN WITHIN DIMENSIONS

THIS DRAWING CONTAINS INFORMATION THAT IS PROPRIETARY TO MOLEX INCORPORATED AND SHOULD NOT BE USED WITHOUT WRITTEN PERMISSION

13	12	11	10	9	8	7	6	5	4	3	2	1
----	----	----	----	---	---	---	---	---	---	---	---	---