



**Distributor of Molex Connector Corporation: Excellent Integrated System Limited**  
Datasheet of 0015453430 - Connector Receptacle 30 Position 0.100" (2.54mm) Tin Surface  
Mount

Contact us: [sales@integrated-circuit.com](mailto:sales@integrated-circuit.com) Website: [www.integrated-circuit.com](http://www.integrated-circuit.com)

---

## **Excellent Integrated System Limited**

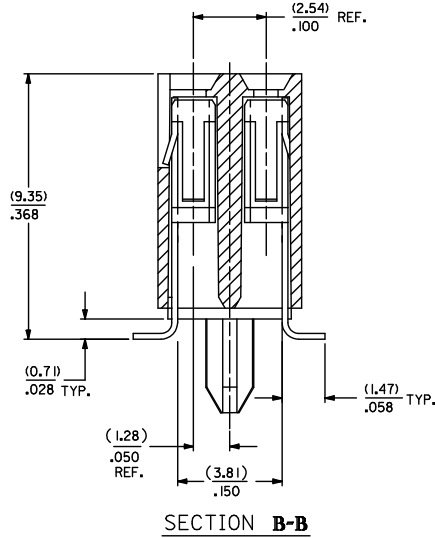
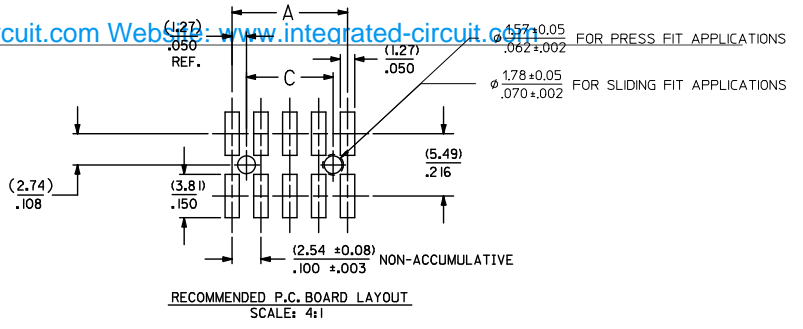
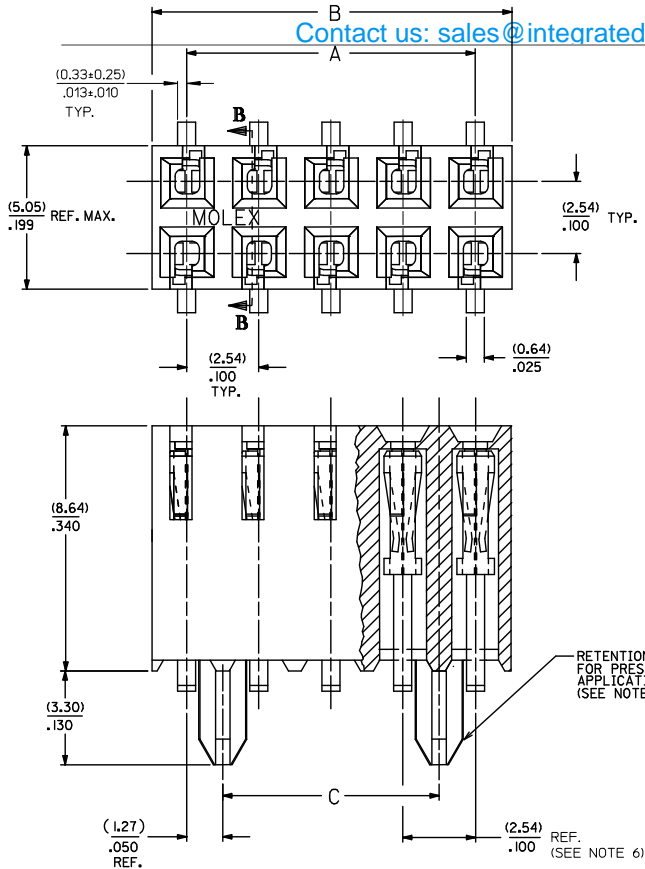
Stocking Distributor

Click to view price, real time Inventory, Delivery & Lifecycle Information:

[Molex Connector Corporation](#)  
[0015453430](#)

For any questions, you can email us directly:  
[sales@integrated-circuit.com](mailto:sales@integrated-circuit.com)

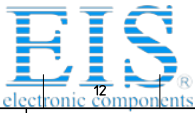
Contact us: sales@integrated-circuit.com Website: www.integrated-circuit.com



- NOTES:
- 1 - HOUSING MATERIAL: GLASS FILLED LIQUID CRYSTAL POLYMER; UL94-V0, COLOR: BLACK.
  - 2 - TERMINAL MATERIAL: PHOSPHOR BRONZE.
  - 3 - SEE SHEET 2 FOR CIRCUIT SIZES AND OVERALL DIMENSIONS.
  - 4 - SEE PRODUCT SPECIFICATION PS-71395 FOR PERFORMANCE CRITERIA.
  - 5 - STANDARD PACKAGING PER PK70873-0662 (TRAY PACK).
  - 6 - THE DESIGN OF THIS CONNECTOR ALLOWS THE TERMINAL SMT TAIL TO FLOAT (MOVE). BECAUSE OF THIS, THE (2.54)/.100 DIMENSION SHALL BE FOR REFERENCE ONLY.

- VERSION WITH PCB RETENTION PEGS -

ADD SLIDING FIT DIM. EC NO: UCP2019-5567 DRAWING NO: 2013/07/23 CHKDR/KC/AIN 2013/07/23 APPR:SMILLER 2016/03/17	QUALITY SYMBOLS ∇=0 ∇=0 ∇=0	GENERAL TOLERANCES (UNLESS SPECIFIED)		DIMENSION STYLE MM/IN		SCALE 10:1	DESIGN UNITS INCH	THIRD ANGLE PROJECTION	
		4 PLACES ± --- ± ---	3 PLACES ± --- ± .010	DRAWN BY DMORGAN	DATE 2013/07/23	TITLE CONNECTOR DUAL ROW VERTICAL SURFACE MOUNT TOP ENTRY ON .100 GRID			
		2 PLACES ± 0.25 ± .014	1 PLACE ± 0.35 ± ---	CHECKED BY RB	DATE 12/03/1985	<b>molex</b>			
		0 PLACE ± --- ± ---	ANGULAR ± 1/2°	APPROVED BY SMILLER	DATE 2016/03/17				
DRAFT WHERE APPLICABLE MUST REMAIN WITHIN DIMENSIONS		THIS DRAWING CONTAINS INFORMATION THAT IS PROPRIETARY TO MOLEX INCORPORATED AND SHOULD NOT BE USED WITHOUT WRITTEN PERMISSION							



Distributor of Molex Connector Corporation: Excellent Integrated System Limited

Datasheet of 0015453430 - Connector Receptacle 30 Position 0.100" (2.54mm) Tin Surface

Mount

Table with columns for NO. OF CKTS., TIN PLATING, 15 GOLD PLATING, 30 GOLD PLATING, DIM. "A", DIM. "B", DIM. "C". Rows include part numbers like 15-45-3408, 15-45-3410, etc.

PLATING:
TIN (3.75 MICROMETER)/150 MICROINCH MINIMUM TIN OVER
15 GOLD (0.37 MICROMETER)/15 MICROINCH MINIMUM SELECTIVE GOLD IN THE CONTACT AREA;
30 GOLD (0.75 MICROMETER)/30 MICROINCH MINIMUM SELECTIVE GOLD IN THE CONTACT AREA;

Technical drawing area containing a title block with 'CONNECTOR DUAL ROW VERTICAL SURFACE MOUNT TOP ENTRY ON .100 GRID', a drawing table with dimensions, and a 'SEE TABLE' reference.



Contact us: sales@integrated-circuit.com Website: www.integrated-circuit.com

Table with columns: NO. OF KCTS., TIN PLATING (E.D.P. NO., ENG. NO., STANDARD PACKAGING), 15 GOLD PLATING (E.D.P. NO., ENG. NO., STANDARD PACKAGING), 30 GOLD PLATING (E.D.P. NO., ENG. NO., STANDARD PACKAGING), DIM. "A" INCH/MM, DIM. "B" INCH/MM, DIM. "C" INCH/MM. Rows 4-40.

PLATING:

- TIN (3.75 MICROMETER)/50 MICROINCH MINIMUM TIN OVER (1.25 MICROMETER)/50 MICROINCH MINIMUM NICKEL OVERALL.
15 GOLD (0.37 MICROMETER)/15 MICROINCH MINIMUM SELECTIVE GOLD IN THE CONTACT AREA; (1.88 MICROMETER)/75 MICROINCH MINIMUM SELECTIVE TIN IN THE PC TAIL AREA OVER (1.25 MICROMETER)/50 MICROINCH MINIMUM NICKEL OVERALL.
30 GOLD (0.75 MICROMETER)/30 MICROINCH MINIMUM SELECTIVE GOLD IN THE CONTACT AREA; (1.88 MICROMETER)/75 MICROINCH MINIMUM SELECTIVE TIN IN THE PC TAIL AREA OVER (1.25 MICROMETER)/50 MICROINCH MINIMUM NICKEL OVERALL.

\*THE PRIMARY SHIPPING CARTON WILL BE LABELED "COMPLIANT TO RoHS DIRECTIVE 2002/95/EC AND ELV ANNEX II OF DIRECTIVE 2000/53/EC". CARTONS WITHOUT THIS LABEL MAY CONTAIN PRODUCT WITH LEAD.

- VERSION WITH PCB RETENTION PEGS -

Technical drawing area containing a grid of dimensions (J, I, H, G, E, B, A) and a table with columns: DIMENSIONS SHOWN (METRIC/INCH), DIMENSIONS SPECIFIED (UNLESS OTHERWISE SPECIFIED), DIMENSIONS IN INCH, DIMENSIONS IN METRIC, and a revision table.