



Distributor of Molex Connector Corporation: Excellent Integrated System Limited
Datasheet of 0015453668 - Connector Receptacle 68 Position 0.100" (2.54mm) Gold Surface Mount

Contact us: sales@integrated-circuit.com Website: www.integrated-circuit.com

Excellent Integrated System Limited

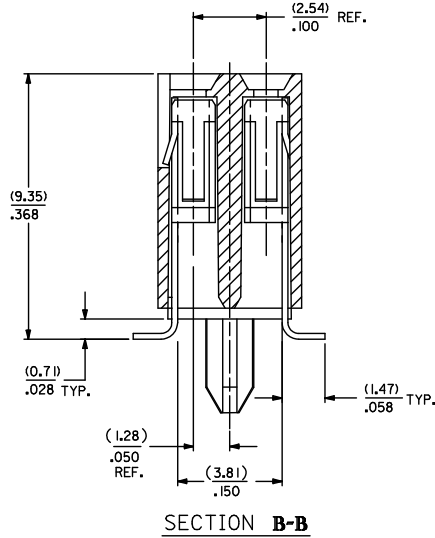
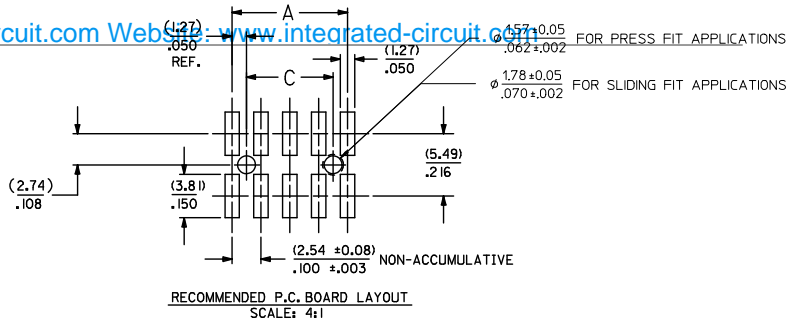
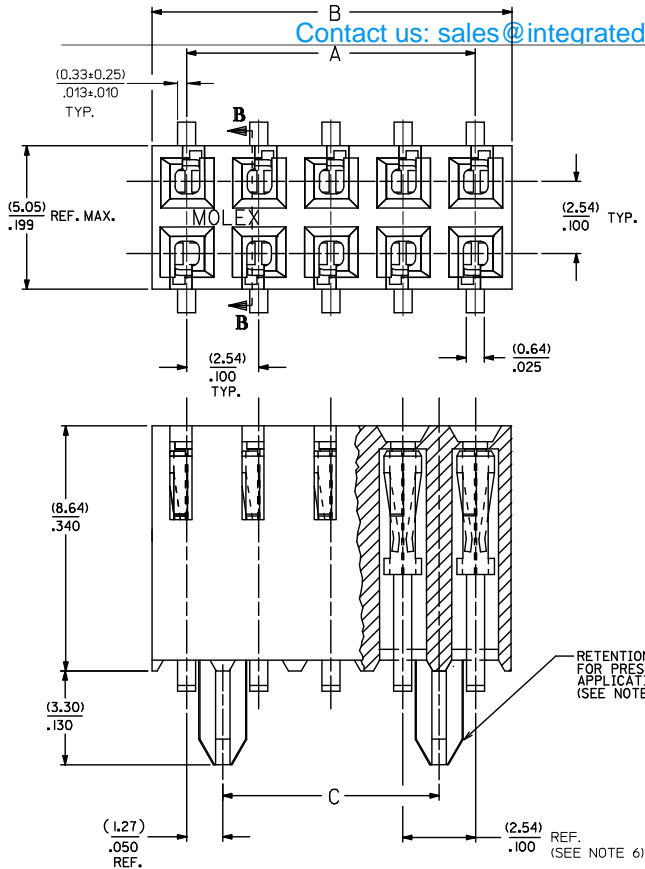
Stocking Distributor

Click to view price, real time Inventory, Delivery & Lifecycle Information:

[Molex Connector Corporation](#)
[0015453668](#)

For any questions, you can email us directly:
sales@integrated-circuit.com

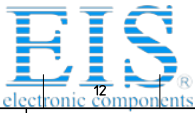
Contact us: sales@integrated-circuit.com Website: www.integrated-circuit.com



- NOTES:
- 1 - HOUSING MATERIAL: GLASS FILLED LIQUID CRYSTAL POLYMER; UL94-V0, COLOR: BLACK.
 - 2 - TERMINAL MATERIAL: PHOSPHOR BRONZE.
 - 3 - SEE SHEET 2 FOR CIRCUIT SIZES AND OVERALL DIMENSIONS.
 - 4 - SEE PRODUCT SPECIFICATION PS-71395 FOR PERFORMANCE CRITERIA.
 - 5 - STANDARD PACKAGING PER PK70873-0662 (TRAY PACK).
 - 6 - THE DESIGN OF THIS CONNECTOR ALLOWS THE TERMINAL SMT TAIL TO FLOAT (MOVE). BECAUSE OF THIS, THE (2.54)/.100 DIMENSION SHALL BE FOR REFERENCE ONLY.

- VERSION WITH PCB RETENTION PEGS -

ADD SLIDING FIT DIM. EC NO: UCP2019-5567 DRAWN BY: DMORGAN 2013/07/23 CHECKED BY: CHKORCAIN 2013/07/23 APPROVED BY: APPRSMILLER 2016/03/17	QUALITY SYMBOLS ∇=0 ∇=0 ∇=0	GENERAL TOLERANCES (UNLESS SPECIFIED)		DIMENSION STYLE MM/IN		SCALE 10:1	DESIGN UNITS INCH	THIRD ANGLE PROJECTION	
		4 PLACES ±	---	---	---	DATE	TITLE CONNECTOR DUAL ROW VERTICAL SURFACE MOUNT TOP ENTRY ON .100 GRID		
		3 PLACES ±	---	±.010	---	DMORGAN 2013/07/23	molex		
		2 PLACES ±	0.25	±.014	---	CHECKED BY: RB 12/03/1985	DOCUMENT NO. SDA-71395-0***		
1 PLACE ±	0.35	---	---	APPROVED BY: SMILLER 2016/03/17	MATERIAL NO. SEE TABLE		SHEET NO. 1 OF 2		
0 PLACE ±	---	---	---	ANGULAR ±1/2° DRAFT WHERE APPLICABLE MUST REMAIN WITHIN DIMENSIONS				THIS DRAWING CONTAINS INFORMATION THAT IS PROPRIETARY TO MOLEX INCORPORATED AND SHOULD NOT BE USED WITHOUT WRITTEN PERMISSION	



Distributor of Molex Connector Corporation: Excellent Integrated System Limited

Datasheet of 0015453668 - Connector Receptacle 68 Position 0.100" (2.54mm) Gold Surface Mount

NO. OF CKTS.		TIN PLATING				15 GOLD PLATING				30 GOLD PLATING				DIM. "A"		DIM. "B"		DIM. "C"	
PER ROW	TOTAL	E.D.P. NO.	ENG. NO.	STANDARD PACKAGING	E.D.P. NO.	ENG. NO.	STANDARD PACKAGING	E.D.P. NO.	ENG. NO.	STANDARD PACKAGING	E.D.P. NO.	ENG. NO.	STANDARD PACKAGING	INCH	MM	INCH	MM	INCH	MM
4	8	15-45-3408	A-71395-0008	PK-70873-0662	15-45-3508	A-71395-0108	PK-70873-0662	15-45-3608	A-71395-0208	PK-70873-0662	.300	7.62	.399	10.13	.200	5.08			
5	10	15-45-3410	A-71395-0010	PK-70873-0662	15-45-3510	A-71395-0110	PK-70873-0662	15-45-3610	A-71395-0210	PK-70873-0662	.400	10.16	.499	12.67	.300	7.62			
6	12	15-45-3412	A-71395-0012	PK-70873-0662	15-45-3512	A-71395-0112	PK-70873-0662	15-45-3612	A-71395-0212	PK-70873-0662	.500	12.70	.599	15.21	.400	10.16			
7	14	15-45-3414	A-71395-0014	PK-70873-0662	15-45-3514	A-71395-0114	PK-70873-0662	15-45-3614	A-71395-0214	PK-70873-0662	.600	15.24	.699	17.75	.500	12.70			
8	16	15-45-3416	A-71395-0016	PK-70873-0662	15-45-3516	A-71395-0116	PK-70873-0662	15-45-3616	A-71395-0216	PK-70873-0662	.700	17.78	.799	20.29	.600	15.24			
9	18	15-45-3418	A-71395-0018	PK-70873-0662	15-45-3518	A-71395-0118	PK-70873-0662	15-45-3618	A-71395-0218	PK-70873-0662	.800	20.32	.899	22.83	.700	17.78			
10	20	15-45-3420	A-71395-0020	PK-70873-0662	15-45-3520	A-71395-0120	PK-70873-0662	15-45-3620	A-71395-0220	PK-70873-0662	.900	22.86	.999	25.37	.800	20.32			
11	22	15-45-3422	A-71395-0022	PK-70873-0662	15-45-3522	A-71395-0122	PK-70873-0662	15-45-3622	A-71395-0222	PK-70873-0662	1.000	25.40	1.099	27.91	.900	22.86			
12	24	15-45-3424	A-71395-0024	PK-70873-0662	15-45-3524	A-71395-0124	PK-70873-0662	15-45-3624	A-71395-0224	PK-70873-0662	1.100	27.94	1.199	30.45	1.000	25.40			
13	26	15-45-3426	A-71395-0026	PK-70873-0662	15-45-3526	A-71395-0126	PK-70873-0662	15-45-3626	A-71395-0226	PK-70873-0662	1.200	30.48	1.299	32.99	1.100	27.94			
14	28	15-45-3428	A-71395-0028	PK-70873-0662	15-45-3528	A-71395-0128	PK-70873-0662	15-45-3628	A-71395-0228	PK-70873-0662	1.300	33.02	1.399	35.53	1.200	30.48			
15	30	15-45-3430	A-71395-0030	PK-70873-0662	15-45-3530	A-71395-0130	PK-70873-0662	15-45-3630	A-71395-0230	PK-70873-0662	1.400	35.56	1.499	38.07	1.300	33.02			
16	32	15-45-3432	A-71395-0032	PK-70873-0662	15-45-3532	A-71395-0132	PK-70873-0662	15-45-3632	A-71395-0232	PK-70873-0662	1.500	38.10	1.599	40.61	1.400	35.56			
17	34	15-45-3434	A-71395-0034	PK-70873-0662	15-45-3534	A-71395-0134	PK-70873-0662	15-45-3634	A-71395-0234	PK-70873-0662	1.600	40.64	1.699	43.15	1.500	38.10			
18	36	15-45-3436	A-71395-0036	PK-70873-0662	15-45-3536	A-71395-0136	PK-70873-0662	15-45-3636	A-71395-0236	PK-70873-0662	1.700	43.18	1.799	45.69	1.600	40.64			
19	38	15-45-3438	A-71395-0038	PK-70873-0662	15-45-3538	A-71395-0138	PK-70873-0662	15-45-3638	A-71395-0238	PK-70873-0662	1.800	45.72	1.899	48.23	1.700	43.18			
20	40	15-45-3440	A-71395-0040	PK-70873-0662	15-45-3540	A-71395-0140	PK-70873-0662	15-45-3640	A-71395-0240	PK-70873-0662	1.900	48.26	1.999	50.77	1.800	45.72			
21	42	15-45-3442	A-71395-0042	PK-70873-0662	15-45-3542	A-71395-0142	PK-70873-0662	15-45-3642	A-71395-0242	PK-70873-0662	2.000	50.80	2.099	53.31	1.900	48.26			
22	44	15-45-3444	A-71395-0044	PK-70873-0662	15-45-3544	A-71395-0144	PK-70873-0662	15-45-3644	A-71395-0244	PK-70873-0662	2.100	53.34	2.199	55.85	2.000	50.80			
23	46	15-45-3446	A-71395-0046	PK-70873-0662	15-45-3546	A-71395-0146	PK-70873-0662	15-45-3646	A-71395-0246	PK-70873-0662	2.200	55.88	2.299	58.39	2.100	53.34			
24	48	15-45-3448	A-71395-0048	PK-70873-0662	15-45-3548	A-71395-0148	PK-70873-0662	15-45-3648	A-71395-0248	PK-70873-0662	2.300	58.42	2.399	60.93	2.200	55.88			
25	50	15-45-3450	A-71395-0050	PK-70873-0662	15-45-3550	A-71395-0150	PK-70873-0662	15-45-3650	A-71395-0250	PK-70873-0662	2.400	60.96	2.499	63.47	2.300	58.42			
26	52	15-45-3452	A-71395-0052	PK-70873-0662	15-45-3552	A-71395-0152	PK-70873-0662	15-45-3652	A-71395-0252	PK-70873-0662	2.500	63.50	2.599	66.01	2.400	60.96			
27	54	15-45-3454	A-71395-0054	PK-70873-0662	15-45-3554	A-71395-0154	PK-70873-0662	15-45-3654	A-71395-0254	PK-70873-0662	2.600	66.04	2.699	68.55	2.500	63.50			
28	56	15-45-3456	A-71395-0056	PK-70873-0662	15-45-3556	A-71395-0156	PK-70873-0662	15-45-3656	A-71395-0256	PK-70873-0662	2.700	68.58	2.799	71.09	2.600	66.04			
29	58	15-45-3458	A-71395-0058	PK-70873-0662	15-45-3558	A-71395-0158	PK-70873-0662	15-45-3658	A-71395-0258	PK-70873-0662	2.800	71.12	2.899	73.63	2.700	68.58			
30	60	15-45-3460	A-71395-0060	PK-70873-0662	15-45-3560	A-71395-0160	PK-70873-0662	15-45-3660	A-71395-0260	PK-70873-0662	2.900	73.66	2.999	76.17	2.800	71.12			
31	62	15-45-3462	A-71395-0062	PK-70873-0662	15-45-3562	A-71395-0162	PK-70873-0662	15-45-3662	A-71395-0262	PK-70873-0662	3.000	76.20	3.099	78.71	2.900	73.66			
32	64	15-45-3464	A-71395-0064	PK-70873-0662	15-45-3564	A-71395-0164	PK-70873-0662	15-45-3664	A-71395-0264	PK-70873-0662	3.100	78.74	3.199	81.25	3.000	76.20			
33	66	15-45-3466	A-71395-0066	PK-70873-0662	15-45-3566	A-71395-0166	PK-70873-0662	15-45-3666	A-71395-0266	PK-70873-0662	3.200	81.28	3.299	83.79	3.100	78.74			
34	68	15-45-3468	A-71395-0068	PK-70873-0662	15-45-3568	A-71395-0168	PK-70873-0662	15-45-3668	A-71395-0268	PK-70873-0662	3.300	83.82	3.399	86.33	3.200	81.28			
35	70	15-45-3470	A-71395-0070	PK-70873-0662	15-45-3570	A-71395-0170	PK-70873-0662	15-45-3670	A-71395-0270	PK-70873-0662	3.400	86.36	3.499	88.87	3.300	83.82			
36	72	15-45-3472	A-71395-0072	PK-70873-0662	15-45-3572	A-71395-0172	PK-70873-0662	15-45-3672	A-71395-0272	PK-70873-0662	3.500	88.90	3.599	91.41	3.400	86.36			
37	74	15-45-3474	A-71395-0074	PK-70873-0662	15-45-3574	A-71395-0174	PK-70873-0662	15-45-3674	A-71395-0274	PK-70873-0662	3.600	91.44	3.699	93.95	3.500	88.90			
38	76	15-45-3476	A-71395-0076	PK-70873-0662	15-45-3576	A-71395-0176	PK-70873-0662	15-45-3676	A-71395-0276	PK-70873-0662	3.700	93.98	3.799	96.49	3.600	91.44			
39	78	15-45-3478	A-71395-0078	PK-70873-0662	15-45-3578	A-71395-0178	PK-70873-0662	15-45-3678	A-71395-0278	PK-70873-0662	3.800	96.52	3.899	99.03	3.700	93.98			
40	80	15-45-3480	A-71395-0080	PK-70873-0662	15-45-3580	A-71395-0180	PK-70873-0662	15-45-3680	A-71395-0280	PK-70873-0662	3.900	99.06	3.999	101.57	3.800	96.52			

PLATING:
 TIN (3.75 MICROMETER)/150 MICROINCH MINIMUM TIN OVER
 (.125 MICROMETER)/50 MICROINCH MINIMUM NICKEL OVERALL.
 15 GOLD (0.37 MICROMETER)/15 MICROINCH MINIMUM SELECTIVE GOLD IN THE CONTACT AREA;
 (1.88 MICROMETER)/75 MICROINCH MINIMUM SELECTIVE TIN IN THE PC TAIL AREA OVER
 (.125 MICROMETER)/50 MICROINCH MINIMUM NICKEL OVERALL.
 30 GOLD (0.75 MICROMETER)/30 MICROINCH MINIMUM SELECTIVE GOLD IN THE CONTACT AREA;
 (1.88 MICROMETER)/75 MICROINCH MINIMUM SELECTIVE TIN IN THE PC TAIL AREA OVER
 (.125 MICROMETER)/50 MICROINCH MINIMUM NICKEL OVERALL.

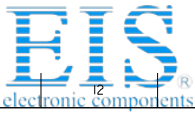
*THE PRIMARY SHIPPING CARTON WILL BE LABELED "COMPLIANT TO
 RoHS DIRECTIVE 2002/95/EC AND ELV ANNEX II OF DIRECTIVE 2000/53/EC".
 CARTONS WITHOUT THIS LABEL MAY CONTAIN PRODUCT WITH LEAD.

- VERSION WITH PCB RETENTION PEGS -

SEE SHEET 1 EC NO: UCP2015-5567 2015/07/23 DRAWN BY: DMORGAN 2015/07/23 CHECKED BY: RB 2015/07/23 APPROVED BY: SMILLER 2016/03/17	QUALITY SYMBOLS ▽=0 ▽=0 ▽=0	GENERAL TOLERANCES (UNLESS SPECIFIED)		DIMENSION STYLE		SCALE	DESIGN UNITS	THIRD ANGLE PROJECTION
		mm	INCH	MM/IN	1:1	INCH		
		DRAWN BY: DMORGAN		DATE: 2013/07/23		TITLE: CONNECTOR DUAL ROW VERTICAL SURFACE MOUNT TOP ENTRY ON .100 GRID		
		CHECKED BY: RB		DATE: 12/03/1985		SDA-71395-0***		
APPROVED BY: SMILLER		DATE: 2016/03/17		MATERIAL NO.		DOCUMENT NO.	SHEET NO.	
DRAFT WHERE APPLICABLE MUST REMAIN WITHIN DIMENSIONS		SEE TABLE		SDA-71395-0***		2 OF 2		

13	12	11	10	9	8	7	6	5	4	3	2	1
----	----	----	----	---	---	---	---	---	---	---	---	---

ib_frame_C_P_AM_T
 Rev. G 2012/01/11



Distributor of Molex Connector Corporation: Excellent Integrated System Limited
 Datasheet of 0015453668 - Connector Receptacle 68 Position 0.100" (2.54mm) Gold Surface Mount

Contact us: sales@integrated-circuit.com Website: www.integrated-circuit.com

NO. OF KCTS.	TIN PLATING			15 GOLD PLATING			30 GOLD PLATING			DIM. "A" INCH	DIM. "A" MM	DIM. "B" INCH	DIM. "B" MM	DIM. "C" INCH	DIM. "C" MM	
	PER ROW	TOTAL	E.D.P. NO.	ENG. NO.	STANDARD PACKAGING	E.D.P. NO.	ENG. NO.	STANDARD PACKAGING	E.D.P. NO.							ENG. NO.
4	8	15-45-3408	A-71395-0008	PK-70873-0662	15-45-3508	A-71395-0108	PK-70873-0662	15-45-3608	A-71395-0208	PK-70873-0662	.300	7.62	.399	10.13	.200	5.08
5	10	15-45-3410	A-71395-0010	PK-70873-0662	15-45-3510	A-71395-0110	PK-70873-0662	15-45-3610	A-71395-0210	PK-70873-0662	.400	10.16	.499	12.67	.300	7.62
6	12	15-45-3412	A-71395-0012	PK-70873-0662	15-45-3512	A-71395-0112	PK-70873-0662	15-45-3612	A-71395-0212	PK-70873-0662	.500	12.70	.599	15.21	.400	10.16
7	14	15-45-3414	A-71395-0014	PK-70873-0662	15-45-3514	A-71395-0114	PK-70873-0662	15-45-3614	A-71395-0214	PK-70873-0662	.600	15.24	.699	17.75	.500	12.70
8	16	15-45-3416	A-71395-0016	PK-70873-0662	15-45-3516	A-71395-0116	PK-70873-0662	15-45-3616	A-71395-0216	PK-70873-0662	.700	17.78	.799	20.29	.600	15.24
9	18	15-45-3418	A-71395-0018	PK-70873-0662	15-45-3518	A-71395-0118	PK-70873-0662	15-45-3618	A-71395-0218	PK-70873-0662	.800	20.32	.899	22.83	.700	17.78
10	20	15-45-3420	A-71395-0020	PK-70873-0662	15-45-3520	A-71395-0120	PK-70873-0662	15-45-3620	A-71395-0220	PK-70873-0662	.900	22.86	.999	25.37	.800	20.32
11	22	15-45-3422	A-71395-0022	PK-70873-0662	15-45-3522	A-71395-0122	PK-70873-0662	15-45-3622	A-71395-0222	PK-70873-0662	1.000	25.40	1.099	27.91	.900	22.86
12	24	15-45-3424	A-71395-0024	PK-70873-0662	15-45-3524	A-71395-0124	PK-70873-0662	15-45-3624	A-71395-0224	PK-70873-0662	1.100	27.94	1.199	30.45	1.000	25.40
13	26	15-45-3426	A-71395-0026	PK-70873-0662	15-45-3526	A-71395-0126	PK-70873-0662	15-45-3626	A-71395-0226	PK-70873-0662	1.200	30.48	1.299	32.99	1.100	27.94
14	28	15-45-3428	A-71395-0028	PK-70873-0662	15-45-3528	A-71395-0128	PK-70873-0662	15-45-3628	A-71395-0228	PK-70873-0662	1.300	33.02	1.399	35.53	1.200	30.48
15	30	15-45-3430	A-71395-0030	PK-70873-0662	15-45-3530	A-71395-0130	PK-70873-0662	15-45-3630	A-71395-0230	PK-70873-0662	1.400	35.56	1.499	38.07	1.300	33.02
16	32	15-45-3432	A-71395-0032	PK-70873-0662	15-45-3532	A-71395-0132	PK-70873-0662	15-45-3632	A-71395-0232	PK-70873-0662	1.500	38.10	1.599	40.61	1.400	35.56
17	34	15-45-3434	A-71395-0034	PK-70873-0662	15-45-3534	A-71395-0134	PK-70873-0662	15-45-3634	A-71395-0234	PK-70873-0662	1.600	40.64	1.699	43.15	1.500	38.10
18	36	15-45-3436	A-71395-0036	PK-70873-0662	15-45-3536	A-71395-0136	PK-70873-0662	15-45-3636	A-71395-0236	PK-70873-0662	1.700	43.18	1.799	45.69	1.600	40.64
19	38	15-45-3438	A-71395-0038	PK-70873-0662	15-45-3538	A-71395-0138	PK-70873-0662	15-45-3638	A-71395-0238	PK-70873-0662	1.800	45.72	1.899	48.23	1.700	43.18
20	40	15-45-3440	A-71395-0040	PK-70873-0662	15-45-3540	A-71395-0140	PK-70873-0662	15-45-3640	A-71395-0240	PK-70873-0662	1.900	48.26	1.999	50.77	1.800	45.72
21	42	15-45-3442	A-71395-0042	PK-70873-0662	15-45-3542	A-71395-0142	PK-70873-0662	15-45-3642	A-71395-0242	PK-70873-0662	2.000	50.80	2.099	53.31	1.900	48.26
22	44	15-45-3444	A-71395-0044	PK-70873-0662	15-45-3544	A-71395-0144	PK-70873-0662	15-45-3644	A-71395-0244	PK-70873-0662	2.100	53.34	2.199	55.85	2.000	50.80
23	46	15-45-3446	A-71395-0046	PK-70873-0662	15-45-3546	A-71395-0146	PK-70873-0662	15-45-3646	A-71395-0246	PK-70873-0662	2.200	55.88	2.299	58.39	2.100	53.34
24	48	15-45-3448	A-71395-0048	PK-70873-0662	15-45-3548	A-71395-0148	PK-70873-0662	15-45-3648	A-71395-0248	PK-70873-0662	2.300	58.42	2.399	60.93	2.200	55.88
25	50	15-45-3450	A-71395-0050	PK-70873-0662	15-45-3550	A-71395-0150	PK-70873-0662	15-45-3650	A-71395-0250	PK-70873-0662	2.400	60.96	2.499	63.47	2.300	58.42
26	52	15-45-3452	A-71395-0052	PK-70873-0662	15-45-3552	A-71395-0152	PK-70873-0662	15-45-3652	A-71395-0252	PK-70873-0662	2.500	63.50	2.599	66.01	2.400	60.96
27	54	15-45-3454	A-71395-0054	PK-70873-0662	15-45-3554	A-71395-0154	PK-70873-0662	15-45-3654	A-71395-0254	PK-70873-0662	2.600	66.04	2.699	68.55	2.500	63.50
28	56	15-45-3456	A-71395-0056	PK-70873-0662	15-45-3556	A-71395-0156	PK-70873-0662	15-45-3656	A-71395-0256	PK-70873-0662	2.700	68.58	2.799	71.09	2.600	66.04
29	58	15-45-3458	A-71395-0058	PK-70873-0662	15-45-3558	A-71395-0158	PK-70873-0662	15-45-3658	A-71395-0258	PK-70873-0662	2.800	71.12	2.899	73.63	2.700	68.58
30	60	15-45-3460	A-71395-0060	PK-70873-0662	15-45-3560	A-71395-0160	PK-70873-0662	15-45-3660	A-71395-0260	PK-70873-0662	2.900	73.66	2.999	76.17	2.800	71.12
31	62	15-45-3462	A-71395-0062	PK-70873-0662	15-45-3562	A-71395-0162	PK-70873-0662	15-45-3662	A-71395-0262	PK-70873-0662	3.000	76.20	3.099	78.71	2.900	73.66
32	64	15-45-3464	A-71395-0064	PK-70873-0662	15-45-3564	A-71395-0164	PK-70873-0662	15-45-3664	A-71395-0264	PK-70873-0662	3.100	78.74	3.199	81.25	3.000	76.20
33	66	15-45-3466	A-71395-0066	PK-70873-0662	15-45-3566	A-71395-0166	PK-70873-0662	15-45-3666	A-71395-0266	PK-70873-0662	3.200	81.28	3.299	83.79	3.100	78.74
34	68	15-45-3468	A-71395-0068	PK-70873-0662	15-45-3568	A-71395-0168	PK-70873-0662	15-45-3668	A-71395-0268	PK-70873-0662	3.300	83.82	3.399	86.33	3.200	81.28
35	70	15-45-3470	A-71395-0070	PK-70873-0662	15-45-3570	A-71395-0170	PK-70873-0662	15-45-3670	A-71395-0270	PK-70873-0662	3.400	86.36	3.499	88.87	3.300	83.82
36	72	15-45-3472	A-71395-0072	PK-70873-0662	15-45-3572	A-71395-0172	PK-70873-0662	15-45-3672	A-71395-0272	PK-70873-0662	3.500	88.90	3.599	91.41	3.400	86.36
37	74	15-45-3474	A-71395-0074	PK-70873-0662	15-45-3574	A-71395-0174	PK-70873-0662	15-45-3674	A-71395-0274	PK-70873-0662	3.600	91.44	3.699	93.95	3.500	88.90
38	76	15-45-3476	A-71395-0076	PK-70873-0662	15-45-3576	A-71395-0176	PK-70873-0662	15-45-3676	A-71395-0276	PK-70873-0662	3.700	93.98	3.799	96.49	3.600	91.44
39	78	15-45-3478	A-71395-0078	PK-70873-0662	15-45-3578	A-71395-0178	PK-70873-0662	15-45-3678	A-71395-0278	PK-70873-0662	3.800	96.52	3.899	99.03	3.700	93.98
40	80	15-45-3480	A-71395-0080	PK-70873-0662	15-45-3580	A-71395-0180	PK-70873-0662	15-45-3680	A-71395-0280	PK-70873-0662	3.900	99.06	3.999	101.57	3.800	96.52

PLATING:
 TIN (3.75 MICROMETER)/50 MICROINCH MINIMUM TIN OVER (1.25 MICROMETER)/50 MICROINCH MINIMUM NICKEL OVERALL.
 15 GOLD (0.37 MICROMETER)/15 MICROINCH MINIMUM SELECTIVE GOLD IN THE CONTACT AREA; (1.88 MICROMETER)/75 MICROINCH MINIMUM SELECTIVE TIN IN THE PC TAIL AREA OVER (1.25 MICROMETER)/50 MICROINCH MINIMUM NICKEL OVERALL.
 30 GOLD (0.75 MICROMETER)/30 MICROINCH MINIMUM SELECTIVE GOLD IN THE CONTACT AREA; (1.88 MICROMETER)/75 MICROINCH MINIMUM SELECTIVE TIN IN THE PC TAIL AREA OVER (1.25 MICROMETER)/50 MICROINCH MINIMUM NICKEL OVERALL.

*THE PRIMARY SHIPPING CARTON WILL BE LABELED "COMPLIANT TO RoHS DIRECTIVE 2002/95/EC AND ELV ANNEX II OF DIRECTIVE 2000/53/EC". CARTONS WITHOUT THIS LABEL MAY CONTAIN PRODUCT WITH LEAD.

- VERSION WITH PCB RETENTION PEGS -

SEE SHEET I		DIMENSIONS SHOWN (METRIC) INCH (UNLESS OTHERWISE SPECIFIED) DECIMALS INCH = 1/100"		▽ = 0 ▽ = 0 REVISE ONLY ON CAD SYSTEM	
J	SEE SHEET I	INCH METRIC		TITLE	
H	SEE SHEET I	1 PLACE ± --- ---		CONNECTOR	
G	SEE SHEET I	2 PLACE ± --- ± ---		DUAL ROW VERTICAL SURFACE MOUNT	
E	SEE SHEET I	3 PLACE ± --- ± ---		TOP ENTRY ON .100 GRID	
B	SEE SHEET I	DRIFT WHERE APPLICABLE MUST REMAIN WITHIN DIMENSIONS		MOLEX INCORPORATED SHEET NO. 2 DATE 12 / 18 / 85	
A	SEE SHEET I	Dwg. BY: J L		PART NO. SEE CHART Dwg. NO. SDA-71395-0 ***	
LTR.	REVISIONS	Dwg. BY: J L		FILE NAME: S071395X0	
LTR.	REVISIONS	Dwg. BY: J L		THIS DRAWING CONTAINS INFORMATION THAT IS PROPRIETARY TO MOLEX INC. AND SHOULD NOT BE USED WITHOUT WRITTEN PERMISSION. TFC	

13	12	11	10	9	8	7	6	5	4	3	2	1
----	----	----	----	---	---	---	---	---	---	---	---	---