



**Distributor of Molex Connector Corporation: Excellent Integrated System Limited**  
Datasheet of 0015454632 - Connector Receptacle 32 Position 0.100" (2.54mm) Gold Surface Mount

Contact us: [sales@integrated-circuit.com](mailto:sales@integrated-circuit.com) Website: [www.integrated-circuit.com](http://www.integrated-circuit.com)

---

## **Excellent Integrated System Limited**

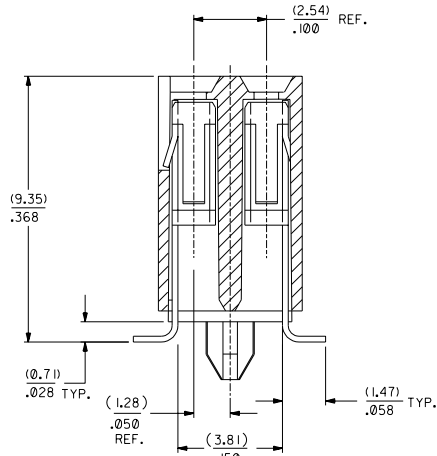
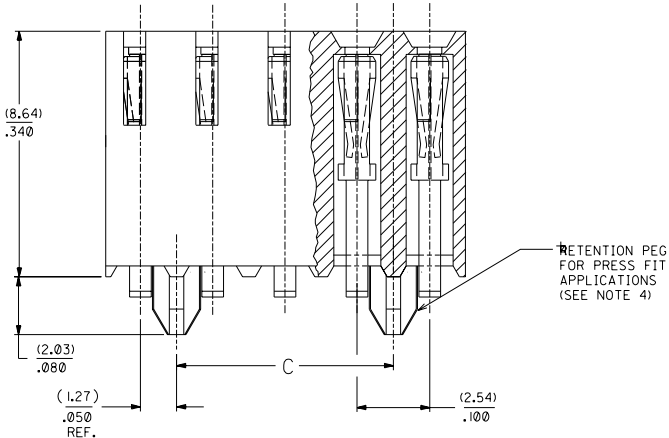
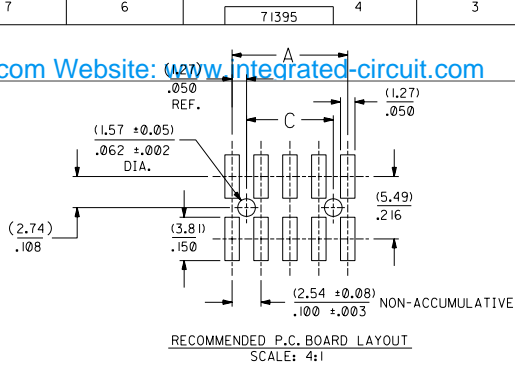
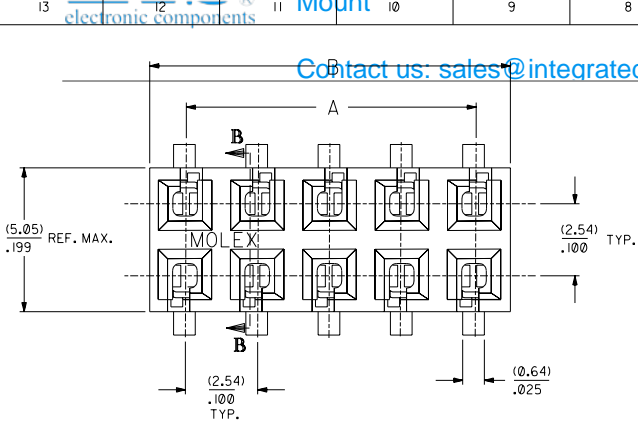
Stocking Distributor

Click to view price, real time Inventory, Delivery & Lifecycle Information:

[Molex Connector Corporation](#)  
[0015454632](#)

For any questions, you can email us directly:  
[sales@integrated-circuit.com](mailto:sales@integrated-circuit.com)

Contact us: sales@integrated-circuit.com Website: www.integrated-circuit.com



SECTION B-B

NOTES:

- HOUSING MATERIAL: GLASS FILLED LIQUID CRYSTAL POLYMER; UL 94V-0. COLOR: BLACK
- TERMINAL MATERIAL: PHOSPHOR BRONZE
- SEE SHEET 2 FOR CIRCUIT SIZES AND OVER-ALL DIMENSIONS.
- SEE PRODUCT SPEC. PS-71395 FOR PERFORMANCE CRITERIA.
- STANDARD PACKAGING PER PK-70873-0662 (TRAY PACK)
- A-71395-5020, A-71395-5120, AND A-71395-5220 TO BE PACKED IN TAPE AND REEL PER PK-71395-001.

- VERSION WITH SHORTENED PCB RETENTION PEGS -

F	LEAD FREE UCP2004-1770 WHITE 84/04/28
E	ADD TAPE AND REEL ECN# UCP2004-1049 BSMART 12/08/03
D	CHG PACK SPEC ECN# UDT2000-0691 DMORGAN 08/03/16
C1	REVISED PEG NOTE PER ECR # U60219 95/08/22 CAC
C	REV PLATE & BOX 09/20/93 U30572 MURPHY
B1	ADD EDP 3008/3008 PER ECR U30565 4/14/93 BRINKMAN
B	REV. AND REL. EDP'S PER ECR U2 0304 02/25/92 MURPHY
A	RELEASE PER ECR U1 1816 09/03/91 MURPHY

MFG.	SH.	REV.	LTR.	REVISIONS
2	F			
1	F			

REVISIONS ONLY ON CAD SYSTEM

CONNECTOR  
DUAL ROW VERTICAL SURFACE MOUNT  
TOP ENTRY ON .100 GRID

MOLEX INCORPORATED  
SHEET NO. 1 OF 2 DATE 12/03/85

PART NO. SDA-71395-3 \*\*\*  
FILE NAME: S471395X4.DWG  
MFG. DRAWING CONTAINS INFORMATION THAT IS PROPRIETARY TO MOLEX INC. AND SHOULD NOT BE USED WITHOUT WRITTEN PERMISSION.

