

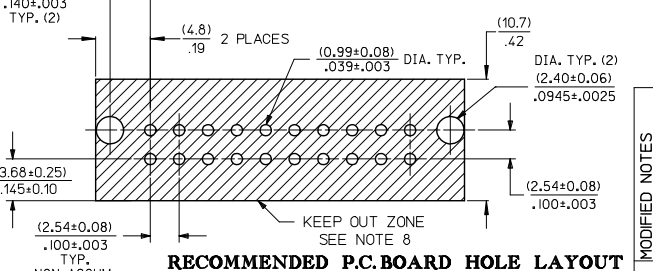
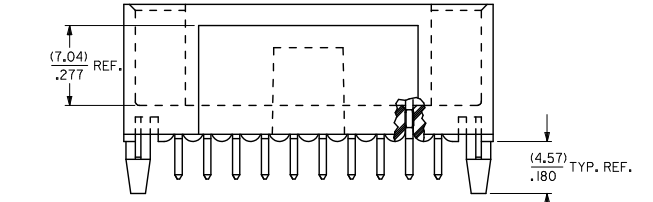
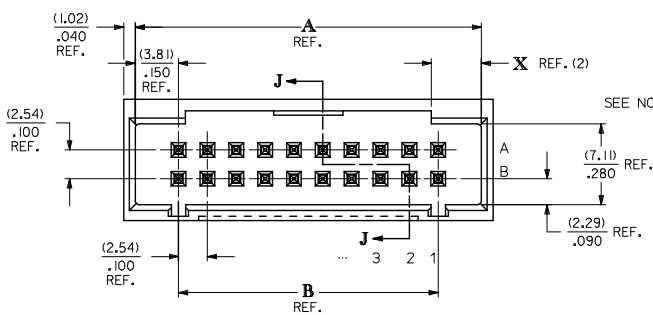
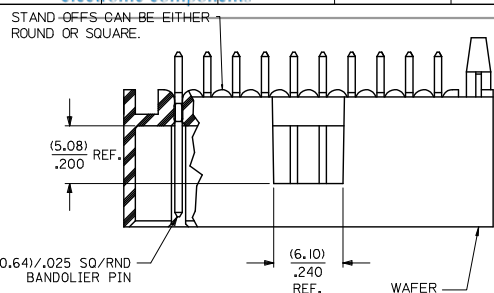
Excellent Integrated System Limited

Stocking Distributor

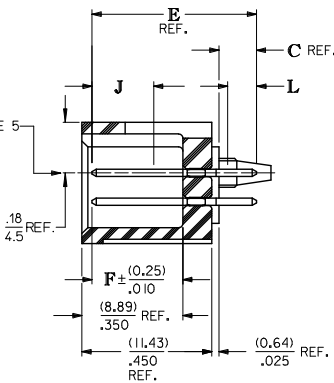
Click to view price, real time Inventory, Delivery & Lifecycle Information:

[Molex Connector Corporation](#)
[0015477622](#)

For any questions, you can email us directly:
sales@integrated-circuit.com



- NOTES:
1. MATERIAL: WAFER - GLASS FILLED LIQUID CRYSTAL POLYMER, UL 94V-0, COLOR: BLACK, PIN: COPPER ALLOY, TIN(SN) ALLOY OVER ENTIRE PIN. THICKNESS = (3.81 MICROMETER)/ 150 MICRONCH MINIMUM, NICKEL (Ni) UNDERPLATE OVER ENTIRE PIN.
 2. PLATING: 15 GOLD SELECTIVE GOLD (Au) IN THE CONTACT AREA: THICKNESS = (0.38 MICROMETER)/ 15 MICRONCH MINIMUM, SELECTIVE TIN (Sn) ALLOY IN THE PC TAIL AREA: THICKNESS = (1.91 MICROMETER)/ 75 MICRONCH MINIMUM, NICKEL (Ni) UNDERPLATE OVER ENTIRE PIN. 30 GOLD SELECTIVE GOLD (Au) IN THE CONTACT AREA: THICKNESS = (0.76 MICROMETER)/ 30 MICRONCH MINIMUM, SELECTIVE TIN (Sn) ALLOY IN THE PC TAIL AREA: THICKNESS = (1.91 MICROMETER)/ 75 MICRONCH MINIMUM, NICKEL (Ni) UNDERPLATE OVER ENTIRE PIN. * THE PRIMARY SHIPPING CARTON WILL BE LABELED "COMPLIANT TO RoHS DIRECTIVE 2002/95/EC AND ELV ANNEX II OF DIRECTIVE 2000/53/EC. CARTONS WITHOUT THIS LABEL MAY CONTAIN PRODUCT WITH LEAD.
 3. PRODUCT SPECIFICATION: PS-70567.
 4. PACKAGING: SEE CHARTS
 5. PIN PUSHOUT FORCE: 4 LS. MIN. IN DIRECTION INDICATED.
 6. FOR ILLUSTRATION PURPOSES, 20 (DUAL 10) CIRCUIT SIZE IS SHOWN.
 7. PINS MUST MEET SOLDERABILITY SPEC. SMES-152.
 8. EXCEPT Voids ARE PERMISSIBLE AT BANDOLIER PIN FAYING SURFACE. (APPROX. (0.64)/.025 L X (0.15)/.006 WD. REF.) - 2 LOCATIONS
 9. NO FEATURES WHICH RISE ABOVE THE PCB SURFACE ALLOWED IN THIS AREA.
 10. THIS PART CONFORMS TO CLASS B REQUIREMENTS OF COSMETIC SPEC PS-45499-002.



CKT. SIZE	DIM. A REF.		DIM. B REF.		DIM. X REF.	
	(MM)	INCH	(MM)	INCH	(MM)	INCH
6	(12.70)	.500	(5.08)	.200	(3.18)	.125
8	(15.24)	.600	(7.62)	.300	(4.42)	.174
10	(17.78)	.700	(10.16)	.400	(4.42)	.174
12	(20.32)	.800	(12.70)	.500	(4.42)	.174
14	(22.86)	.900	(15.24)	.600	(4.42)	.174
16	(25.40)	1.000	(17.78)	.700	(4.42)	.174
18	(27.94)	1.100	(20.32)	.800	(4.42)	.174
20	(30.48)	1.200	(22.86)	.900	(4.42)	.174
22	(33.02)	1.300	(25.40)	1.000	(4.42)	.174
24	(35.56)	1.400	(27.94)	1.100	(4.42)	.174
26	(38.10)	1.500	(30.48)	1.200	(4.42)	.174
28	(40.64)	1.600	(33.02)	1.300	(4.42)	.174
30	(43.18)	1.700	(35.56)	1.400	(4.42)	.174
32	(45.72)	1.800	(38.10)	1.500	(4.42)	.174
34	(48.26)	1.900	(40.64)	1.600	(4.42)	.174
36	(50.80)	2.000	(43.18)	1.700	(4.42)	.174
38	(53.34)	2.100	(45.72)	1.800	(4.42)	.174
40	(55.88)	2.200	(48.26)	1.900	(4.42)	.174
42	(58.42)	2.300	(50.80)	2.000	(4.42)	.174
44	(60.96)	2.400	(53.34)	2.100	(4.42)	.174
46	(63.50)	2.500	(55.88)	2.200	(4.42)	.174
48	(66.04)	2.600	(58.42)	2.300	(4.42)	.174
50	(68.58)	2.700	(60.96)	2.400	(4.42)	.174
52	(71.12)	2.800	(63.50)	2.500	(4.42)	.174
54	(73.66)	2.900	(66.04)	2.600	(4.42)	.174
56	(76.20)	3.000	(68.58)	2.700	(4.42)	.174
58	(78.74)	3.100	(71.12)	2.800	(4.42)	.174
60	(81.28)	3.200	(73.66)	2.900	(4.42)	.174
62	(83.82)	3.300	(76.20)	3.000	(4.42)	.174
64	(86.36)	3.400	(78.74)	3.100	(4.42)	.174
66	(88.90)	3.500	(81.28)	3.200	(4.42)	.174
68	(91.44)	3.600	(83.82)	3.300	(4.42)	.174
70	(93.98)	3.700	(86.36)	3.400	(4.42)	.174
72	(96.52)	3.800	(88.90)	3.500	(4.42)	.174

MODIFIED NOTES:
 EC NO: UCP/2009-0336
 DRAWN: JUSTINE ER/2008/09/23
 CHKD: BELL 2008/09/24
 APPROV: SMITH 2008/09/25

QUALITY SYMBOLS:
 ▽=0
 ▽=0

GENERAL TOLERANCES (UNLESS SPECIFIED):

	mm	INCH
4 PLACES ±	---	---
3 PLACES ±	---	±.005
2 PLACES ±	0.13	±.01
1 PLACE ±	0.25	±---

ANGULAR ±1/2°

GENERAL TOLERANCES (UNLESS SPECIFIED):

DIMENSION STYLE	SCALE	DESIGN UNITS	THIRD ANGLE PROJECTION
MM/IN	4:1	INCH	<input checked="" type="checkbox"/>

DRAWN BY: SMR **DATE:** 1993/11/10
CHECKED BY: SMR **DATE:** 1993/11/10
APPROVED BY: _____ **DATE:** _____

MATERIAL NO.: SEE TABLE **DOCUMENT NO.:** SDA-70568-**** **SHEET NO.:** 1 OF 2

DRAFT WHERE APPLICABLE MUST REMAIN WITHIN DIMENSIONS

SALES ASSY - DUAL ROW SHROUDED WAFER/HI TEMP .25SQ/RND PINS .100 GRID

MOLEX INCORPORATED

THIS DRAWING CONTAINS INFORMATION THAT IS PROPRIETARY TO MOLEX INCORPORATED AND SHOULD NOT BE USED WITHOUT WRITTEN PERMISSION



Distributor of Molex Connector Corporation: Excellent Integrated System Limited

Datasheet of 0015477622 - CONN HEADER 22POS VERT GOLD T/H

Contact us: sales@integrated-circuit.com Website: www.integrated-circuit.com

J	ENGINEERING NUMBER A-70568	RELEASE FOR MANUFACTURE	C REF.	E REF.	F ± (0.25) / .10	CONNECTOR END PLATING		P.C. BOARD END PLATING		SEE PACK INFORMAT. DRAWING PK-70873
						TYPE	J MINIMUM LENGTH	TYPE	L MINIMUM LENGTH	
	-0001/0034	R.F.M.	(3.30) .130	(14.48) .570	(8.00) .315	TIN	OVER-ALL	TIN	OVER-ALL	-0018
	-0035/-0068	R.F.M.	(3.30) .130	(14.48) .570	(8.00) .315	15 GOLD	(5.08) .200	TIN	(3.56) .140	-0018
I	-0069/-0102	R.F.M.	(3.30) .130	(14.48) .570	(8.00) .315	30 GOLD	(5.08) .200	TIN	(3.56) .140	-0018
	-0103/-0136									
	-0137/-0170									
H	-0171/-0204									
	-0205/-0238									

G	EDP NUMBER	ENG NUMBER	EDP NUMBER	ENG NUMBER	EDP NUMBER	ENG NUMBER	EDP NUMBER	ENG NUMBER	EDP NUMBER	ENG NUMBER	EDP NUMBER	ENG NUMBER	EDP NUMBER	ENG NUMBER	EDP NUMBER	ENG NUMBER	EDP NUMBER	ENG NUMBER	EDP NUMBER	ENG NUMBER	G
06	IS-47-7506	A-70568-0001	IS-47-7606	A-70568-0035	IS-47-7706	A-70568-0069		A-70568-0103		A-70568-0137		A-70568-0171		A-70568-0205		A-70568-0206		A-70568-0207		06	
08	IS-47-7508	A-70568-0002	IS-47-7608	A-70568-0036	IS-47-7708	A-70568-0070		A-70568-0104		A-70568-0138		A-70568-0172		A-70568-0208		A-70568-0208		A-70568-0209		08	
10	IS-47-7510	A-70568-0003	IS-47-7610	A-70568-0037	IS-47-7710	A-70568-0071		A-70568-0105		A-70568-0139		A-70568-0173		A-70568-0209		A-70568-0210		A-70568-0210		10	
12	IS-47-7512	A-70568-0004	IS-47-7612	A-70568-0038	IS-47-7712	A-70568-0072		A-70568-0106		A-70568-0140		A-70568-0174		A-70568-0210		A-70568-0208		A-70568-0208		12	
14	IS-47-7514	A-70568-0005	IS-47-7614	A-70568-0039	IS-47-7714	A-70568-0073		A-70568-0107		A-70568-0141		A-70568-0175		A-70568-0209		A-70568-0209		A-70568-0209		14	
16	IS-47-7516	A-70568-0006	IS-47-7616	A-70568-0040	IS-47-7716	A-70568-0074		A-70568-0108		A-70568-0142		A-70568-0176		A-70568-0210		A-70568-0210		A-70568-0210		16	
18	IS-47-7518	A-70568-0007	IS-47-7618	A-70568-0041	IS-47-7718	A-70568-0075		A-70568-0109		A-70568-0143		A-70568-0177		A-70568-0211		A-70568-0211		A-70568-0211		18	
20	IS-47-7520	A-70568-0008	IS-47-7620	A-70568-0042	IS-47-7720	A-70568-0076		A-70568-0110		A-70568-0144		A-70568-0178		A-70568-0212		A-70568-0212		A-70568-0212		20	
22	IS-47-7522	A-70568-0009	IS-47-7622	A-70568-0043	IS-47-7722	A-70568-0077		A-70568-0111		A-70568-0145		A-70568-0179		A-70568-0213		A-70568-0213		A-70568-0213		22	
24	IS-47-7524	A-70568-0010	IS-47-7624	A-70568-0044	IS-47-7724	A-70568-0078		A-70568-0112		A-70568-0146		A-70568-0180		A-70568-0214		A-70568-0214		A-70568-0214		24	
26	IS-47-7526	A-70568-0011	IS-47-7626	A-70568-0045	IS-47-7726	A-70568-0079		A-70568-0113		A-70568-0147		A-70568-0181		A-70568-0215		A-70568-0215		A-70568-0215		26	
28	IS-47-7528	A-70568-0012	IS-47-7628	A-70568-0046	IS-47-7728	A-70568-0080		A-70568-0114		A-70568-0148		A-70568-0182		A-70568-0216		A-70568-0216		A-70568-0216		28	
30	IS-47-7530	A-70568-0013	IS-47-7630	A-70568-0047	IS-47-7730	A-70568-0081		A-70568-0115		A-70568-0149		A-70568-0183		A-70568-0217		A-70568-0217		A-70568-0217		30	
32	IS-47-7532	A-70568-0014	IS-47-7632	A-70568-0048	IS-47-7732	A-70568-0082		A-70568-0116		A-70568-0150		A-70568-0184		A-70568-0218		A-70568-0218		A-70568-0218		32	
34	IS-47-7534	A-70568-0015	IS-47-7634	A-70568-0049	IS-47-7734	A-70568-0083		A-70568-0117		A-70568-0151		A-70568-0185		A-70568-0219		A-70568-0219		A-70568-0219		34	
36	IS-47-7536	A-70568-0016	IS-47-7636	A-70568-0050	IS-47-7736	A-70568-0084		A-70568-0118		A-70568-0152		A-70568-0186		A-70568-0220		A-70568-0220		A-70568-0220		36	
38	IS-47-7538	A-70568-0017	IS-47-7638	A-70568-0051	IS-47-7738	A-70568-0085		A-70568-0119		A-70568-0153		A-70568-0187		A-70568-0221		A-70568-0221		A-70568-0221		38	
40	IS-47-7540	A-70568-0018	IS-47-7640	A-70568-0052	IS-47-7740	A-70568-0086		A-70568-0120		A-70568-0154		A-70568-0188		A-70568-0222		A-70568-0222		A-70568-0222		40	
42	IS-47-7542	A-70568-0019	IS-47-7642	A-70568-0053	IS-47-7742	A-70568-0087		A-70568-0121		A-70568-0155		A-70568-0189		A-70568-0223		A-70568-0223		A-70568-0223		42	
44	IS-47-7544	A-70568-0020	IS-47-7644	A-70568-0054	IS-47-7744	A-70568-0088		A-70568-0122		A-70568-0156		A-70568-0190		A-70568-0224		A-70568-0224		A-70568-0224		44	
46	IS-47-7546	A-70568-0021	IS-47-7646	A-70568-0055	IS-47-7746	A-70568-0089		A-70568-0123		A-70568-0157		A-70568-0191		A-70568-0225		A-70568-0225		A-70568-0225		46	
48	IS-47-7548	A-70568-0022	IS-47-7648	A-70568-0056	IS-47-7748	A-70568-0090		A-70568-0124		A-70568-0158		A-70568-0192		A-70568-0226		A-70568-0226		A-70568-0226		48	
50	IS-47-7550	A-70568-0023	IS-47-7650	A-70568-0057	IS-47-7750	A-70568-0091		A-70568-0125		A-70568-0159		A-70568-0193		A-70568-0227		A-70568-0227		A-70568-0227		50	
52	IS-47-7552	A-70568-0024	IS-47-7652	A-70568-0058	IS-47-7752	A-70568-0092		A-70568-0126		A-70568-0160		A-70568-0194		A-70568-0228		A-70568-0228		A-70568-0228		52	
54	IS-47-7554	A-70568-0025	IS-47-7654	A-70568-0059	IS-47-7754	A-70568-0093		A-70568-0127		A-70568-0161		A-70568-0195		A-70568-0229		A-70568-0229		A-70568-0229		54	
56	IS-47-7556	A-70568-0026	IS-47-7656	A-70568-0060	IS-47-7756	A-70568-0094		A-70568-0128		A-70568-0162		A-70568-0196		A-70568-0230		A-70568-0230		A-70568-0230		56	
58	IS-47-7558	A-70568-0027	IS-47-7658	A-70568-0061	IS-47-7758	A-70568-0095		A-70568-0129		A-70568-0163		A-70568-0197		A-70568-0231		A-70568-0231		A-70568-0231		58	
60	IS-47-7560	A-70568-0028	IS-47-7660	A-70568-0062	IS-47-7760	A-70568-0096		A-70568-0130		A-70568-0164		A-70568-0198		A-70568-0232		A-70568-0232		A-70568-0232		60	
62	IS-47-7562	A-70568-0029	IS-47-7662	A-70568-0063	IS-47-7762	A-70568-0097		A-70568-0131		A-70568-0165		A-70568-0199		A-70568-0233		A-70568-0233		A-70568-0233		62	
64	IS-47-7564	A-70568-0030	IS-47-7664	A-70568-0064	IS-47-7764	A-70568-0098		A-70568-0132		A-70568-0166		A-70568-0200		A-70568-0234		A-70568-0234		A-70568-0234		64	
66	IS-47-7566	A-70568-0031	IS-47-7666	A-70568-0065	IS-47-7766	A-70568-0099		A-70568-0133		A-70568-0167		A-70568-0201		A-70568-0235		A-70568-0235		A-70568-0235		66	
68	IS-47-7568	A-70568-0032	IS-47-7668	A-70568-0066	IS-47-7768	A-70568-0100		A-70568-0134		A-70568-0168		A-70568-0202		A-70568-0236		A-70568-0236		A-70568-0236		68	
70	IS-47-7570	A-70568-0033	IS-47-7670	A-70568-0067	IS-47-7770	A-70568-0101		A-70568-0135		A-70568-0169		A-70568-0203		A-70568-0237		A-70568-0237		A-70568-0237		70	
72	IS-47-7572	A-70568-0034	IS-47-7672	A-70568-0068	IS-47-7772	A-70568-0102		A-70568-0136		A-70568-0170		A-70568-0204		A-70568-0238		A-70568-0238		A-70568-0238		72	

MODIFY PLATE EC NO: UCP2006-2806 20/06/05/21 CHIKKIDINGAN 20/06/06/06 APPROX MILLER 20/06/06/07 DESCRIPTION REV	QUALITY SYMBOLS ▽=0 ▽=0	GENERAL TOLERANCES (UNLESS SPECIFIED) <table border="1"> <tr><th></th><th>mm</th><th>INCH</th></tr> <tr><td>4 PLACES ±</td><td>±.005</td><td>±.0005</td></tr> <tr><td>3 PLACES ±</td><td>±.01</td><td>±.005</td></tr> <tr><td>2 PLACES ±</td><td>±.013</td><td>±.01</td></tr> <tr><td>1 PLACE ±</td><td>±.025</td><td>±.005</td></tr> </table>		mm	INCH	4 PLACES ±	±.005	±.0005	3 PLACES ±	±.01	±.005	2 PLACES ±	±.013	±.01	1 PLACE ±	±.025	±.005	DIMENSION STYLE MM/IN DRAWN BY: SMR DATE: 1993/11/10 CHECKED BY: SMR DATE: 1993/11/10 APPROVED BY:	SCALE --- DESIGN UNITS INCH THIRD ANGLE PROJECTION	TITLE SALES ASSY-DUAL ROW SHROUDED WAFER/HIGH TEMP .025SQ/RND PIN .100 GRID MOLEX INCORPORATED	MATERIAL NO. SEE TABLE DOCUMENT NO. SDA-70568-**** SHEET NO. 2 OF 2
		mm	INCH																		
	4 PLACES ±	±.005	±.0005																		
	3 PLACES ±	±.01	±.005																		
2 PLACES ±	±.013	±.01																			
1 PLACE ±	±.025	±.005																			
DRAFT WHERE APPLICABLE MUST REMAIN WITHIN DIMENSIONS		THIS DRAWING CONTAINS INFORMATION THAT IS PROPRIETARY TO MOLEX INCORPORATED AND SHOULD NOT BE USED WITHOUT WRITTEN PERMISSION																			