

Excellent Integrated System Limited

Stocking Distributor

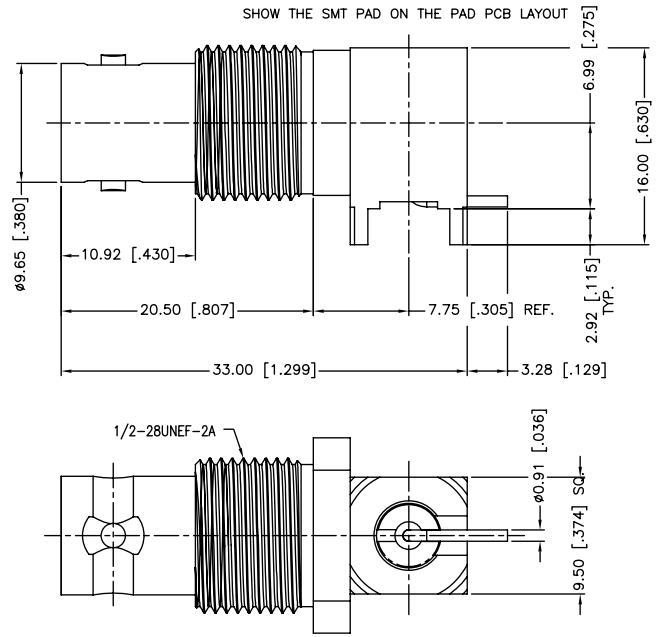
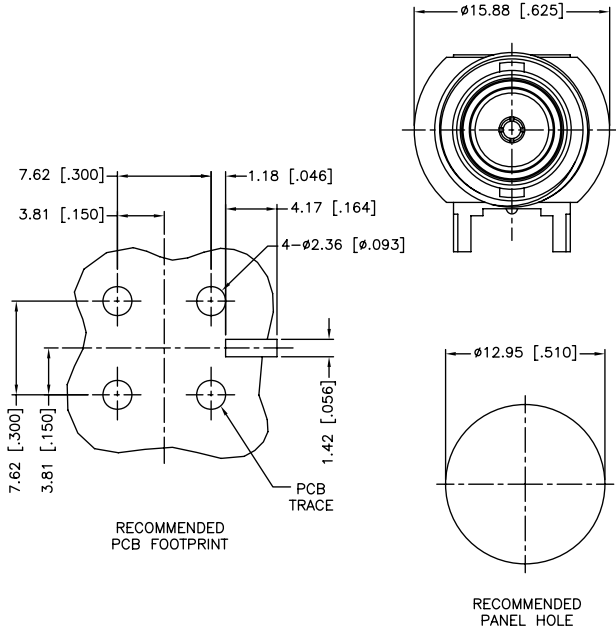
Click to view price, real time Inventory, Delivery & Lifecycle Information:

[Amphenol RF](#)
[112800](#)

For any questions, you can email us directly:

sales@integrated-circuit.com

REV.	DATE	ECR NO.	DESCRIPTION
NC	03/22/10	XXXXXX	INITIAL RELEASE
E	04/15/10	2040	CHANG BACK BODY PLATED FROM MATTE TIN TO NICKEL
F	04/26/10	2042	



1. FREQUENCY RANGE: DC - 1 GHz
 2. VSWR(RETURN LOSS): 1.12 (25dB), MAX DC - 1.5GHz
1.22 (20dB), MAX 1.5 - 3 GHz
- VSWR PERFORMANCE DEPENDANT UPON PCB LAUNCH CONFIGURATION

UNLESS OTHERWISE SPECIFIED DIMENSIONS ARE IN MILLIMETERS. DIMENSIONS IN [] ARE IN INCHES AND FOR CUSTOMER REFERENCE ONLY.				APPROVALS	DATE	<h2 style="text-align: center;">Amphenol Connex</h2> <p style="text-align: center;">PART DESCRIPTION BNC R/A PCB JACK THRU LEG, SMT CONTACT BULKHEAD - 75 OHM</p> <p style="text-align: center;">PART NO. 112800</p>		
7	INSULATOR DISC	PTFE	NATURAL	1	DRAWN M.ZHANG			
6	BODY-CUBE	BRASS	NICKEL	1				
5	CONTACT-REAR	BRASS	GOLD	1	CHECKED			
4	INSULATOR	PTFE	NATURAL	1	ISSUED			
3	CONTACT PIN	BER. COPPER	GOLD	1	SHEET 1 OF 1			
2	LOCK RING	BRASS	NICKEL	1	CAD FILE C:/CONNEX/112800.DWG			
1	BODY	BRASS	NICKEL	1	DWG. NO. 112800.DWG			
<small>UNLESS OTHERWISE SPECIFIED TOLERANCES FOR MILLIMETERS ARE: 0.5 - 8mm ± 0.20mm 8 - 30mm ± 0.40mm 30 - 120mm ± 0.50mm UNLESS OTHERWISE SPECIFIED TOLERANCES FOR INCHES ARE: .020 - .315 = ± 0.007" .315 - 1.180 = ± 0.015" 1.180 - 4.724 = ± 0.020"</small>				DO NOT SCALE DRAWING		REV. F	SIZE A	SCALE NA