

Excellent Integrated System Limited

Stocking Distributor

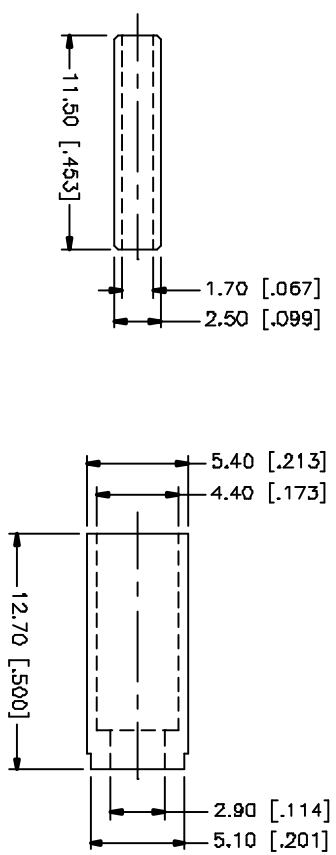
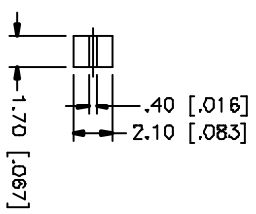
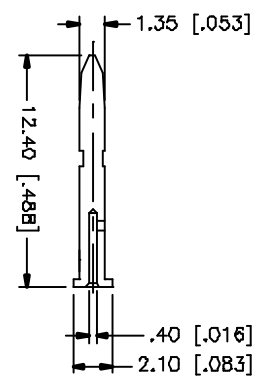
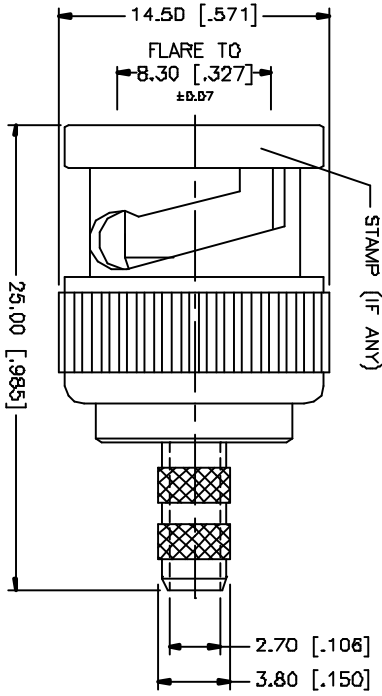
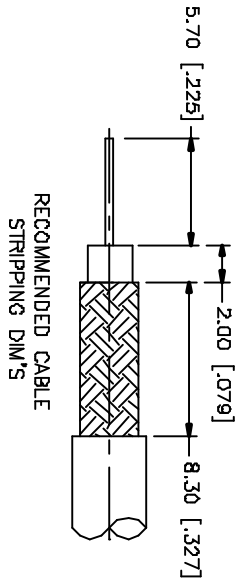
Click to view price, real time Inventory, Delivery & Lifecycle Information:

[Amphenol RF](#)
[112954-10](#)

For any questions, you can email us directly:

sales@integrated-circuit.com

REV.	DATE	DESCRIPTION
NC	08/25/04	INITIAL RELEASE



- NOTES:
1. CRIMPED FERRULE
HEX CRIMP SIZE .178"
 2. CRIMPED CONTACT PIN
HEX CRIMP SIZE .042"

QTY	DESCRIPTION	MATERIAL	FINISH	QTY	DO NOT SCALE DRAWING	APPROVALS	DATE	PART DESCRIPTION	DWG NO.	REV.	NC	SIZE	SCALE
1	INSULATOR	TEFLON	NATURAL	1				Amphenol Connex BNC CRIMP PLUG (FOR BELDEN 179DT CABLE) 112954-10	112954-10.DWG	NC	A	NA	
1	BODY	BRASS	NICKEL	1									
1	CONTACT PIN	BRASS	NATURAL	1									
1	SLEEVE	DELURIN	NATURAL	1									
1	FERRULE	BRASS	NICKEL	1									
<small>UNLESS OTHERWISE SPECIFIED DIMENSIONS ARE IN MILLIMETERS (CONVERSION TO INCHES IN PARENTHESES). DIMENSIONS FOR STRIPPER DIELECTRIC SHALL BE IN INCHES AND FOR STRIPPER DIELECTRIC SHALL BE IN MILLIMETERS (CONVERSION TO INCHES IN PARENTHESES). DIMENSIONS FOR STRIPPER DIELECTRIC SHALL BE IN INCHES AND FOR STRIPPER DIELECTRIC SHALL BE IN MILLIMETERS (CONVERSION TO INCHES IN PARENTHESES).</small>						<small>UNLESS OTHERWISE SPECIFIED DIMENSIONS FOR MOUNTING ARE: .020 - .315 ± ± 0.007" .315 - 1.180 ± ± 0.015" 1.180 - 4.724 ± ± 0.020"</small>		<small>UNLESS OTHERWISE SPECIFIED DIMENSIONS ARE IN MILLIMETERS (CONVERSION TO INCHES IN PARENTHESES). DIMENSIONS FOR STRIPPER DIELECTRIC SHALL BE IN INCHES AND FOR STRIPPER DIELECTRIC SHALL BE IN MILLIMETERS (CONVERSION TO INCHES IN PARENTHESES).</small>					
<small>UNLESS OTHERWISE SPECIFIED DIMENSIONS FOR MOUNTING ARE: .020 - .315 ± ± 0.007" .315 - 1.180 ± ± 0.015" 1.180 - 4.724 ± ± 0.020"</small>						<small>UNLESS OTHERWISE SPECIFIED DIMENSIONS ARE IN MILLIMETERS (CONVERSION TO INCHES IN PARENTHESES). DIMENSIONS FOR STRIPPER DIELECTRIC SHALL BE IN INCHES AND FOR STRIPPER DIELECTRIC SHALL BE IN MILLIMETERS (CONVERSION TO INCHES IN PARENTHESES).</small>		<small>UNLESS OTHERWISE SPECIFIED DIMENSIONS ARE IN MILLIMETERS (CONVERSION TO INCHES IN PARENTHESES). DIMENSIONS FOR STRIPPER DIELECTRIC SHALL BE IN INCHES AND FOR STRIPPER DIELECTRIC SHALL BE IN MILLIMETERS (CONVERSION TO INCHES IN PARENTHESES).</small>					
<small>UNLESS OTHERWISE SPECIFIED DIMENSIONS ARE IN MILLIMETERS (CONVERSION TO INCHES IN PARENTHESES). DIMENSIONS FOR STRIPPER DIELECTRIC SHALL BE IN INCHES AND FOR STRIPPER DIELECTRIC SHALL BE IN MILLIMETERS (CONVERSION TO INCHES IN PARENTHESES).</small>						<small>UNLESS OTHERWISE SPECIFIED DIMENSIONS ARE IN MILLIMETERS (CONVERSION TO INCHES IN PARENTHESES). DIMENSIONS FOR STRIPPER DIELECTRIC SHALL BE IN INCHES AND FOR STRIPPER DIELECTRIC SHALL BE IN MILLIMETERS (CONVERSION TO INCHES IN PARENTHESES).</small>		<small>UNLESS OTHERWISE SPECIFIED DIMENSIONS ARE IN MILLIMETERS (CONVERSION TO INCHES IN PARENTHESES). DIMENSIONS FOR STRIPPER DIELECTRIC SHALL BE IN INCHES AND FOR STRIPPER DIELECTRIC SHALL BE IN MILLIMETERS (CONVERSION TO INCHES IN PARENTHESES).</small>					
<small>UNLESS OTHERWISE SPECIFIED DIMENSIONS ARE IN MILLIMETERS (CONVERSION TO INCHES IN PARENTHESES). DIMENSIONS FOR STRIPPER DIELECTRIC SHALL BE IN INCHES AND FOR STRIPPER DIELECTRIC SHALL BE IN MILLIMETERS (CONVERSION TO INCHES IN PARENTHESES).</small>						<small>UNLESS OTHERWISE SPECIFIED DIMENSIONS ARE IN MILLIMETERS (CONVERSION TO INCHES IN PARENTHESES). DIMENSIONS FOR STRIPPER DIELECTRIC SHALL BE IN INCHES AND FOR STRIPPER DIELECTRIC SHALL BE IN MILLIMETERS (CONVERSION TO INCHES IN PARENTHESES).</small>		<small>UNLESS OTHERWISE SPECIFIED DIMENSIONS ARE IN MILLIMETERS (CONVERSION TO INCHES IN PARENTHESES). DIMENSIONS FOR STRIPPER DIELECTRIC SHALL BE IN INCHES AND FOR STRIPPER DIELECTRIC SHALL BE IN MILLIMETERS (CONVERSION TO INCHES IN PARENTHESES).</small>					