

Excellent Integrated System Limited

Stocking Distributor

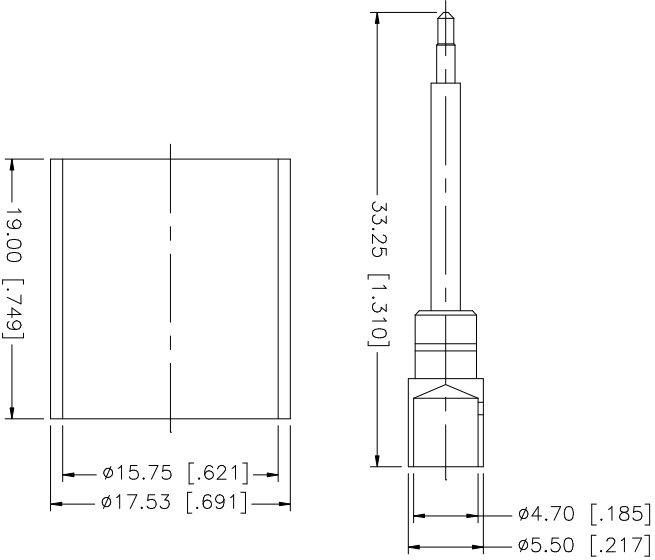
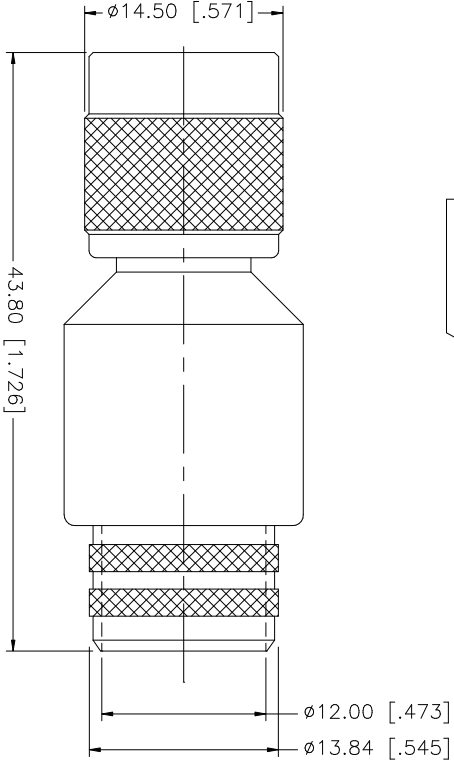
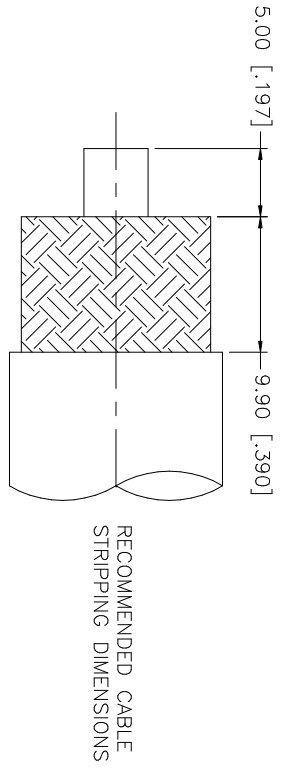
Click to view price, real time Inventory, Delivery & Lifecycle Information:

[Amphenol RF](#)
[122417](#)

For any questions, you can email us directly:

sales@integrated-circuit.com

REV.	DATE	DESCRIPTION
A	10/25/99	UPDATE CONTACT PIN
B	03/18/05	UPDATE DRAWING FORMAT
C	06/01/06	ADD CRIMP NOTES



- NOTE:
1. USE CONNEX CRIMP HANDLE #47-4009-20 W/DIE #47-4009-01 TO CRIMP FERRULE.
 2. SOLDER CENTER CONTACT.

QTY	DESCRIPTION	MATERIAL	FINISH
1	DO NOT SCALE DRAWING		
1	INSULATOR BODY	BRASS	NICKEL
1	CONTACT PIN	BRASS	NATURAL
1	FERRULE	BRASS	NICKEL

APPROVALS	DATE
DRAWN G.R.S.	06/01/06
CHECKED	
ISSUED	
SHEET 1 OF 1	

UNLESS OTHERWISE SPECIFIED DIMENSIONS ARE IN MILLIMETERS DIMENSIONS IN [] ARE IN INCHES AND FOR CUSTOMER REFERENCE ONLY.
TOLERANCES FOR MILLIMETERS ARE: 0.5 - 8mm ± 0.20mm 8 - 30mm ± 0.40mm 30 - 120mm ± 0.50mm
TOLERANCES FOR INCHES ARE: .020 - .315 = ± 0.007" .315 - 1.180 = ± 0.015" 1.180 - 4.724 = ± 0.020"

CAD FILE	DWG. NO.	REV.	SIZE	SCALE
C:/122/122417.DWG	122417.DWG	C	A	NA

PART DESCRIPTION	PART NO.
Amphenol Connex TNC CRIMP PLUG (FOR LMR 600 CABLE)	122417