



Excellent Integrated System Limited

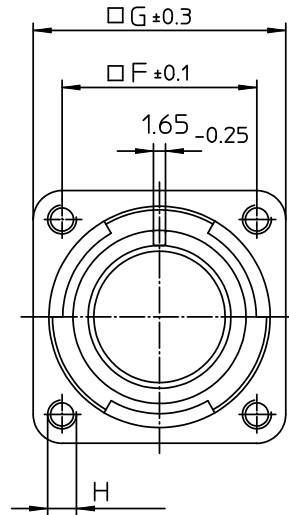
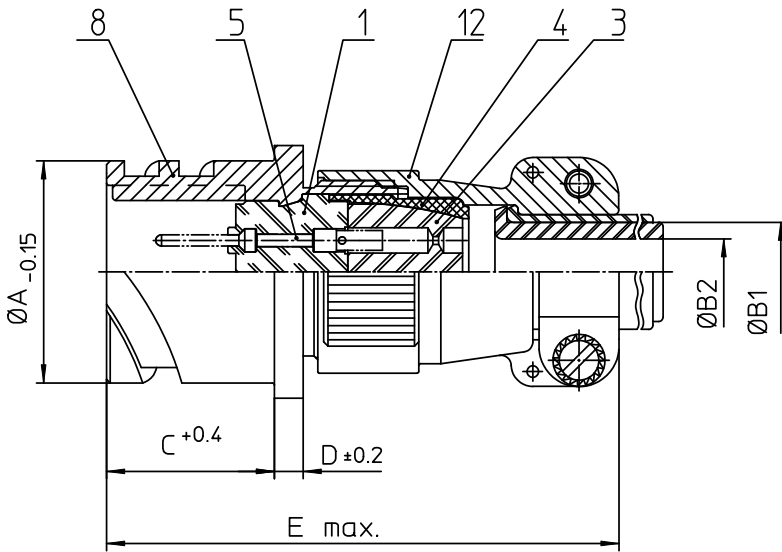
Stocking Distributor

Click to view price, real time Inventory, Delivery & Lifecycle Information:

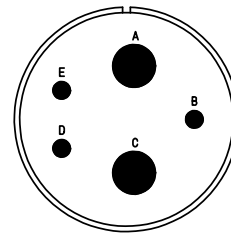
[ITT Cannon, LLC](#)
[CA00COME24-12PB-44](#)

For any questions, you can email us directly:

sales@integrated-circuit.com




| NO. | MASSE / DIMENSION |
|-----|-------------------|
| A | 40,9 |
| B1 | 21,5 |
| B2 | 16,6 |
| C | 23,05 |
| D | 4 |
| E | 78 |
| F | 34,9 |
| G | 44,5 |
| H | M4 |



| NO. | BESCHREIBUNG / DESCRIPTION |
|-----|-------------------------------------|
| 1 | ISOLIERKÖRPER STIFT / INSULATOR PIN |
| 3 | DICHTKÖRPER / GROMMET |
| 4 | ENDRING / ENDRING |
| 5 | KONTAKTSTIFT/ CONTACT PIN |
| 8 | DOSENGEHÄUSE / SHELL |
| 12 | ENDGEHÄUSE / ENDBELL |

Note: Due to an automatic nomenclature system, numbers generated may not be sequential.
 Specification and Dimensions subject to change
 Drawings illustrate normal insulator positioning

| Material Specification: | |
|-------------------------|-----------------|
| Shell Material: | Aluminium alloy |
| Shell Plating: | Nickel plated |
| Insulator Material: | CR-Elastomere |
| Contact Material: | Copper alloy |
| Contact Plating: | Hard silver |

| all dimensions are in mm | | Dimensions without tolerance indications are general tolerances in acc. with DIN7168m | drawing for |
|---|--|--|-------------|
|  ITT Engineered for life <small>ITT CANNON GmbH D-71284 Winstedt, Germany</small> | | description | CUSTOMER |
| | | CA00COM-E24-12P-B-44 Wall mounting receptacle Endbell with ferrule and grommet Solder Cup / Pin / Layout: 24-12 | |
| <small>© All rights reserved. Reproduction or issue in third in any form whatever is only permitted with written authorization of ITT Cannon</small> | | page 1/1 revision 484 3. Jul 16 | |