



Excellent Integrated System Limited

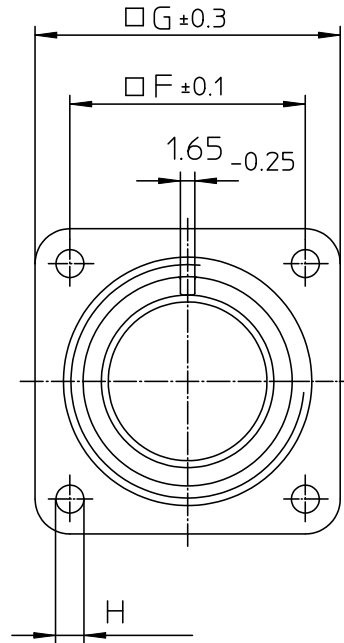
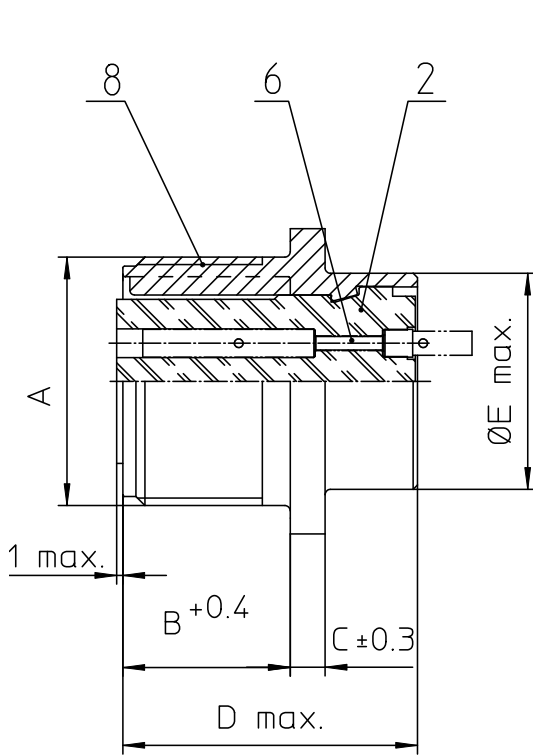
Stocking Distributor

Click to view price, real time Inventory, Delivery & Lifecycle Information:

[ITT Cannon, LLC](#)
[CA02COME10SL-3S](#)

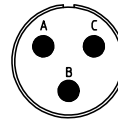
For any questions, you can email us directly:

sales@integrated-circuit.com



NO.	MASSE / DIMENSION
A	5/8-24UNEF-2A
B	14,2
C	2,8
D	25,1
E	15,9
F	18,2
G	25,4
H	3,1

NO.	BESCHREIBUNG / DESCRIPTION
2	ISOLIERKÖRPER BÜCHSE / INSULATOR SOCKET
6	KONTAKTBÜCHSE / CONTACT SOCKET
8	DOSENGEHÄUSE / SHELL



Note: Due to an automatic nomenclature system, numbers generated may not be sequential.
Specification and Dimensions subject to change
Drawings illustrate normal insulator positioning

Material Specification:
Shell Material: Aluminium alloy
Shell Plating: Nickel plated
Insulator Material: CR-Elastomere
Contact Material: Copper alloy
Contact Plating: Hard silver

all dimensions are in mm
Dimensions without tolerance indications are general tolerances in acc. with DIN7168m
drawing for CUSTOMER

ITT
Engineered for life
ITT CANNON GMBH
D-71334 Wernau/Germany

description CA02COM-E10SL-3S
Box mounting receptacle

Solder Cup / Socket / Layout: 10SL-3

© All rights reserved. Reproduction or issue in any form without written authorization of ITT Cannon

page 1/1 revision 480.3, Jul 16