



Excellent Integrated System Limited

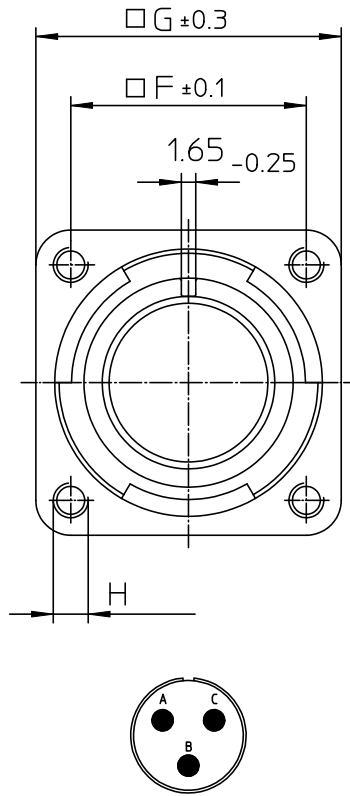
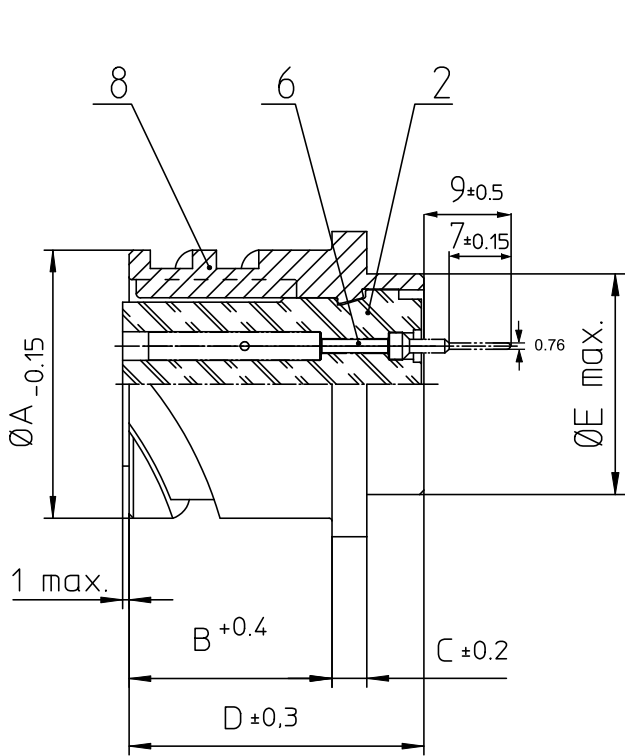
Stocking Distributor

Click to view price, real time Inventory, Delivery & Lifecycle Information:

[ITT Cannon, LLC](#)
[CA20COML10SL-3SBA176](#)

For any questions, you can email us directly:

sales@integrated-circuit.com



NO.	MASSE / DIMENSION
A	18,2
B	18,2
C	2,8
D	24,7
E	16,2
F	18,2
G	25,4
H	M4

NO.	BESCHREIBUNG / DESCRIPTION
2	ISOLIERKÖRPER BUCHSE / INSULATOR SOCKET
6	KONTAKTBUCHSE / CONTACT SOCKET
8	DOSENGEHÄUSE / SHELL

Note: Due to an automatic nomenclature system, numbers generated may not be sequential.
 Specification and Dimensions subject to change
 Drawings illustrate normal insulator positioning

Material Specification:	
Shell Material:	Aluminium alloy
Shell Plating:	Nickel plated
Insulator Material:	CR-Elastomere
Contact Material:	Copper alloy
Contact Plating:	Gold 0,5 µm

all dimensions are in mm
 Dimensions without tolerance indications are general tolerances in acc. with DIN7168m

drawing for
 CUSTOMER



description CA20COM-L10SL-3S-B-A176
 Box mounting receptacle

Engineered for life
 ITT CANNON SYSTEMS
 51-1704 Westfield, Germany

PCB Ø 0,76 / Socket / Layout: 10SL-3

© All rights reserved. Reproduction or issue in any form without written authorization of ITT Cannon

page 1/2

revision 484 3. Jul 16