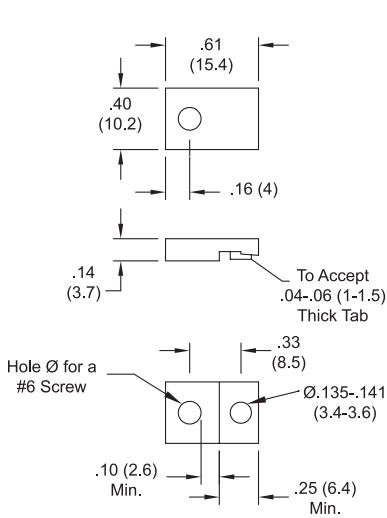
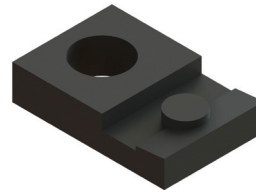
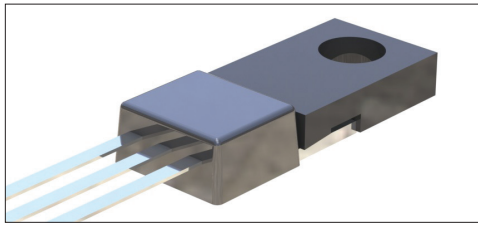
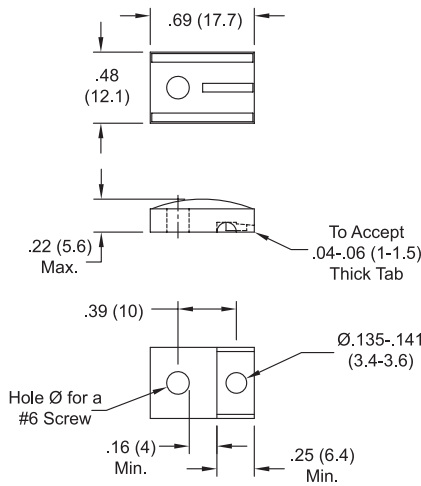




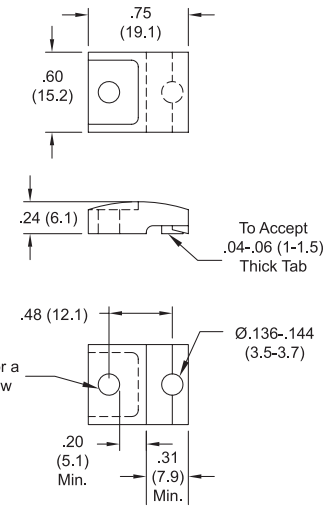
**IEC**  
**Transistor Insulator**



**IEC-TO-220-18**



**IEC-TO-220V-18**

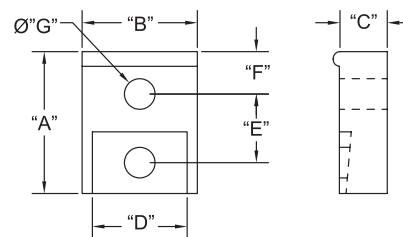
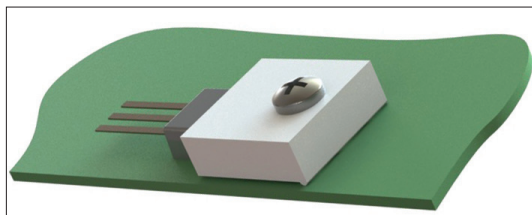


**IEC-TO-218-18**

- Mounts the transistor to the heat sink
- Separates the mounting screw from the transistor or heat sink
- Maximum recommended operating temperature: 120°F
- Material: UL94 HB
- Glass Filled Nylon
- Color: Black

| Item No.       | Bulk Pack Qty. |
|----------------|----------------|
| IEC-TO-220-18  | 1,000          |
| IEC-TO-220V-18 | 1,000          |
| IEC-TO-218-18  | 1,000          |

**HTRTC**  
**High Temp Transistor Insulator**



- Mounts the transistor to the heat sink
- Separates the mounting screw from the transistor or heat sink
- Maximum recommended operating temperature: 266°F (130°C)
- Material: UL94 V-0 PBT
- Color: White

| Item No. | Transistor Case Style | "A"        | "B"      | "C"       | "D"        | "E"      | "F"       | "G"Ø      | Bulk Pack Qty. |
|----------|-----------------------|------------|----------|-----------|------------|----------|-----------|-----------|----------------|
| HTRTC-1  | TO-220                | .63 (16)   | .51 (13) | .21 (5.4) | .42 (10.7) | .32 (8)  | .19 (4.7) | .14 (3.5) | 1,000          |
| HTRTC-1A | TO-220                | .76 (19.3) | .51 (13) | .21 (5.4) | .42 (10.7) | .39 (10) | .24 (6)   | .14 (3.6) | 1,000          |