

## Excellent Integrated System Limited

Stocking Distributor

Click to view price, real time Inventory, Delivery & Lifecycle Information:

[TE Connectivity AMP Connectors  
552843-1](#)

For any questions, you can email us directly:

[sales@integrated-circuit.com](mailto:sales@integrated-circuit.com)



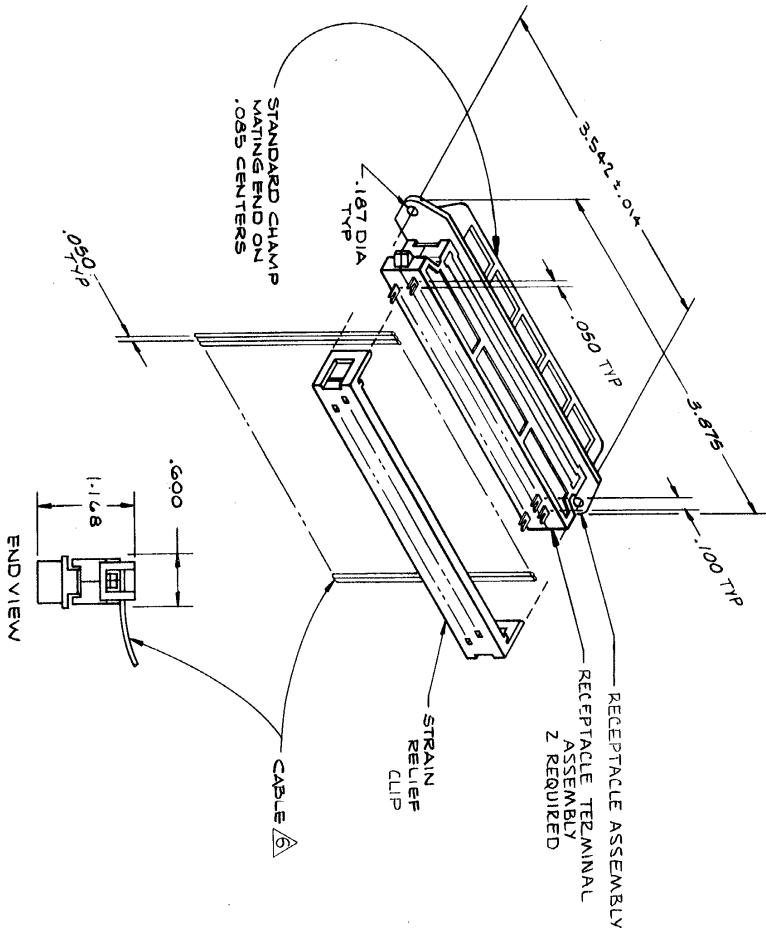
DRAWING MADE IN THIRD ANGLE PROJECTION

3

2

1

© COPYRIGHT 1979 BY AMP INCORPORATED, HARRISBURG, PA.  
 ALL INTERNATIONAL RIGHTS RESERVED. AMP AND AMP CONNECTORS  
 COVERED BY U. S. AND FOREIGN PATENTS AND/OR PATENTS PENDING.



REV	DATE	APPROVED	DESCRIPTION
0	1-15-79	MS	PLSE PER NPI C79-5
A	4-24-79	MS	CHG DWG TITLE ECN C-1254
B	12-18-80	MS	REV PER AA-509
C	2-28-81	MS	REV PER ECW 94-738

1. THE CONTACT SURFACES OF THE TERMINALS ARE COATED WITH LUBRICANT.
2. MATERIAL: HOUSING & STRAIN RELIEF CLIP-THERMO-PLASTIC (BULK) TERMINALS-GOLD OVER NICKEL PLATED HIGH STRENGTH COPPER ALLOY ON MATING END GOLD FLASH OVER NICKEL PLATE ON TERMINATING END.
3. STRAIN RELIEF CLIP SHIPPED UNASSEMBLED.
4. WIRE RANGE: 28 AWG (STRANDED) OR 30 AWG (SOLID) COPPER RIBBON CABLE.
5. ALL DIMENSIONS SHOWN ARE FOR REFERENCE ONLY. RIBBON CABLE SHALL BE FURNISHED BY CUSTOMER.

552843-1 AS SHOWN

UNLESS OTHERWISE SPECIFIED DIMENSIONS ARE IN INCHES. TOLERANCES ON: DECIMALS ± .01 ANGLES ± .1°		CONTRACT NO. DR 710 Field 1-15-79	
MATERIAL		NAME KIT, RCPT, 64 PSN, RIBBON CABLE, CHAMP (THIN FLG)	
FINISH		AMP INCORPORATED Harrisburg, Pa.	
OTHER APPD		SIZE CODE IDENT NO DRAWING NO 552843	
SCALE 1:1		SHEET 1 OF 1	

CHAMP\* / CHAMP-LOC \* Connectors  
 \* Trademarks of AMP Incorporated

AMP 1-571-6 (7-73)

552843

CUSTOMER DRAWING