



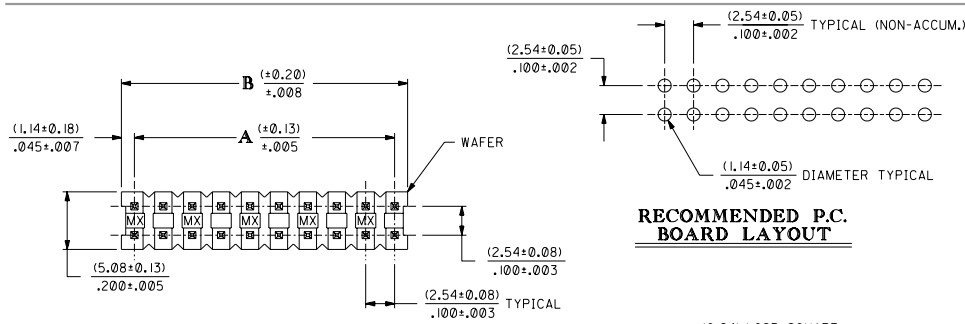
Excellent Integrated System Limited

Stocking Distributor

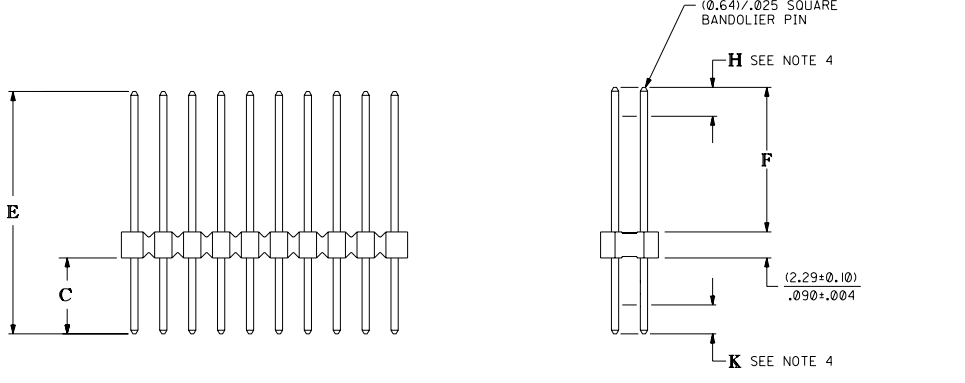
Click to view price, real time Inventory, Delivery & Lifecycle Information:

[Molex Connector Corporation](#)
[10-89-2501](#)

For any questions, you can email us directly:
sales@integrated-circuit.com



RECOMMENDED P.C. BOARD LAYOUT



| CKT. SIZE | DIMENSION A | | DIMENSION B | |
|-----------|-------------|--------|-------------|--------|
| | (MM) | (INCH) | (MM) | (INCH) |
| 4 | (2.54) | .100 | (4.83) | .190 |
| 6 | (5.08) | .200 | (7.37) | .290 |
| 8 | (7.62) | .300 | (9.91) | .390 |
| 10 | (10.16) | .400 | (12.45) | .490 |
| 12 | (12.70) | .500 | (14.99) | .590 |
| 14 | (15.24) | .600 | (17.53) | .690 |
| 16 | (17.78) | .700 | (20.07) | .790 |
| 18 | (20.32) | .800 | (22.61) | .890 |
| 20 | (22.86) | .900 | (25.15) | .990 |
| 22 | (25.40) | 1.000 | (27.69) | 1.090 |
| 24 | (27.94) | 1.100 | (30.23) | 1.190 |
| 26 | (30.48) | 1.200 | (32.77) | 1.290 |
| 28 | (33.02) | 1.300 | (35.31) | 1.390 |
| 30 | (35.56) | 1.400 | (37.85) | 1.490 |
| 32 | (38.10) | 1.500 | (40.39) | 1.590 |
| 34 | (40.64) | 1.600 | (42.93) | 1.690 |
| 36 | (43.18) | 1.700 | (45.47) | 1.790 |
| 38 | (45.72) | 1.800 | (48.01) | 1.890 |
| 40 | (48.26) | 1.900 | (50.55) | 1.990 |
| 42 | (50.80) | 2.000 | (53.09) | 2.090 |
| 44 | (53.34) | 2.100 | (55.63) | 2.190 |
| 46 | (55.88) | 2.200 | (58.17) | 2.290 |
| 48 | (58.42) | 2.300 | (60.71) | 2.390 |
| 50 | (60.96) | 2.400 | (63.25) | 2.490 |
| 52 | (63.50) | 2.500 | (65.79) | 2.590 |
| 54 | (66.04) | 2.600 | (68.33) | 2.690 |
| 56 | (68.58) | 2.700 | (70.87) | 2.790 |
| 58 | (71.12) | 2.800 | (73.41) | 2.890 |
| 60 | (73.66) | 2.900 | (75.95) | 2.990 |
| 62 | (76.20) | 3.000 | (78.49) | 3.090 |
| 64 | (78.74) | 3.100 | (81.03) | 3.190 |
| 66 | (81.28) | 3.200 | (83.57) | 3.290 |
| 68 | (83.82) | 3.300 | (86.11) | 3.390 |
| 70 | (86.36) | 3.400 | (88.65) | 3.490 |
| 72 | (88.90) | 3.500 | (91.19) | 3.590 |
| 74 | (91.44) | 3.600 | (93.73) | 3.690 |
| 76 | (93.98) | 3.700 | (96.27) | 3.790 |
| 78 | (96.52) | 3.800 | (98.81) | 3.890 |
| 80 | (99.06) | 3.900 | (101.35) | 3.990 |

NOTES:

- PIN PUSHOUT FORCE: 4 LBS. MINIMUM (IN EITHER DIRECTION)
- FOR ILLUSTRATION PURPOSES, 20 (DUAL 10) CIRCUIT SIZE IS SHOWN.
- PINS MUST MEET MOLEX SOLDERABILITY SPECIFICATION ES-152, EXCEPT VOIDS ARE PERMISSIBLE AT BANDOLIER PIN FAYING SURFACE (APPROX. .025 LONG X .006 WIDE REF.- 2 LOCATIONS).
- MEASURE POINT FOR PLATING THICKNESS.
- THIS PART CONFORMS TO MOLEX PRODUCT SPECIFICATION PS-8624.
- PACKAGING INFORMATION: (UNLESS OTHERWISE NOTED IN TABLES) PER PACKAGING DRAWING NO. PK-70873-0353 BULK PACKAGED IN BAGS

MATERIAL:

- WAFER - GLASS FILLED POLYESTER; UL94V-0; COLOR: BLACK
- PIN - PHOSPHOR BRONZE

PLATING:

- TIN - .000150 MINIMUM TIN PLATE OVER .000050 MINIMUM NICKEL PLATE.
- 15 GOLD - .000015 MINIMUM GOLD PLATE IN SELECT AREA, .000075 MINIMUM TIN PLATE IN SELECT AREA, OVER .000050 MINIMUM NICKEL PLATE OVERALL.
- 30 GOLD - .000030 MINIMUM GOLD PLATE IN SELECT AREA, .000075 MINIMUM TIN PLATE IN SELECT AREA, OVER .000050 MINIMUM NICKEL PLATE OVERALL.
- D30 GOLD - .000030 MINIMUM GOLD PLATE IN SELECT AREAS OVER .000050 MINIMUM NICKEL PLATE OVERALL.
- 5 GOLD - .000005 MINIMUM GOLD FLASH IN SELECT AREA, .000075 MINIMUM TIN PLATE IN SELECT AREA, OVER .000050 MINIMUM NICKEL PLATE OVERALL.

*THE PRIMARY SHIPPING CARTON WILL BE LABELED 'COMPLIANT TO ROHS DIRECTIVE 2002/95/EC AND ELV ANNEX II OF DIRECTIVE 2000/53/EC'. CARTONS WITHOUT THIS LABEL MAY CONTAIN PRODUCT WITH LEAD.

| | | | |
|---|---|----|--|
| 7 | P | | |
| 6 | P | | |
| 5 | P | B1 | ADDED EDP NOS. PER ECR # U31521 REED |
| 4 | P | B | REVISED PER ECR # U30385 REED |
| 3 | P | A | RELEASED PER ECR # U30114 02/03/93 MGB |
| 2 | P | | |
| 1 | P | | |

DIMENSIONS SHOWN (METRIC) INCH
 UNLESS OTHERWISE SPECIFIED
 TOLERANCES: MILLIMETER ± .025
 INCH ± .010
 DRAFT ANGLE: 30°
 DIMENSIONS SHOWN (METRIC) INCH UNLESS OTHERWISE SPECIFIED TOLERANCES: MILLIMETER ± .025 INCH ± .010 DRAFT ANGLE: 30°

TITLE: SALES ASSY-DUAL ROW WAFER W/BREAK-OFF OPTION .025 SQ. PINS/.100 GRID
 PART NO.: SDA-8624-0001-5000
 DATE: 11/30/88
 FILE NAME: SB624X1
 THIS DRAWING CONTAINS INFORMATION THAT IS PROPRIETARY TO MOLEX INC. AND SHOULD NOT BE USED WITHOUT WRITTEN PERMISSION. DA

