



## Excellent Integrated System Limited

Stocking Distributor

Click to view price, real time Inventory, Delivery & Lifecycle Information:

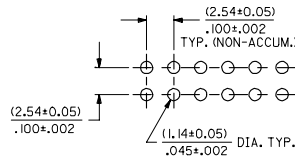
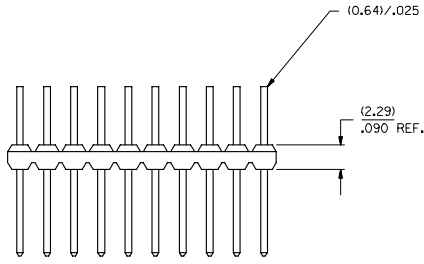
[Molex Connector Corporation](#)

[10-88-3621](#)

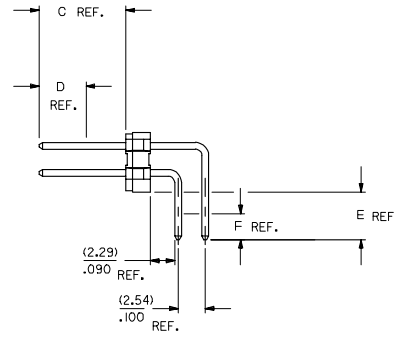
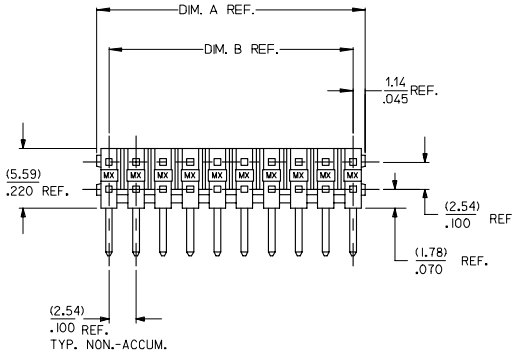
For any questions, you can email us directly:

[sales@integrated-circuit.com](mailto:sales@integrated-circuit.com)

| CKT. SIZE | DIM. A |       | DIM. B |       |
|-----------|--------|-------|--------|-------|
|           | MM     | INCH  | MM     | INCH  |
| 04        | 4.83   | .190  | 2.54   | .100  |
| 06        | 7.37   | .290  | 5.08   | .200  |
| 08        | 9.91   | .390  | 7.62   | .300  |
| 10        | 12.45  | .490  | 10.16  | .400  |
| 12        | 14.99  | .590  | 12.70  | .500  |
| 14        | 17.53  | .690  | 15.24  | .600  |
| 16        | 20.07  | .790  | 17.78  | .700  |
| 18        | 22.61  | .890  | 20.32  | .800  |
| 20        | 25.15  | .990  | 22.86  | .900  |
| 22        | 27.69  | 1.090 | 25.40  | 1.000 |
| 24        | 30.23  | 1.190 | 27.94  | 1.100 |
| 26        | 32.77  | 1.290 | 30.48  | 1.200 |
| 28        | 35.31  | 1.390 | 33.02  | 1.300 |
| 30        | 37.85  | 1.490 | 35.56  | 1.400 |



RECOMMENDED P.C. BOARD HOLE LAYOUT



NOTES:

- MATERIAL: WAFER - GLASS FILLED POLYESTER, 94V-0, COLOR: BLACK, PINS - PHOS. BRONZE.
- FINISH:
  - TIN - 0.00381/0.000150 MINIMUM TIN OVER 0.00127/0.000050 MINIMUM NICKEL OVERALL.
  - 15 GOLD - 0.00038/0.000015 MINIMUM GOLD PLATE IN SELECTED AREA AND 0.00191/0.000075 MINIMUM TIN IN SELECTED AREA OVER 0.00127/0.000050 MINIMUM NICKEL OVERALL.
  - 30 GOLD - 0.00076/0.000030 MINIMUM GOLD PLATE IN SELECTED AREA AND 0.00191/0.000075 MINIMUM TIN IN SELECTED AREA OVER 0.00121/0.000050 MINIMUM NICKEL OVERALL.
- PRODUCT SPECIFICATION: PS-70216.
- PACKAGING SPECIFICATION: FOR 4 THROUGH 8 CIRCUIT PARTS US PK-70873-0353. FOR 10 CIRCUITS AND OVER USE PK-70873-0075.
- PIN PUSHOUT FORCE: 4 LBS. MINIMUM.
- FOR ILLUSTRATION PURPOSES, 20 (DUAL 10) CIRCUIT SIZE WAFER IS SHOWN.
- PINS MUST MEET SOLDERABILITY SPEC. NO. 152.
- WAFER TO BE FLAT WITHIN (0.03 MM/CM) OR .003 IN/IN.
- FOR ASSEMBLIES WITH VODDED PINS, CONTACT MOLEX SALES REPRESENTATIVE.
- THIS PART CONFORMS TO CLASS B REQUIREMENTS OF COSMETIC SPECIFICATION PS-45499-002.

| ADD NOTE 10<br>ELC NO: UCF2007-1509<br>2006/12/19<br>DRAWN BY: CHYKDAUER<br>2006/12/19<br>CHECKED BY: APPROV: SMITH<br>2006/12/20<br>DESCRIPTION: | QUALITY SYMBOLS | GENERAL TOLERANCES (UNLESS SPECIFIED)  | DIMENSION STYLE                    | SCALE  | DESIGN UNITS        | THIRD ANGLE PROJECTION |      |      |          |      |       |          |       |      |         |       |      |       |     |      |   |
|---|-----------------|--|------------------------------------|--|---------------------|------------------------|------|------|----------|------|-------|----------|-------|------|---------|-------|------|-------|-----|------|---|
|   | ▽=0<br>▽=0      | <table border="1"> <thead> <tr> <th></th> <th>mm</th> <th>INCH</th> </tr> </thead> <tbody> <tr> <td>4 PLACES</td> <td>±---</td> <td>±---</td> </tr> <tr> <td>3 PLACES</td> <td>±---</td> <td>±.005</td> </tr> <tr> <td>2 PLACES</td> <td>±0.13</td> <td>±.01</td> </tr> <tr> <td>1 PLACE</td> <td>±0.25</td> <td>±---</td> </tr> </tbody> </table> ANGULAR ±1/2° |                                    | mm   | INCH                | 4 PLACES               | ±--- | ±--- | 3 PLACES | ±--- | ±.005 | 2 PLACES | ±0.13 | ±.01 | 1 PLACE | ±0.25 | ±--- | MM/IN | 4:1 | INCH | RCB<br>1994/05/18<br>DATE<br>DATE<br>DATE |
|   |                 | mm   | INCH                               |  |                     |                        |      |      |          |      |       |          |       |      |         |       |      |       |     |      |   |
|   | 4 PLACES        | ±---   | ±---                               |  |                     |                        |      |      |          |      |       |          |       |      |         |       |      |       |     |      |   |
| 3 PLACES  | ±---            | ±.005  |                                    |  |                     |                        |      |      |          |      |       |          |       |      |         |       |      |       |     |      |   |
| 2 PLACES  | ±0.13           | ±.01   |                                    |  |                     |                        |      |      |          |      |       |          |       |      |         |       |      |       |     |      |   |
| 1 PLACE   | ±0.25           | ±---   |                                    |  |                     |                        |      |      |          |      |       |          |       |      |         |       |      |       |     |      |   |
| DRAFT WHERE APPLICABLE MUST REMAIN WITHIN DIMENSIONS  | SEE CHART       | MATERIAL NO.   | DOCUMENT NO.                       | RT. ANG. WAFER ASS'Y<br>2.54/.100 GRID, DUAL ROW<br>BREAKAWAY 0.64/.025 PINS |                     |                        |      |      |          |      |       |          |       |      |         |       |      |       |     |      |   |
| A1  | REV             | SIZE C   | MOLEX INCORPORATED<br>SD-70216-001 |  | SHEET NO.<br>1 OF * |                        |      |      |          |      |       |          |       |      |         |       |      |       |     |      |   |



**70216**

| ENG. NO: A-70216-0079/0092 |                      |              | ENG. NO: A-70216-0118/0131 |                      |              | ENG. NO: A-70216-0235/0248 |                      |              |
|----------------------------|----------------------|--------------|----------------------------|----------------------|--------------|----------------------------|----------------------|--------------|
| DIM. C                     | (6.10)/.240          |              | DIM. C                     | (8.13)/.320          |              | DIM. C                     | (6.10)/.240          |              |
| DIM. E (REF.)              | (2.79)/.110          |              | DIM. E (REF.)              | (2.79)/.110          |              | DIM. E (REF.)              | (2.79)/.110          |              |
| FINISH                     | TIN                  |              | FINISH                     | TIN                  |              | FINISH                     | 15 GOLD              |              |
| CONNECTOR END PLATING      | TIN                  |              | CONNECTOR END PLATING      | TIN                  |              | CONNECTOR END PLATING      | GOLD                 |              |
| DIM. D (MEASURE PT.)       | (2.54)/.100          |              | DIM. D (MEASURE PT.)       | (4.57)/.180          |              | DIM. D (MEASURE PT.)       | (2.54)/.100          |              |
| P.C. BOARD END PLATING     | TIN                  |              | P.C. BOARD END PLATING     | TIN                  |              | P.C. BOARD END PLATING     | TIN                  |              |
| DIM. F (MEASURE PT.)       | (1.27)/.050          |              | DIM. F (MEASURE PT.)       | (1.27)/.050          |              | DIM. F (MEASURE PT.)       | (1.27)/.050          |              |
| PACKAGING                  | SEE NOTE 4 ON SHT. 1 |              | PACKAGING                  | SEE NOTE 4 ON SHT. 1 |              | PACKAGING                  | SEE NOTE 4 ON SHT. 1 |              |
| CKTS                       | EDP NUMBER           | ENG. NUMBER  | CKTS                       | EDP NUMBER           | ENG. NUMBER  | CKTS                       | EDP NUMBER           | ENG. NUMBER  |
| 04                         | 10-88-3041           | A-70216-0079 | 04                         | 10-88-3042           | A-70216-0118 | 04                         | 10-89-4042           | A-70216-0235 |
| 06                         | 10-88-3061           | A-70216-0080 | 06                         | 10-88-3062           | A-70216-0119 | 06                         | 10-89-4062           | A-70216-0236 |
| 08                         | 10-88-3081           | A-70216-0081 | 08                         | 10-88-3082           | A-70216-0120 | 08                         | 10-89-4082           | A-70216-0237 |
| 10                         | 10-88-3101           | A-70216-0082 | 10                         | 10-88-3102           | A-70216-0121 | 10                         | 10-89-4102           | A-70216-0238 |
| 12                         | 10-88-3121           | A-70216-0083 | 12                         | 10-88-3122           | A-70216-0122 | 12                         | 10-89-4122           | A-70216-0239 |
| 14                         | 10-88-3141           | A-70216-0084 | 14                         | 10-88-3142           | A-70216-0123 | 14                         | 10-89-4142           | A-70216-0240 |
| 16                         | 10-88-3161           | A-70216-0085 | 16                         | 10-88-3162           | A-70216-0124 | 16                         | 10-89-4162           | A-70216-0241 |
| 18                         | 10-88-3181           | A-70216-0086 | 18                         | 10-88-3182           | A-70216-0125 | 18                         | 10-89-4182           | A-70216-0242 |
| 20                         | 10-88-3201           | A-70216-0087 | 20                         | 10-88-3202           | A-70216-0126 | 20                         | 10-89-4202           | A-70216-0243 |
| 22                         | 10-88-3221           | A-70216-0088 | 22                         | 10-88-3222           | A-70216-0127 | 22                         | 10-89-4222           | A-70216-0244 |
| 24                         | 10-88-3241           | A-70216-0089 | 24                         | 10-88-3242           | A-70216-0128 | 24                         | 10-89-4242           | A-70216-0245 |
| 26                         | 10-88-3261           | A-70216-0090 | 26                         | 10-88-3262           | A-70216-0129 | 26                         | 10-89-4262           | A-70216-0246 |
| 28                         | 10-88-3281           | A-70216-0091 | 28                         | 10-88-3282           | A-70216-0130 | 28                         | 10-89-4282           | A-70216-0247 |
| 30                         | 10-88-3301           | A-70216-0092 | 30                         | 10-88-3302           | A-70216-0131 | 30                         | 10-89-4302           | A-70216-0248 |

|   |   |   |                               |
|---|---|---|-------------------------------|
| REV:<br><b>A1</b>                       | ECR/ECN INFORMATION                     | TITLE:<br><b>RT. ANG. WAFER ASS'Y<br/>2.54/.100 GRID, DUAL ROW<br/>BREAKAWAY 0.64/.025 PINS</b> | SHEET No.                     |
|   | EC No: <b>UCP2007-1509</b>              |   | <b>- 2 -</b>                  |
|   | DATE: <b>2006-12-18</b>                 |   |                               |
| DOCUMENT NUMBER:<br><b>SD-70216-001</b> | CREATED / REVISED BY:<br><b>PRIDDER</b> | CHECKED BY:<br><b>ADERR</b>   | APPROVED BY:<br><b>FSMITH</b> |



**70216**

| ENG. NO: A-70216-0274/0287 |                      |              | ENG. NO: A-70216-0391/0404 |                      |              | ENG. NO: A-70216-0430/0443 |                      |              |
|----------------------------|----------------------|--------------|----------------------------|----------------------|--------------|----------------------------|----------------------|--------------|
| DIM. C                     | (8.13)/.320          |              | DIM. C                     | (6.10)/.240          |              | DIM. C                     | (8.13)/.320          |              |
| DIM. E (REF.)              | (2.79)/.110          |              | DIM. E (REF.)              | (2.79)/.110          |              | DIM. E (REF.)              | (2.79)/.110          |              |
| FINISH                     | 15 GOLD              |              | FINISH                     | 30 GOLD              |              | FINISH                     | 30 GOLD              |              |
| CONNECTOR END PLATING      | GOLD                 |              | CONNECTOR END PLATING      | GOLD                 |              | CONNECTOR END PLATING      | GOLD                 |              |
| DIM. D (MEASURE PT.)       | (4.57)/.180          |              | DIM. D (MEASURE PT.)       | (2.54)/.100          |              | DIM. D (MEASURE PT.)       | (4.57)/.180          |              |
| P.C. BOARD END PLATING     | TIN                  |              | P.C. BOARD END PLATING     | TIN                  |              | P.C. BOARD END PLATING     | TIN                  |              |
| DIM. F (MEASURE PT.)       | (1.27)/.050          |              | DIM. F (MEASURE PT.)       | (1.27)/.050          |              | DIM. F (MEASURE PT.)       | (1.27)/.050          |              |
| PACKAGING                  | SEE NOTE 4 ON SHT. 1 |              | PACKAGING                  | SEE NOTE 4 ON SHT. 1 |              | PACKAGING                  | SEE NOTE 4 ON SHT. 1 |              |
| CKTS                       | EDP NUMBER           | ENG. NUMBER  | CKTS                       | EDP NUMBER           | ENG. NUMBER  | CKTS                       | EDP NUMBER           | ENG. NUMBER  |
| 04                         | 10-89-4043           | A-70216-0274 | 04                         | 10-89-4046           | A-70216-0391 | 04                         | 10-89-4047           | A-70216-0430 |
| 06                         | 10-89-4063           | A-70216-0275 | 06                         | 10-89-4066           | A-70216-0392 | 06                         | 10-89-4067           | A-70216-0431 |
| 08                         | 10-89-4083           | A-70216-0276 | 08                         | 10-89-4086           | A-70216-0393 | 08                         | 10-89-4087           | A-70216-0432 |
| 10                         | 10-89-4103           | A-70216-0277 | 10                         | 10-89-4106           | A-70216-0394 | 10                         | 10-89-4107           | A-70216-0433 |
| 12                         | 10-89-4123           | A-70216-0278 | 12                         | 10-89-4126           | A-70216-0395 | 12                         | 10-89-4127           | A-70216-0434 |
| 14                         | 10-89-4143           | A-70216-0279 | 14                         | 10-89-4146           | A-70216-0396 | 14                         | 10-89-4147           | A-70216-0435 |
| 16                         | 10-89-4163           | A-70216-0280 | 16                         | 10-89-4166           | A-70216-0397 | 16                         | 10-89-4167           | A-70216-0436 |
| 18                         | 10-89-4183           | A-70216-0281 | 18                         | 10-89-4186           | A-70216-0398 | 18                         | 10-89-4187           | A-70216-0437 |
| 20                         | 10-89-4203           | A-70216-0282 | 20                         | 10-89-4206           | A-70216-0399 | 20                         | 10-89-4207           | A-70216-0438 |
| 22                         | 10-89-4223           | A-70216-0283 | 22                         | 10-89-4226           | A-70216-0400 | 22                         | 10-89-4227           | A-70216-0439 |
| 24                         | 10-89-4243           | A-70216-0284 | 24                         | 10-89-4246           | A-70216-0401 | 24                         | 10-89-4247           | A-70216-0440 |
| 26                         | 10-89-4263           | A-70216-0285 | 26                         | 10-89-4266           | A-70216-0402 | 26                         | 10-89-4267           | A-70216-0441 |
| 28                         | 10-89-4283           | A-70216-0286 | 28                         | 10-89-4286           | A-70216-0403 | 28                         | 10-89-4287           | A-70216-0442 |
| 30                         | 10-89-4303           | A-70216-0287 | 30                         | 10-89-4306           | A-70216-0404 | 30                         | 10-89-4307           | A-70216-0443 |

|   |   |   |                               |
|---|---|---|-------------------------------|
| REV:<br><b>A1</b>                       | ECR/ECN INFORMATION                     | TITLE:<br><b>RT. ANG. WAFER ASS'Y<br/>2.54/.100 GRID, DUAL ROW<br/>BREAKAWAY 0.64/.025 PINS</b> | SHEET No.<br><b>- 3 -</b>     |
|   | EC No: <b>UCP2007-1509</b>              |   |                               |
|   | DATE: <b>2006-12-18</b>                 |   |                               |
| DOCUMENT NUMBER:<br><b>SD-70216-001</b> | CREATED / REVISED BY:<br><b>PRIDDER</b> | CHECKED BY:<br><b>ADERR</b>   | APPROVED BY:<br><b>FSMITH</b> |



70216

| ENG. NO: A-70216-0313/0326 |                      |              | ENG. NO: A-70216-      |            |             | ENG. NO: A-70216-      |            |             |
|----------------------------|----------------------|--------------|------------------------|------------|-------------|------------------------|------------|-------------|
| DIM. C                     | (6.10)/.240          |              | DIM. C                 |            |             | DIM. C                 |            |             |
| DIM. E (REF.)              | (4.19)/.165          |              | DIM. E (REF.)          |            |             | DIM. E (REF.)          |            |             |
| FINISH                     | 15 GOLD              |              | FINISH                 |            |             | FINISH                 |            |             |
| CONNECTOR END PLATING      | GOLD                 |              | CONNECTOR END PLATING  |            |             | CONNECTOR END PLATING  |            |             |
| DIM. D (MEASURE PT.)       | (4.57)/.180          |              | DIM. D (MEASURE PT.)   |            |             | DIM. D (MEASURE PT.)   |            |             |
| P.C. BOARD END PLATING     | TIN                  |              | P.C. BOARD END PLATING |            |             | P.C. BOARD END PLATING |            |             |
| DIM. F (MEASURE PT.)       | (1.27)/.050          |              | DIM. F (MEASURE PT.)   |            |             | DIM. F (MEASURE PT.)   |            |             |
| PACKAGING                  | SEE NOTE 4 ON SHT. 1 |              | PACKAGING              |            |             | PACKAGING              |            |             |
| CKTS                       | EDP NUMBER           | ENG. NUMBER  | CKTS                   | EDP NUMBER | ENG. NUMBER | CKTS                   | EDP NUMBER | ENG. NUMBER |
| 04                         |                      |              | 04                     |            |             | 04                     |            |             |
| 06                         |                      |              | 06                     |            |             | 06                     |            |             |
| 08                         |                      |              | 08                     |            |             | 08                     |            |             |
| 10                         |                      |              | 10                     |            |             | 10                     |            |             |
| 12                         |                      |              | 12                     |            |             | 12                     |            |             |
| 14                         |                      |              | 14                     |            |             | 14                     |            |             |
| 16                         |                      |              | 16                     |            |             | 16                     |            |             |
| 18                         |                      |              | 18                     |            |             | 18                     |            |             |
| 20                         |                      |              | 20                     |            |             | 20                     |            |             |
| 22                         |                      |              | 22                     |            |             | 22                     |            |             |
| 24                         |                      |              | 24                     |            |             | 24                     |            |             |
| 26                         |                      |              | 26                     |            |             | 26                     |            |             |
| 28                         |                      |              | 28                     |            |             | 28                     |            |             |
| 30                         | 50-34-8535           | A-70216-0326 | 30                     |            |             | 30                     |            |             |

|   |   |   |                               |
|---|---|---|-------------------------------|
| REV:<br><b>A1</b>                       | ECR/ECN INFORMATION                     | TITLE:<br><b>RT. ANG. WAFER ASS'Y<br/>2.54/.100 GRID, DUAL ROW<br/>BREAKAWAY 0.64/.025 PINS</b> | SHEET No.                     |
|   | EC No: <b>UCP2007-1509</b>              |   | <b>- 4 -</b>                  |
|   | DATE: <b>2006-12-18</b>                 |   |                               |
| DOCUMENT NUMBER:<br><b>SD-70216-001</b> | CREATED / REVISED BY:<br><b>PRIDDER</b> | CHECKED BY:<br><b>ADERR</b>   | APPROVED BY:<br><b>FSMITH</b> |