



Distributor of Molex Connector Corporation: Excellent Integrated System Limited
Datasheet of 15-44-3206 - Connector Receptacle 12 Position 0.100" (2.54mm) Gold Through Hole

Contact us: sales@integrated-circuit.com Website: www.integrated-circuit.com

Excellent Integrated System Limited

Stocking Distributor

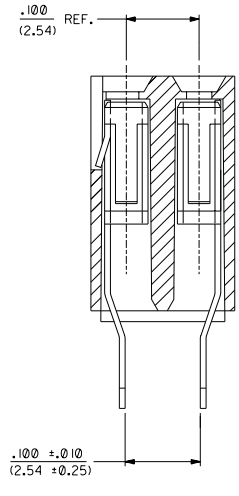
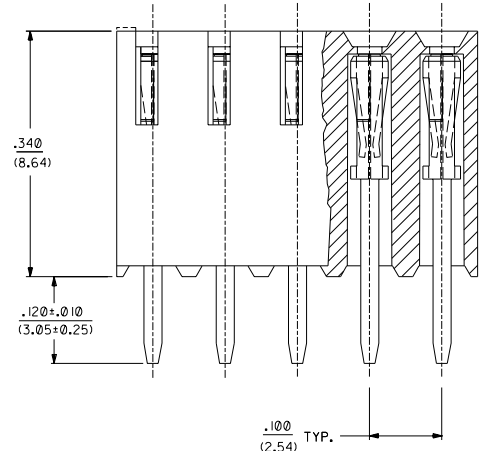
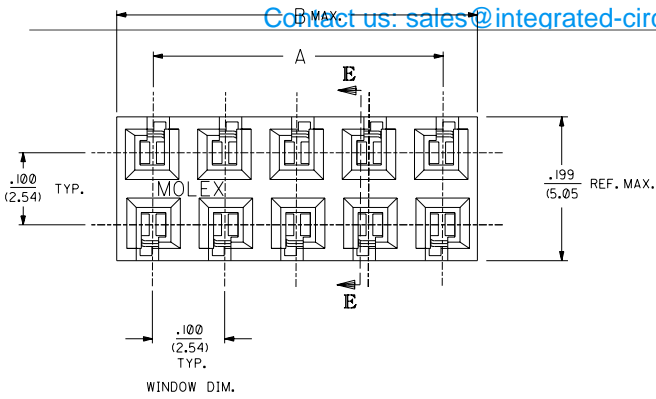
Click to view price, real time Inventory, Delivery & Lifecycle Information:

[Molex Connector Corporation](#)
[15-44-3206](#)

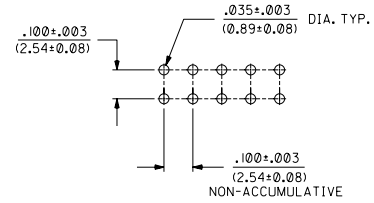
For any questions, you can email us directly:
sales@integrated-circuit.com

Contact us: sales@integrated-circuit.com Website: www.integrated-circuit.com

13 12 11 10 9 8 7 6 5 4 3 2 1



- NOTES:
1 HOUSING MATERIAL: GLASS FILLED POLYESTER, UL 94V-0.
COLOR: BLACK
2 - TERMINAL MATERIAL: PHOSPHOR BRONZE
3 - SEE ADDITIONAL SHEETS FOR CHARTS, PLATINGS, AND OVERALL DIMENSIONS
4 - THIS PRODUCT CONFORMS TO PS-70181.



RECOMMENDED P.C. BOARD HOLE LAYOUT
SCALE = 4:1

SECTION E-E

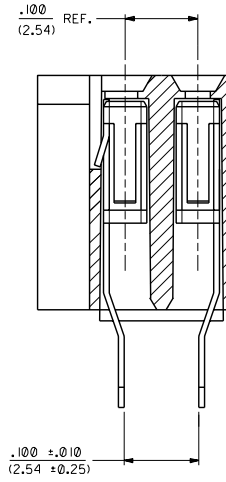
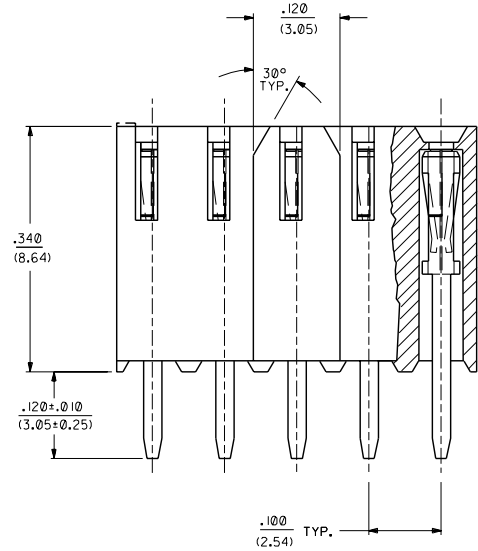
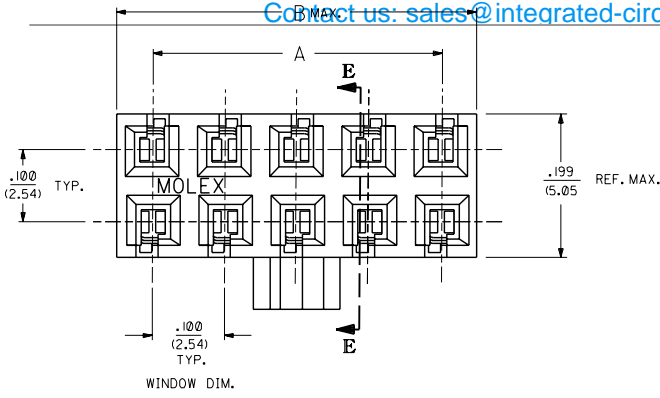
C	LEAD FREE LCP2004-1770 RWWHITE 04/04/28
B	CHANGE PACK SPEC ECN# J012000-0503 DMORGAN 99/12/09
3	C
2	A
1	A

DIMENSIONS SHOWN (METRIC) INCH UNLESS OTHERWISE SPECIFIED TOLERANCES: ANGULAR ± 1/2°		MFG. SH. REV. LTR.		REVISIONS	
± PLACE	± .010	---			
± PLACE	± .014	± 0.25			
± PLACE	---	± 0.35			
DRAFT WHEN DIMENSIONABLE MUST REMAIN WITHIN DIMENSIONS			DRAWING CONTAINS INFORMATION THAT IS PROPRIETARY TO MOLEX INC. AND SHOULD NOT BE USED WITHOUT WRITTEN PERMISSION, DA		
DRG. BY: PM	CHKD. BY: PM	SCALE: 10:1	FILE NAME: SA70192X1.DWG	SHEET NO. 1 OF 3	DATE: 09/10/93
SEE CHART			SDA-70192-***		

13 12 11 10 9 8 7 6 5 4 3 2 1

Contact us: sales@integrated-circuit.com Website: www.integrated-circuit.com

NOTES:
1 - SEE SHEET 1 FOR APPLICABLE NOTES.



SECTION E-E

SINGAPORE ONLY
OPTION -F-
WITH POLARIZING KEY

A	SEE SHEET 1
---	-------------

DIMENSIONS SHOWN IN METRIC INCH		UNLESS OTHERWISE SPECIFIED TOLERANCES ARE AS FOLLOWS:		MFG. SH. REV. LTR. REVISIONS	
3 PLACE ±	INCH	±	METRIC	REVISIONS	
2 PLACE ±	INCH	±	METRIC	REVISIONS	
1 PLACE ±	INCH	±	METRIC	REVISIONS	
DRAWING NUMBER AND ISSUES MUST REMAIN WITHIN DIMENSIONS				TITLE	
DRAWN: PM				CONNECTOR, VERT. MOUNT, DUAL ROW (TOP ENTRY) .100 X .100 P.C. TAIL GRID	
CHECKED: PM				MOLEX INCORPORATED	
APPROVED: PM				1550 E. 21ST AVE. MOLEX U.S.A.	
SCALE: 1:1				SHEET NO. 2	
DATE: 07/17/90				DATE: 07/17/90	
FILE NAME: SA70192X2.DWG				PART NO. SDA-70192-0000	
TWO DIMENSIONS CONTAINING INFORMATION THAT IS PROPRIETARY TO MOLEX INC. AND SHOULD NOT BE USED WITHOUT WRITTEN PERMISSION FROM MOLEX INC.				TEST: DA	

