



Excellent Integrated System Limited

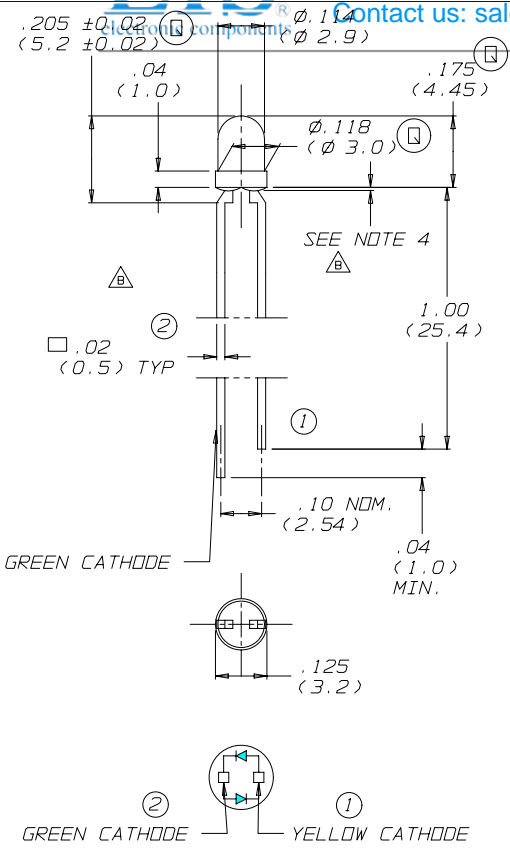
Stocking Distributor

Click to view price, real time Inventory, Delivery & Lifecycle Information:

[Visual Communications Company, LLC](#)
[4301F25/27](#)

For any questions, you can email us directly:

sales@integrated-circuit.com



NOTES:

- LENS COLOR: WHITE DIFFUSED (Q)
- TOLERANCES, UNLESS OTHERWISE SPECIFIED: ± 0.010 ($\pm 0.25mm$.)
- ALL DIMENSIONS ARE IN INCHES (MILLIMETERS).
- PROTRUDED RESIN UNDER FLANGE IS $.04$ ($1.0mm$) MAX
- LEAD SPACING IS MEASURED WHERE THE LEADS EMERGE FROM THE PACKAGE.

PARAMETER	GREEN	YELLOW	UNIT
POWER DISSIPATION	100	60	mW
PEAK FORWARD CURRENT	120	80	mA
CONTINUOUS FORWARD CURRENT	30	20	mA
DERATING LINEAR FROM 50 °C	0.4	0.25	mA/°C
REVERSED VOLTAGE	5	5	V
OPERATING TEMPERATURE RANGE	-55°C TO +100°C		
STORAGE TEMPERATURE RANGE	-55°C TO +100°C		
LEAD SOLDERING TEMPERATURE [1.6mm (0.063in) FROM BODY]	260°C FOR 5 SECONDS		

ELECTRICAL / OPTICAL CHARACTERISTICS AT TA=25°C (GREEN/YELLOW)

PARAMETER	MIN.	TYP.	MAX.	UNIT	TEST CONDITION
LUMINOUS INTENSITY	3.7/2.5	12.6/8.7		mcd	IF = 20 mA
VIEWING ANGLE		80		deg	
PEAK EMISSION WAVELENGTH		565/585		nm	
DOMINANT WAVELENGTH		569/588		nm	
SPECTRAL LINE HALF-WIDTH		30/35		nm	
FORWARD VOLTAGE		2.1	2.8	V	IF = 20 mA
REVERSE CURRENT			100/100	μA	VR=5V (GREEN), VR=5V (YELLOW)
CAPACITANCE		35/15		PF	VF=0 f=1MHZ

REV	ECR NO./DESCRIPTION	DATE
A	16196 KB NEW RELEASE	5/7/98
B	21516 RHW SEE NOTE 4 WAS SEE NOTE 3. REMOVED .062 (1.57) MAX DIMENSION.	03/19/02

(Q) FOR INSPECTION USE ONLY (X) SPC DOCUMENTATION REG. (X R CHARTS)		DIST. V/S	
PART NO.	4301F25/27	TITLE	
MODEL NO.	-	T-1 BI-COLOR LED	
MOLD NO.		CHICAGO MINIATURE LAMP INC. 147 CENTRAL AVE. HACKENSACK, NJ 07601	
MATERIAL:		DRAWN	K. BARRETT
FINISH:		CHECKED	
TOLERANCE UNLESS OTHERWISE SPECIFIED:		SCALE:	4 : 1
FRACTION $\pm 1/64$		ENG. APPRV	
INCHES .xx ± 0.010 (0.25)			
ANGLE .xxx ± 0.010 (0.25)			
ANGLE ± 1 deg.			
		B15162	REV B
		SHEET 1 OF 1	

DO NOT SCALE

THIS DWG IS THE PROPERTY OF CHICAGO MINIATURE LAMP INC. AND IS PROPRIETARY IN GENERAL AND IN DETAIL. IT SHALL NOT BE COPIED OR ITS CONTENTS REVEALED TO OUTSIDE PARTIES WITHOUT THE WRITTEN CONSENT OF CHICAGO MINIATURE LAMP INC.