



## Excellent Integrated System Limited

Stocking Distributor

Click to view price, real time Inventory, Delivery & Lifecycle Information:

[Visual Communications Company, LLC](#)  
[900-200](#)

For any questions, you can email us directly:

[sales@integrated-circuit.com](mailto:sales@integrated-circuit.com)

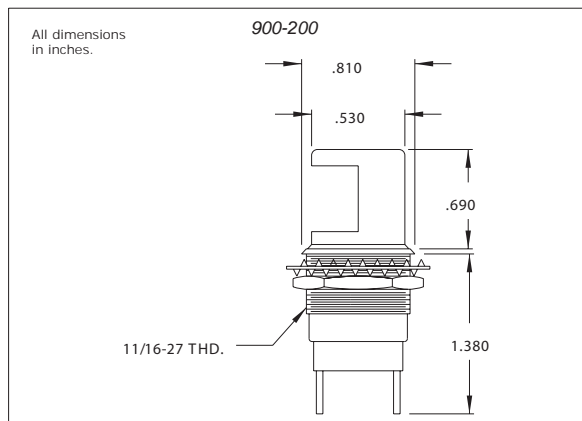
147 Central Avenue  
Hackensack, New Jersey 07601  
Tel: 201-489-8989 • Fax: 201-489-6911



**CHICAGO MINIATURE LAMP, INC.**  
WHERE INNOVATION COMES TO LIGHT

## Instrument Lite Relampable Indicator Lights

### DESCRIPTION AND FEATURES



These Chicago Miniature Lamp Instrument Lites are specifically designed to provide localized light for illuminating panels, meters, switches and legends. Two sizes are available to suit your specific illumination requirements. Both units feature highly reflective surfaces on the inside of their hoods to assure peak light output and are easily relamped from the front of the panel. The lamp is not included with this indicator light; please order the required lamp separately.

### SPECIFICATIONS

	900-200	900-006
Mounting Hole:	.688	1.00
Mounting Centers:	.969	1.410
Maximum Panel Thickness:	.406	.500
Housing/Material:	Black anodized aluminum	Nickel plated brass
Hood Material:	Black matte on aluminum	Nickel plated brass
Terminals:	Solder lug terminals	Brass screw terminal
Hex Nut:	Zinc Plated steel	Zinc plated steel
Lockwasher:	Chrome treated steel	Chrome treated steel
Electrical Rating:	up to 250 Volts, up to 3 Watts	up to 250 Volts, up to 3 Watts
Lamp Used:	T-2 or T-3 1/4 Miniature bayonet	S-6 or C-7 Candelabra screw

Chicago Miniature Lamp reserves the right to make specification revisions that enhance the design and/or performance of the product